

A black and white photograph of a coastal landscape. In the foreground, there are large, dark, textured rocks. The middle ground shows a rocky shoreline with several palm trees and some smaller, rounded trees. In the background, there are large, rugged mountains under a bright sky. The overall scene is misty or hazy, with a soft light source creating a lens flare effect.

OKHA

**Candle holders
&
ROC Ceramics**

ACCESSORIES

Candleholders

1. STRATOS design A, B, C, D mild steel
2. SUPER STRATOS design A, B, C, D brass
3. SUPER STELLAR brass
4. STELLAR BLUE oxidised mild steel
5. STELLAR GREEN oxidised mild steel

Ceramics

1. ROC Sculptures

STRATOS

detail type C

Waxed mild steel & carbon brushed oak

STRATOS

The two designs in the STRATOS collection are both totemic in design, structure and meaning.

The more angular design is inspired by Mayan iconography and ritual and the concept of paying homage and giving thanks for each new sunrise, the daily emergence of the spirit of life (light) at dawn each morning.

The second more curvaceous design visually conveys the perpetual shape shifting, metamorphosis of cloud structure and formation (hence STRATOS).



STRATOS



type C





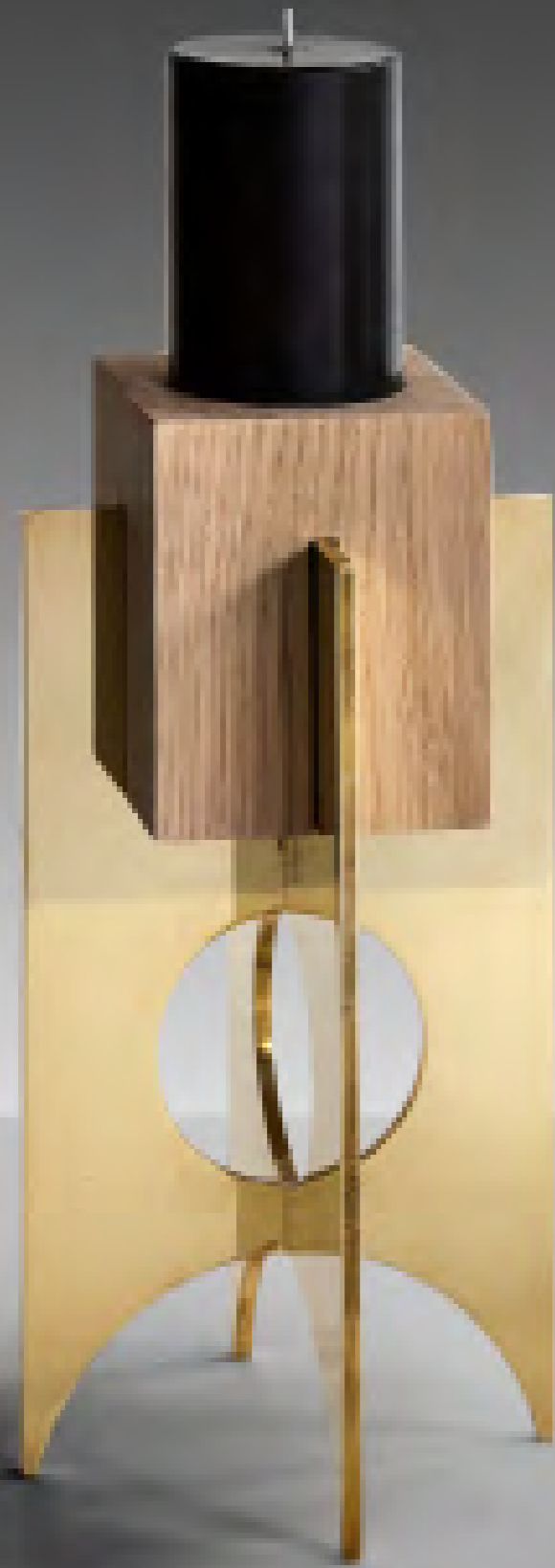
“Both designs and their inspiration explore the themes of mutation, change and the eternal cycle of life, death and rebirth.”

– Adam Court, OKHA

Physically, both structures illustrate this process; one face of each design is delicately and moderately worked whilst the opposing face is heavily transformed and in an advanced state of change / mutation / evolution; affirming that all things and all states coexist at once, rendering time without dimension, without meaning.



SUPERSTELLAR



type D



type A

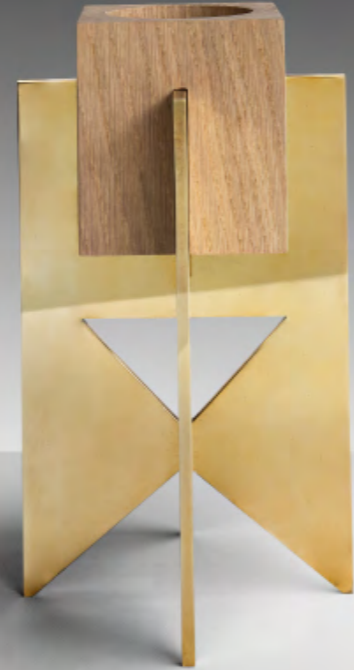
type B



Detail type C



type A



type B



type C



type D

SUPERSTELLAR

Why Stellar? Stars are the result of a heated compression of inter-relational forces: a fusion reaction resulting in the birth of a new star...the same description can be applied to many elements, including human nature; the often fascinating and unpredictable results of bringing opposing elements and forces together to give life to a new entity, form or perspective.

STELLARBLUE

“The dynamics of opposing forces; two intersecting planes collide to create new perspectives and alternative dimensions.”
– Adam Court, OKHA



type C



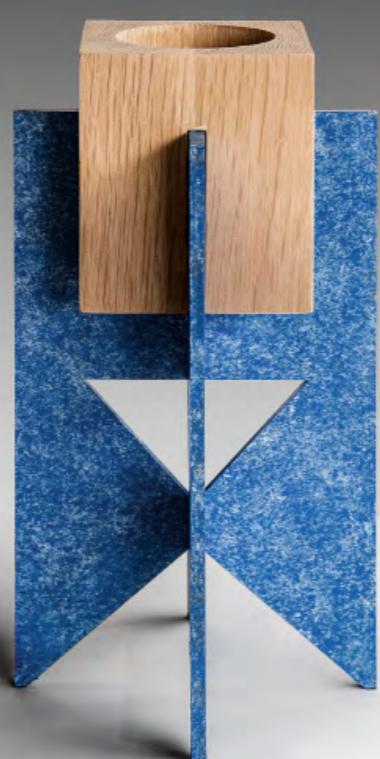
type D

STELLARGREEN

Oxidised mild steel & brushed oak



type A



type B



type A



type B

STELLARBLUE



type C



type D

STELLARGREEN



type C



type D

ROC ceramics



ROC

"Bheke"
ceramic and glase
320w X 240d X 500h



ROC ceramics

Metal oxide burnished ceramic



"Waz'uthando"
ceramic and glaze
280w x 240d x 280h

ROC

Chantel Woodman's
Rock Sculptures
evoke fossilised crystal
formations, they remind
us of the structural
order and disorder
embedded in nature.



"Ayanda"
ceramic and glaze
460w x 320d x 360h



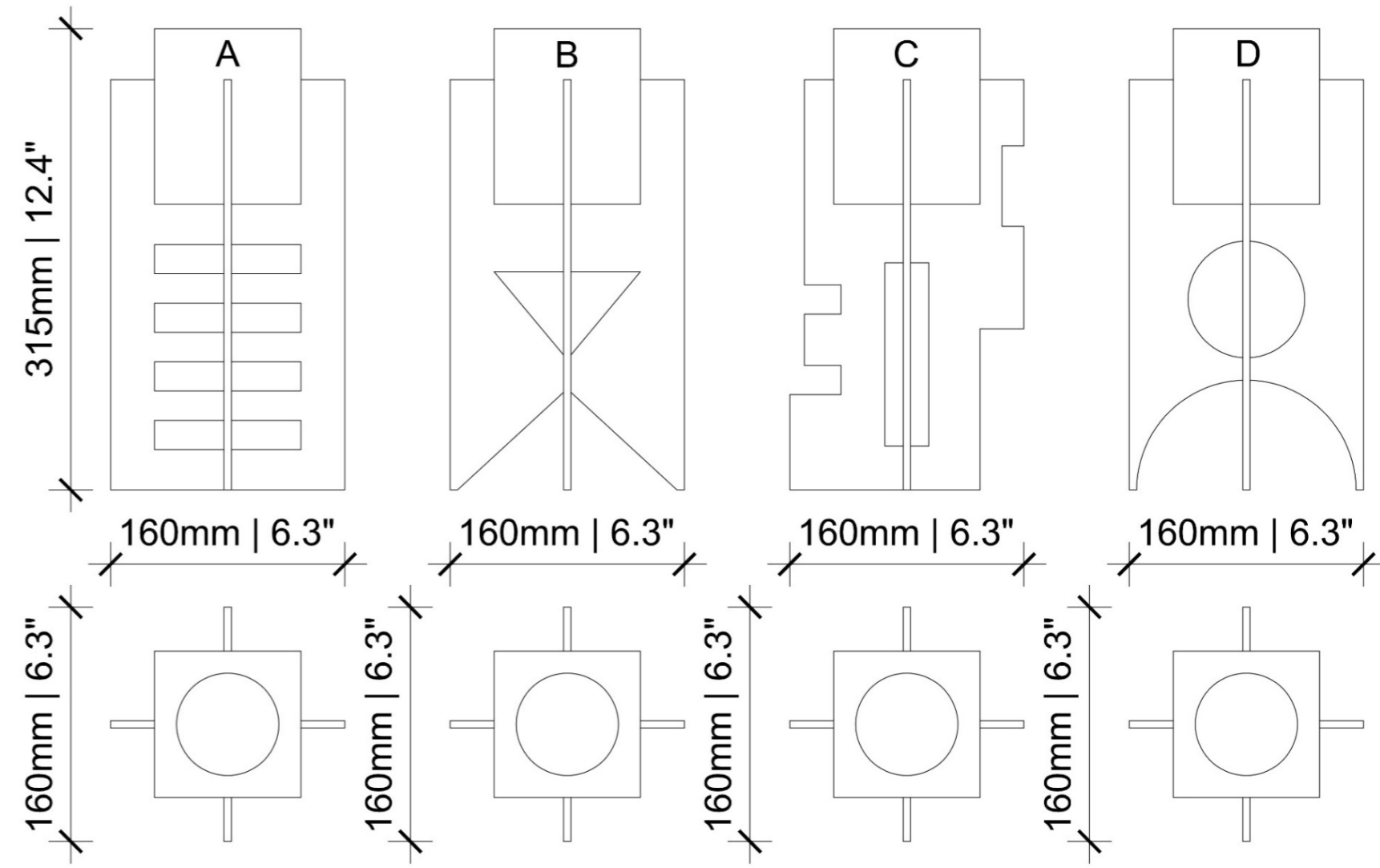
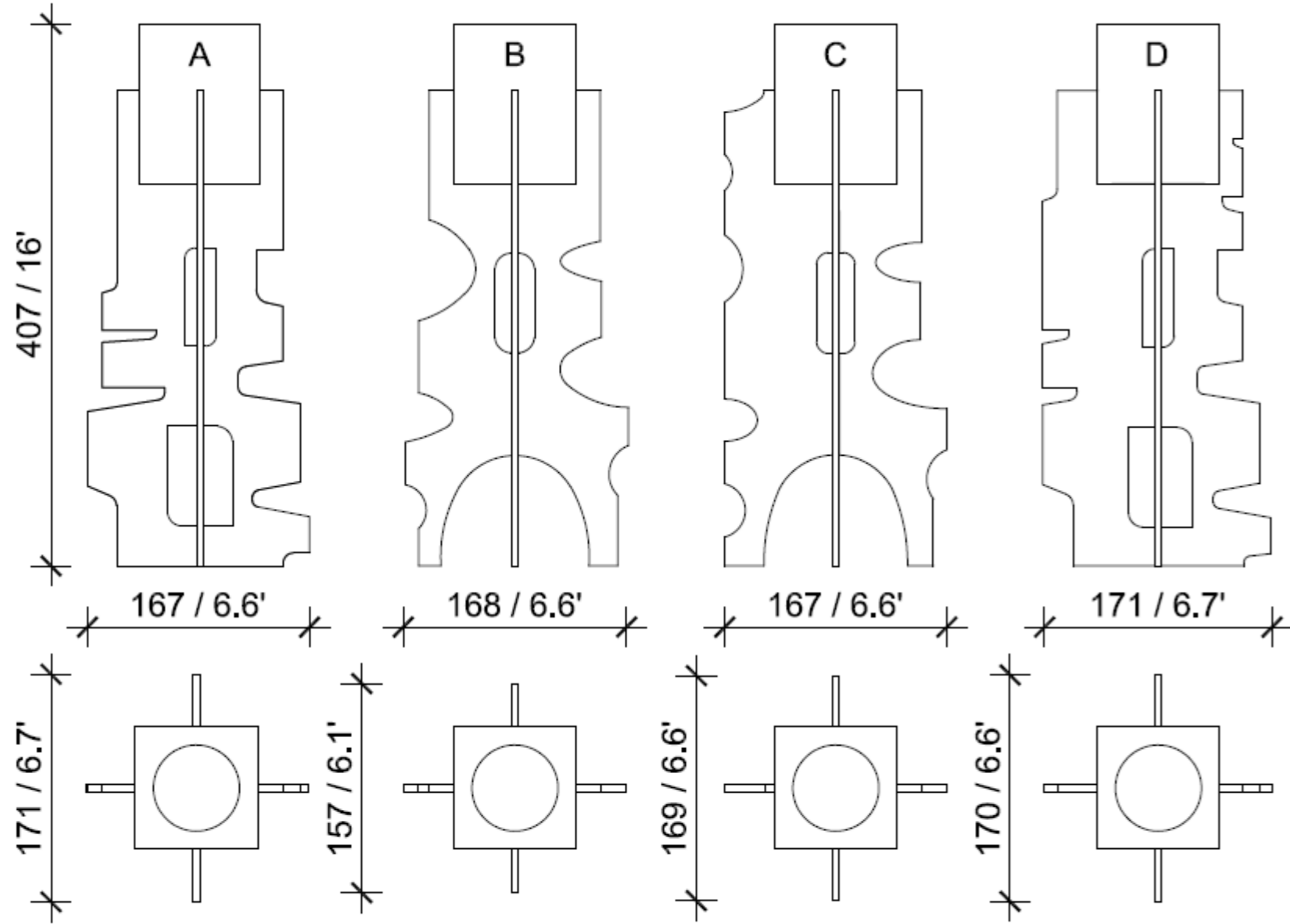
ROC dimensions

All pieces are hand made, one off works.

Sizing varies from: 500w x 400d x 400h to 280w x 240d x 280h

ROC

"Ayanda"
ceramic and glaze
460w x 320d x 360h



STRATOS & SUPERSTRATOS dimensions

STELLAR & SUPERSTELLAR dimensions

CREDITS

Photography

1. Adam Court
2. Niel Vosloo
3. Mickey Hoyle
4. Pete Maltbie

Text

1. Adam Court
2. Anastassia Meeran



OKHA
ACCESSORIES BY HAND

STUDIOTWENTYSEVEN

MIAMI + NEW YORK

 studiotwentyseven.com

 studio@studiotwentyseven.com

TWENTIETH

LOS ANGELES

 [Twentieth.net](https://twentieth.net)

 sales@twentieth.net

JEAN DE MERRY

CHICAGO + DALLAS

 jeandemerry.com

 request@jeandemerry.com

H&H STUDIO


DUBAI


 hhstudio.com

 sales@h-h.ae

HABACHY DESIGNS + ATELIER

ATLANTA

 habachydesigns.com

 showroom@habachydesigns.com

TOLLGARD DESIGN GROUP

LONDON

 tollgard.com

 info@tollgard.com

OKHA

CAPE TOWN



okha.com



info@okha.com



+27 21 461 7233


OKHA

CAPE TOWN

 okha.com

 info@okha.com


 +27 21 461 7233

 109 Hatfield Street
Gardens
Cape Town
8001
South Africa

STUDIOTWENTYSEVEN

MIAMI + NEW YORK

 studiotwentyseven.com

 studio@studiotwentyseven.com

 +1 305 613 9916


 STUDIOTWENTYSEVEN
(by appointment only)


H&H STUDIO

DUBAI

 hhstudio.com

 sales@h-h.ae

 +971 4 388 8803

 Sama Tower
Office 701
PO Box 333976
Dubai, UAE


TOLLGARD DESIGN GROUP

LONDON

 tollgard.com

 info@tollgard.com

 +44 (0) 2079526070

 Grosvenor
Waterside
Gatliff Road
SW1W 8QN
London

