



OKHA

CATALOGUE
2024

INDEX

Prices below are only an indication, and are subject to change at any time.

All prices exclude any transportation or storage costs.

OKHA does not extend discount to any Fabric or Leather where included.

COM Client own Material (Fabric)

COL Client own Leather

Export prices listed do not include tax/transport costs/duties/risk insurance etc.

Images are an indication only, and may differ from the final product and/or design.

TABLES & SURFACES

SEATING

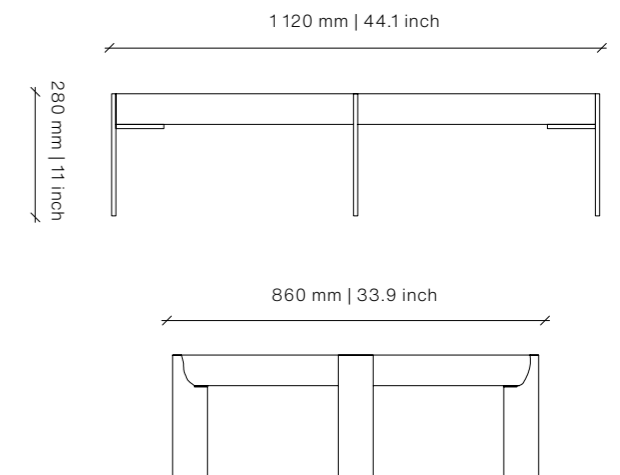
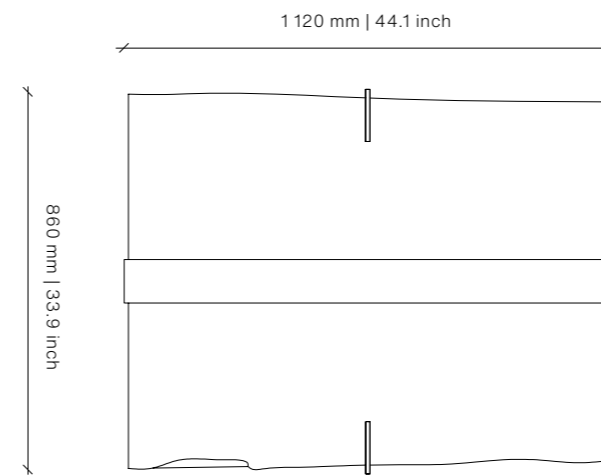
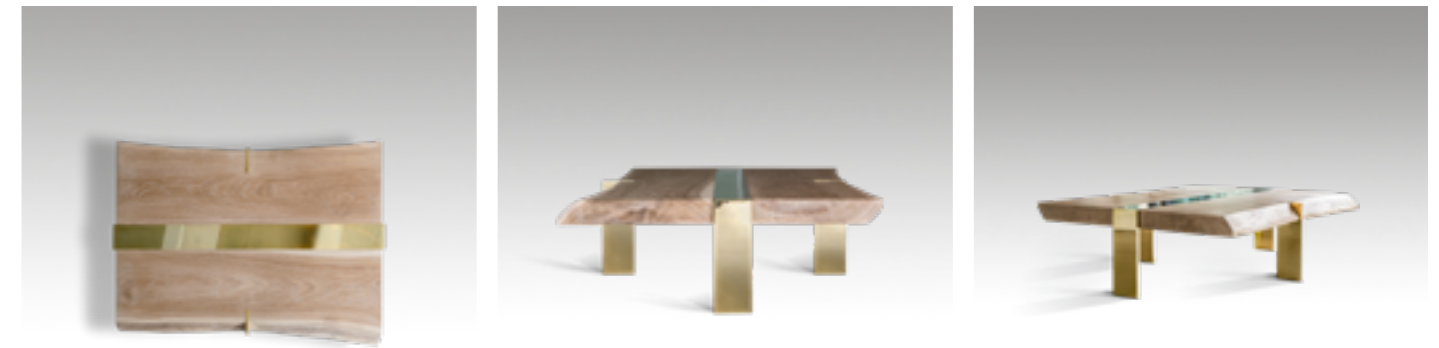
ADDITIONS

OTHER

ARTISANS Coffee Table (FABRICATED IN SOUTH AFRICA)

DESIGN BY OKHA

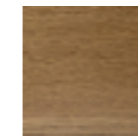
COFFEE TABLES



Top



Natural Ash



French Oak

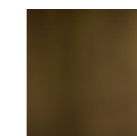
Base



Polished Brass



Brushed Brass



Brushed & Oxidized Brass

Dimensions (mm)

1120W x 860D x 280H

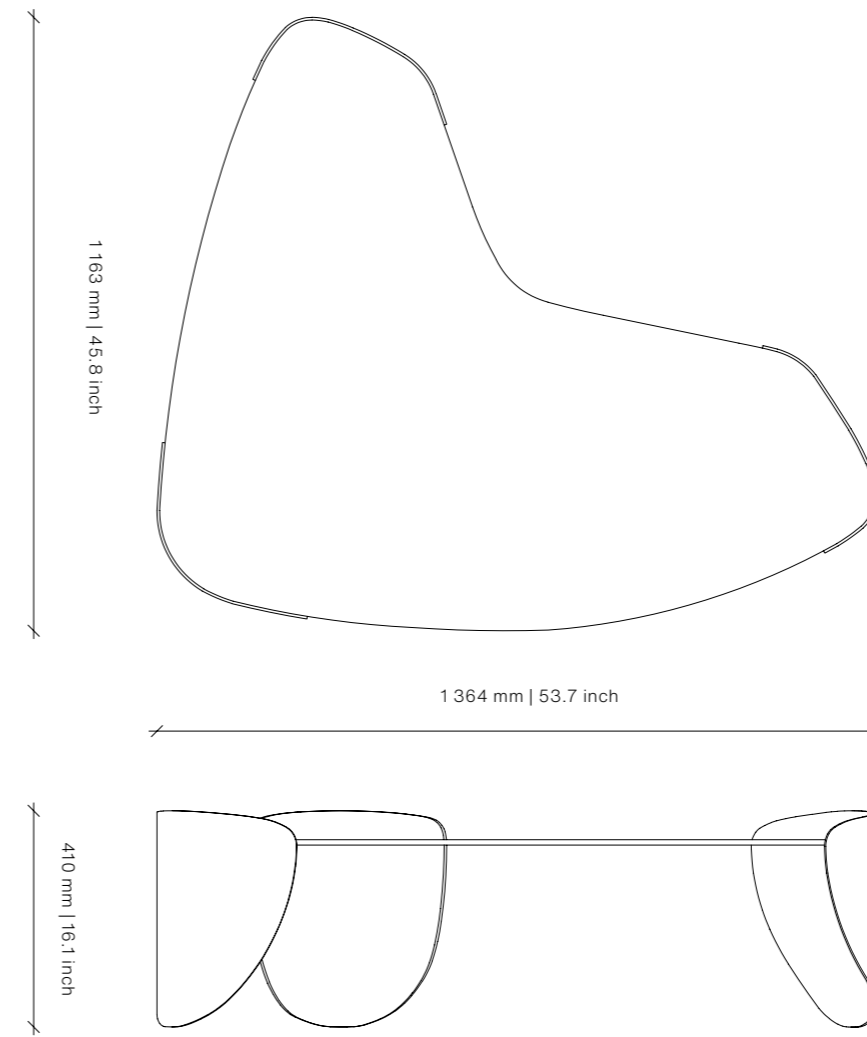
Dimensions (inches)

44.1W x 33.9D x 11H



LAGUNA Coffee Table

DESIGN BY OKHA



Base



Blackened
Mild Steel

Polished
Stainless Steel

Dimensions (mm)

1364W x 1163D x 410H

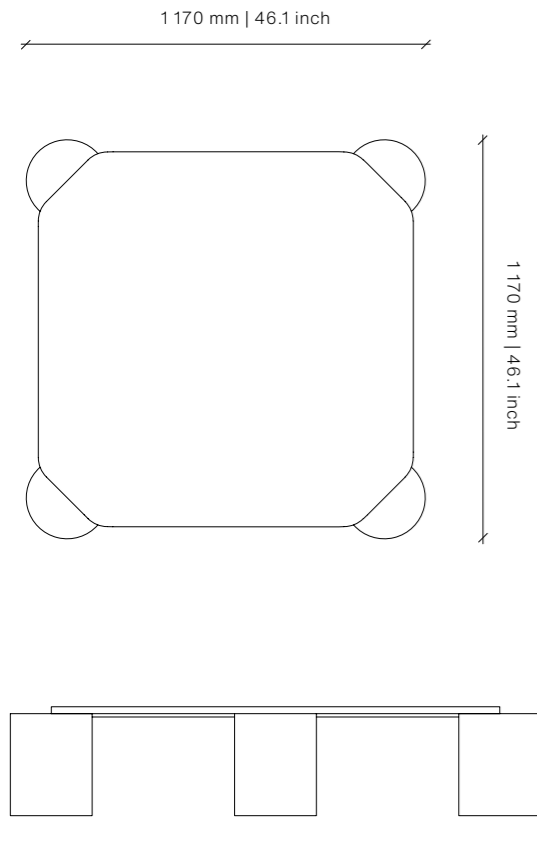
Dimensions (inches)

53.7W x 45.8D x 16.1H

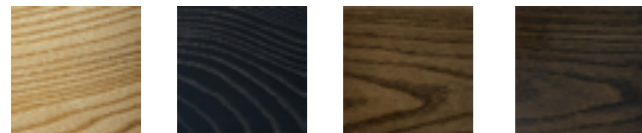
OKHA

MAGNIFICO Coffee Table (FABRICATED IN SOUTH AFRICA)

DESIGN BY OKHA

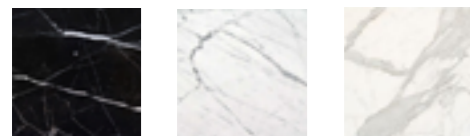


Base



Natural Ash Carbon Ash Dark Java Ash Mocca Ash

Top

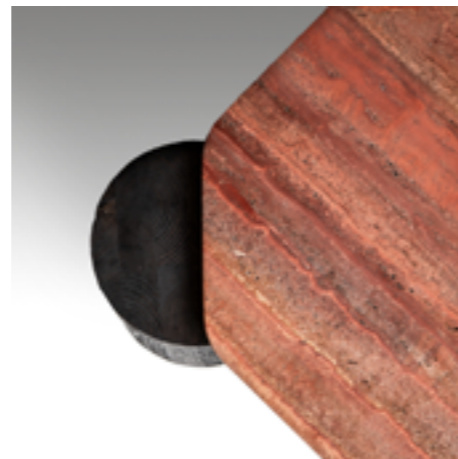


Nero Marquina Carrara Calacatta Venato

Custom marble available upon request

Dimensions (mm)
1170W x 1170D x 320H

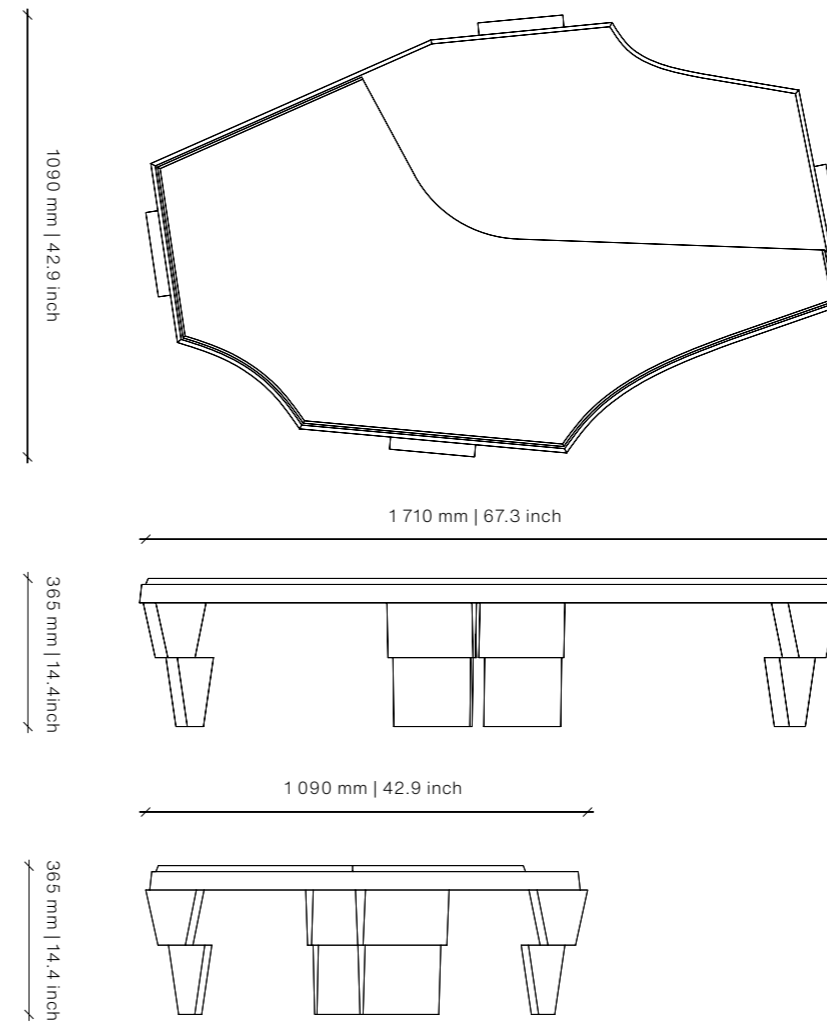
Dimensions (inches)
46.1W x 46.1D x 12.6H



OKHA

MESA Coffee Table (FABRICATED IN SOUTH AFRICA)

DESIGN BY OKHA



Top



Saligna Cypress

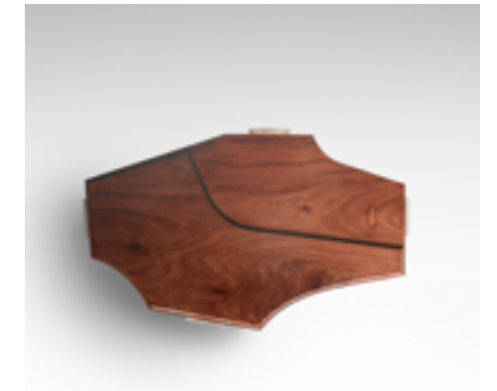
Base



Polished Aluminium

Dimensions (mm)
1710W x 1090D x 365H

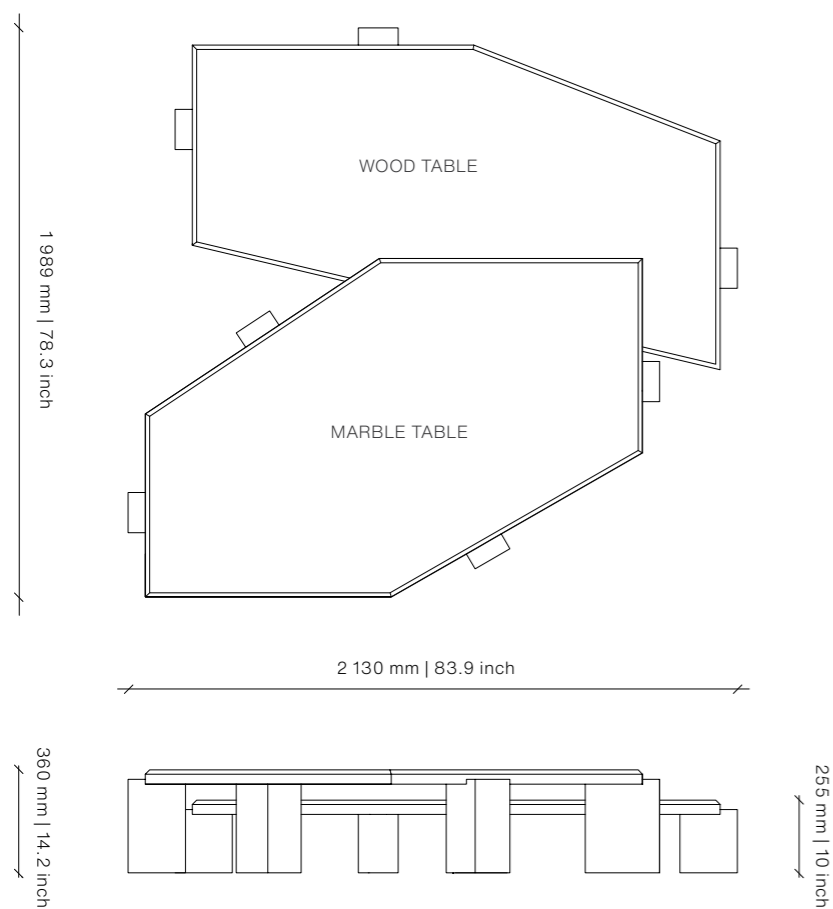
Dimensions (inches)
67.3W x 42.9D x 14.4H



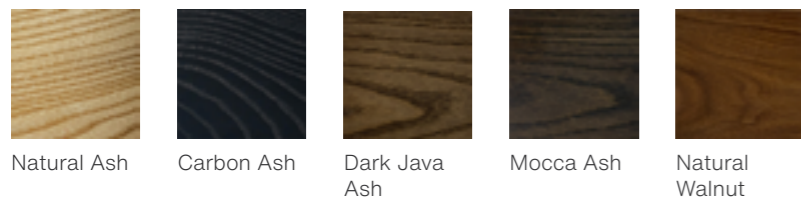
OKHA

MODROCK Coffee Table

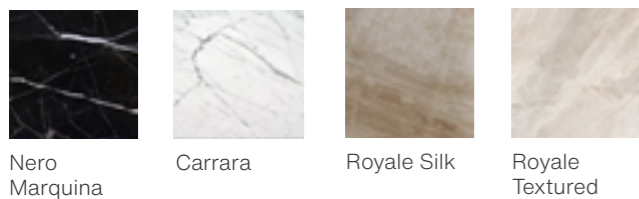
DESIGN BY OKHA



Base



Base



Custom marble available upon request

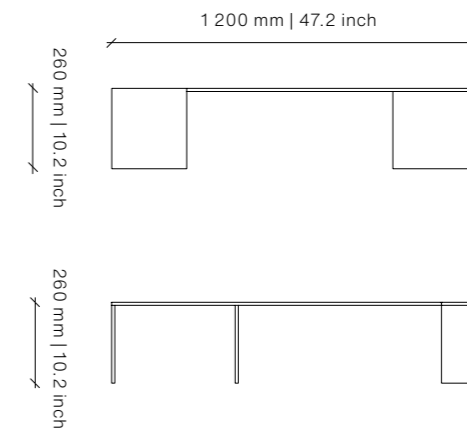
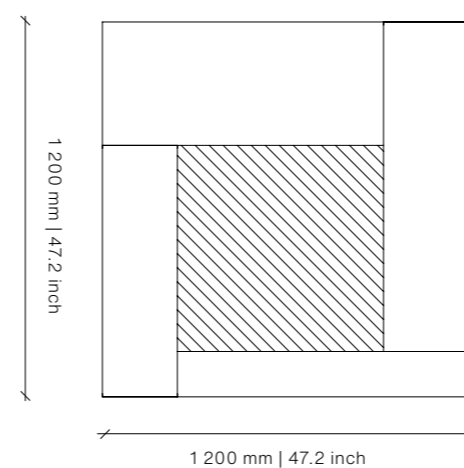
Dimensions (mm)
2130W x 1989D x 360H

Dimensions (inches)
83.9W x 78.3D x 14.2H

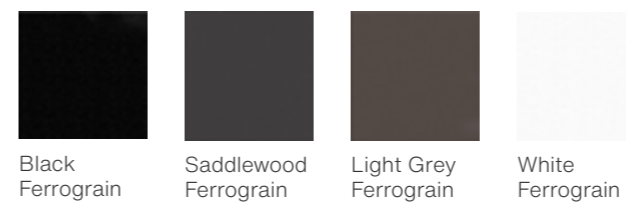


MONDO Coffee Table

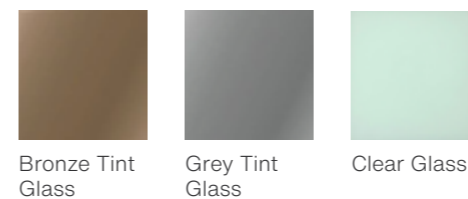
DESIGN BY OKHA



Base



Insert



Dimensions (mm)
1200W x 1200D x 260H

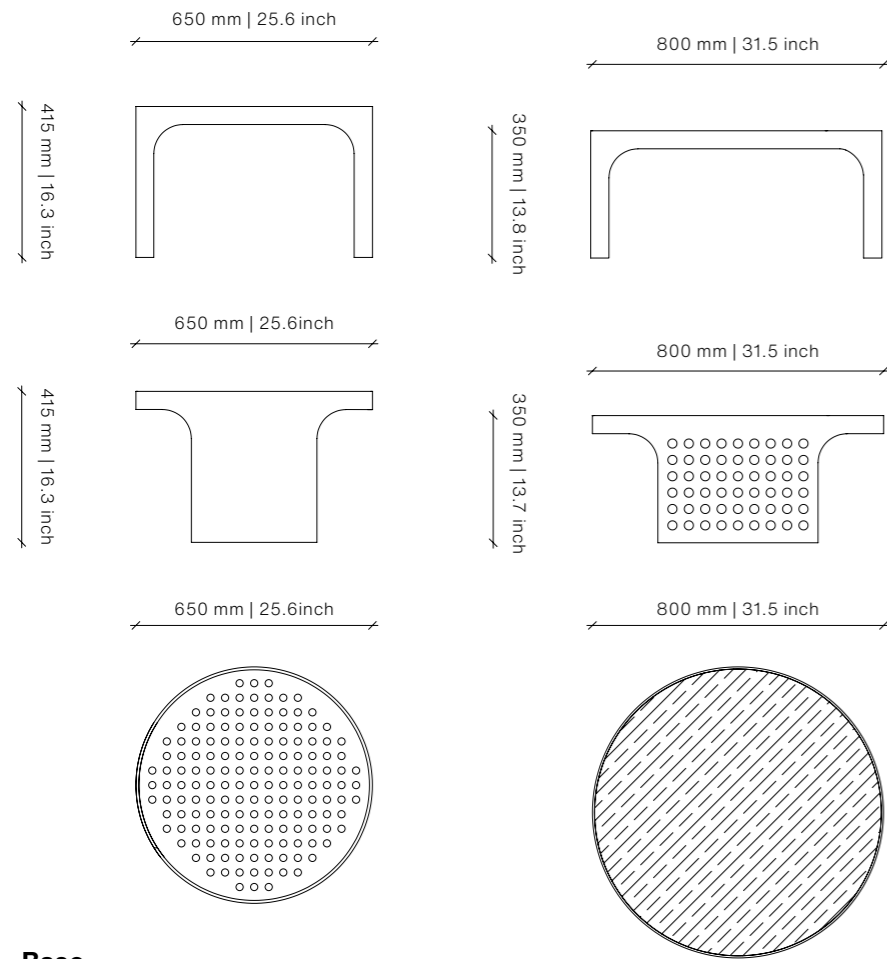
Dimensions (inches)
47.2W x 47.2D x 10.2H

OKHA

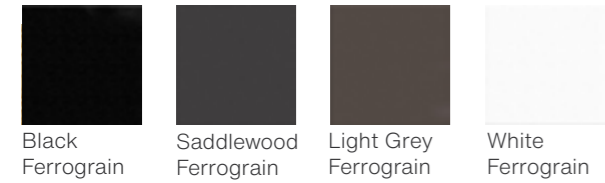
OKHA

SILO NESTING Coffee Table

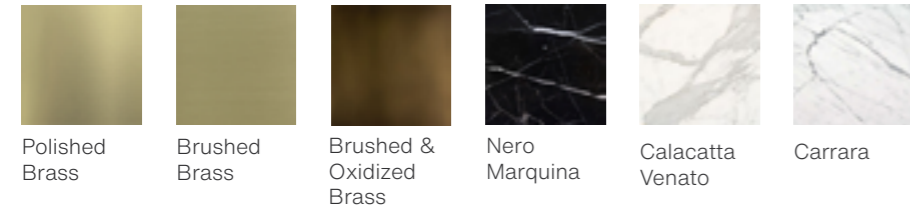
DESIGN BY OKHA



Base



650DIA Top



800DIA Top



Custom marble available upon request

Dimensions (mm)

800DIA x 350H
650DIA x 415H

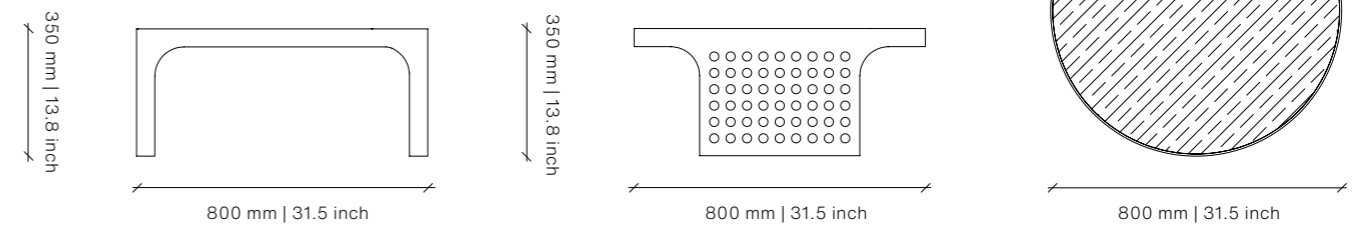
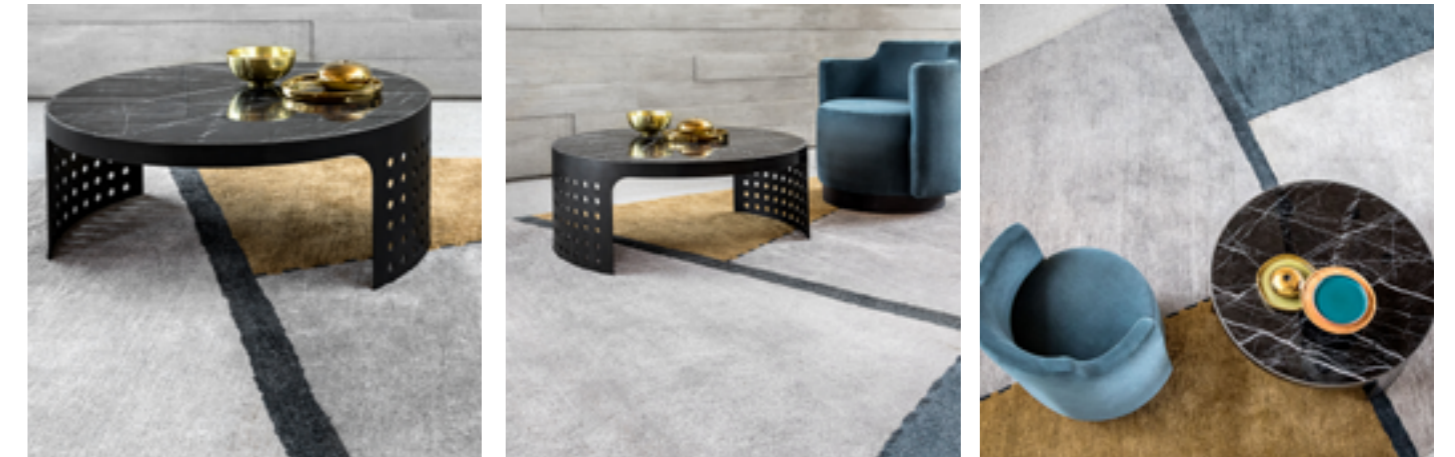
Dimensions (inches)

31.5 DIA x 13.8H
25.6 DIA x 16.3H

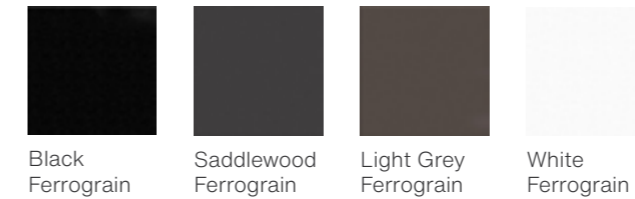
OKHA

SILO LARGE Coffee Table

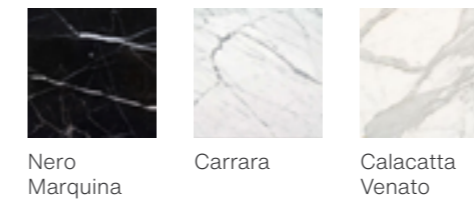
DESIGN BY OKHA



Base



Top



Custom marble available upon request

Dimensions (mm)

800DIA x 350H

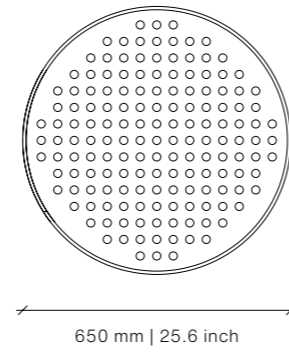
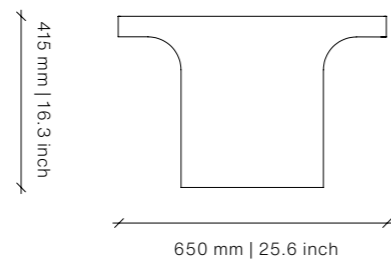
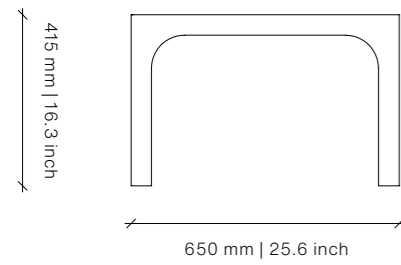
Dimensions (inches)

31.5DIA x 13.8H

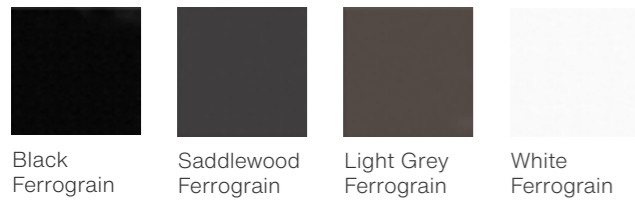
OKHA

SILO SMALL Coffee Table

DESIGN BY OKHA



Base



Top

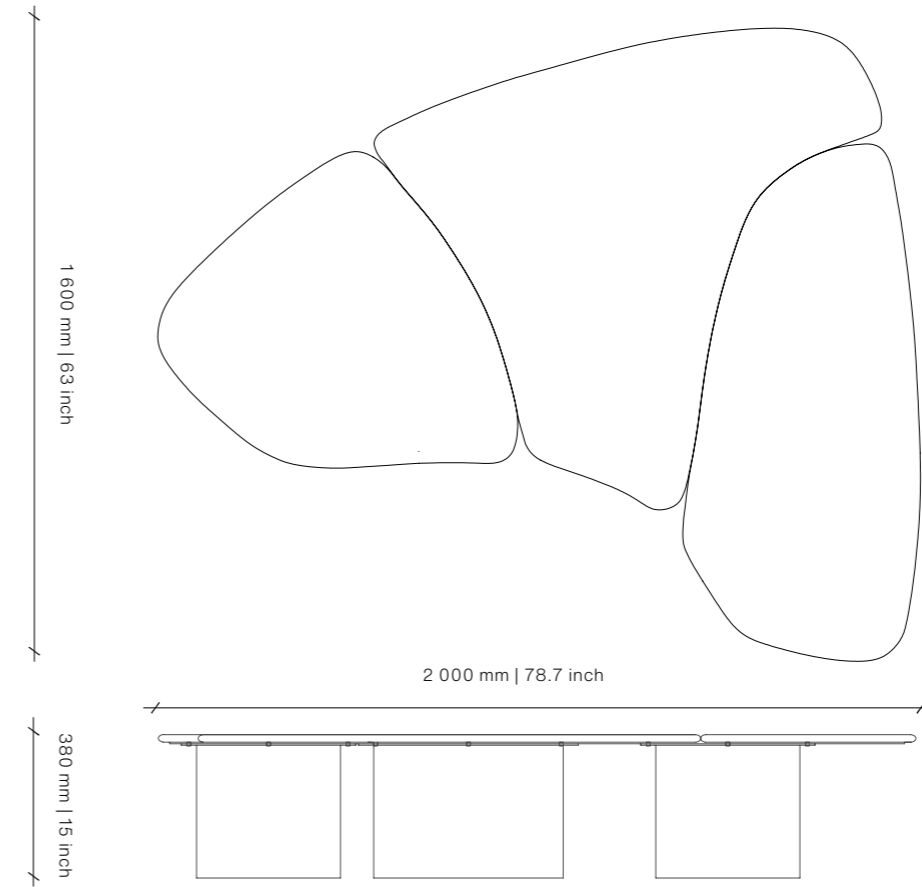


Dimensions (mm)
650DIA x 415H

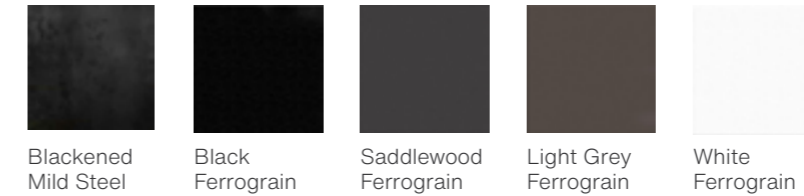
Dimensions (inches)
25.6DIA x 16.3H

TECTRA Coffee Table

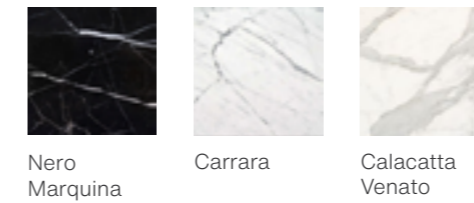
DESIGN BY OKHA



Base



Top



Dimensions (mm)
2000W x 1600D x 380H

Dimensions (inches)
78.7W x 63D x 15H

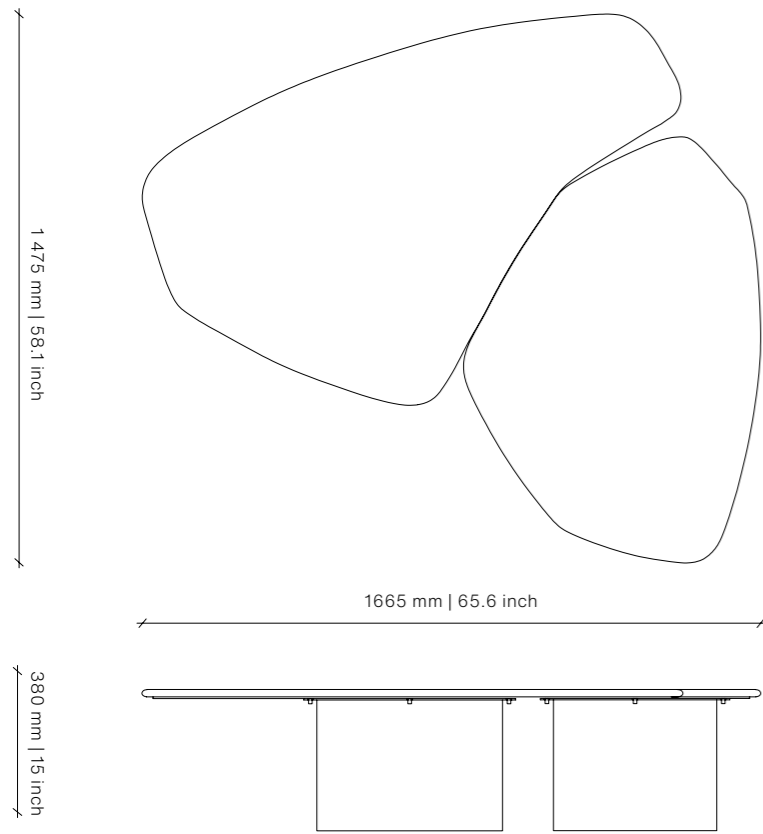
Custom marble available upon request

OKHA

OKHA

TECTRA 2 Coffee Table

DESIGN BY OKHA



DINING TABLES

Base



Blackened
Mild Steel

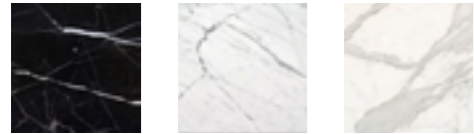
Black
Ferrograin

Saddlewood
Ferrograin

Light Grey
Ferrograin

White
Ferrograin

Top



Nero
Marquina

Carrara

Calacatta
Venato

Custom marble available upon request

Dimensions (mm)

1665W x 1475D x 380H

Dimensions (inches)

65.6W x 58.1D x 15H

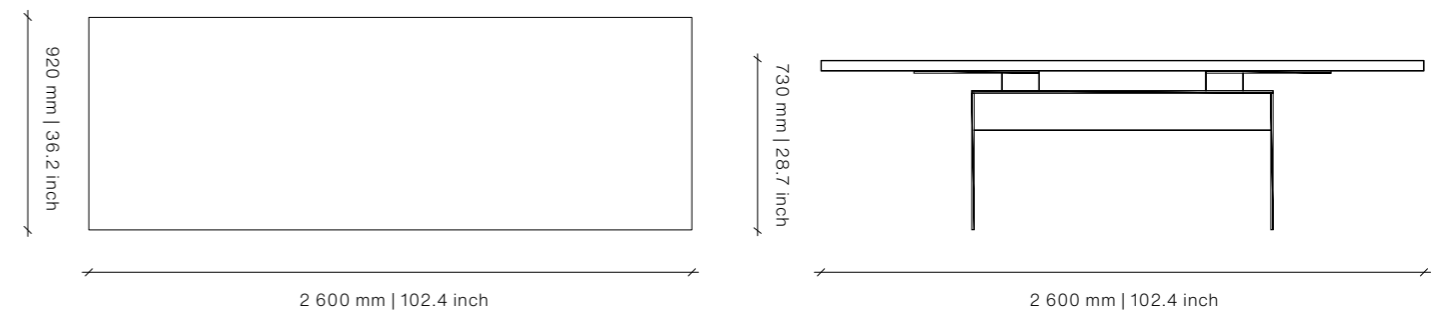
OKHA

OKHA



BISON Dining Table

DESIGN BY OKHA



Top



Natural Ash

Carbon Ash

Dark Java
Ash

Mocca Ash

Natural
Walnut

Base



Black
Ferrograin

Saddlewood
Ferrograin

Light Grey
Ferrograin

White
Ferrograin

Dimensions (mm)

2600W x 920D x 730H

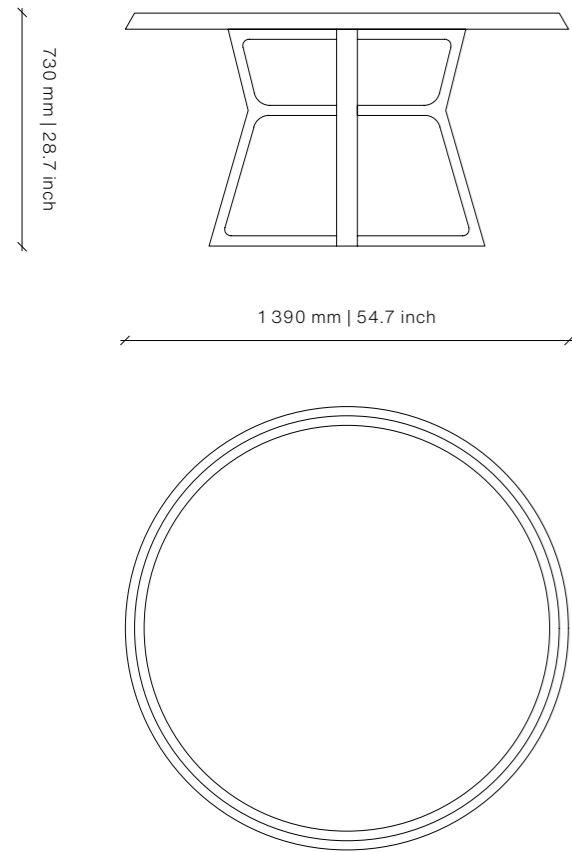
Dimensions (inches)

102.4W x 36.2D x 28.7H

OKHA

LONDON Dining Table

DESIGN BY OKHA



Top



Bronze Tint Mirror Grey Tint Mirror Clear Mirror

Base



Natural Ash Carbon Ash Dark Java Ash Mocca Ash Natural Walnut

Dimensions (mm)
1390DIA x 730H

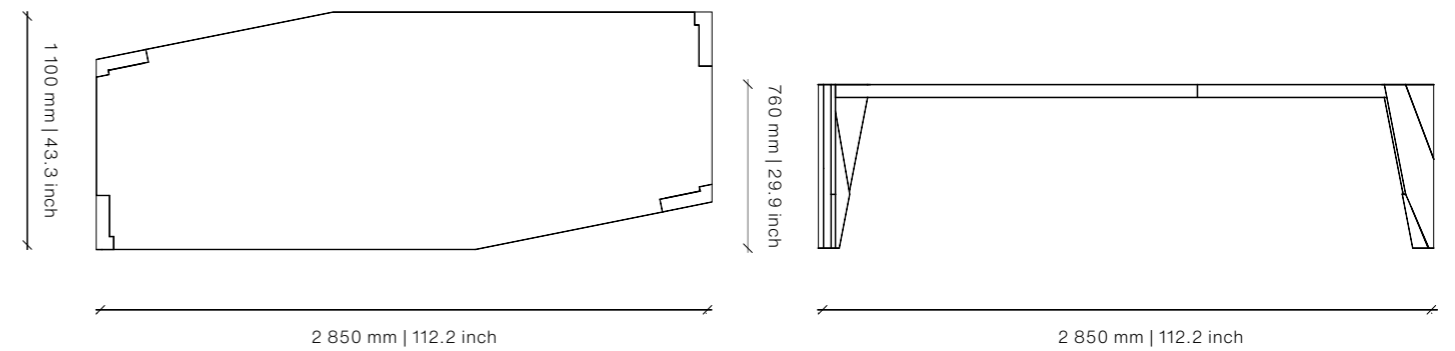
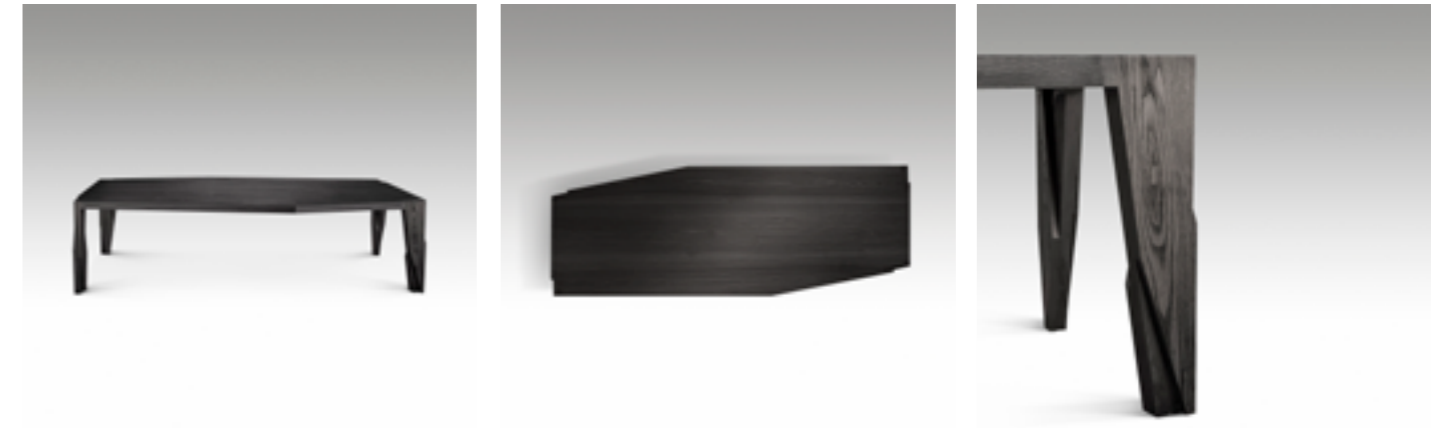
Dimensions (inches)
54.7DIA x 28.7H



OKHA

MORAMOUR Dining Table

DESIGN BY OKHA



Base



Natural Ash Carbon Ash Dark Java Ash Mocca Ash Natural Walnut

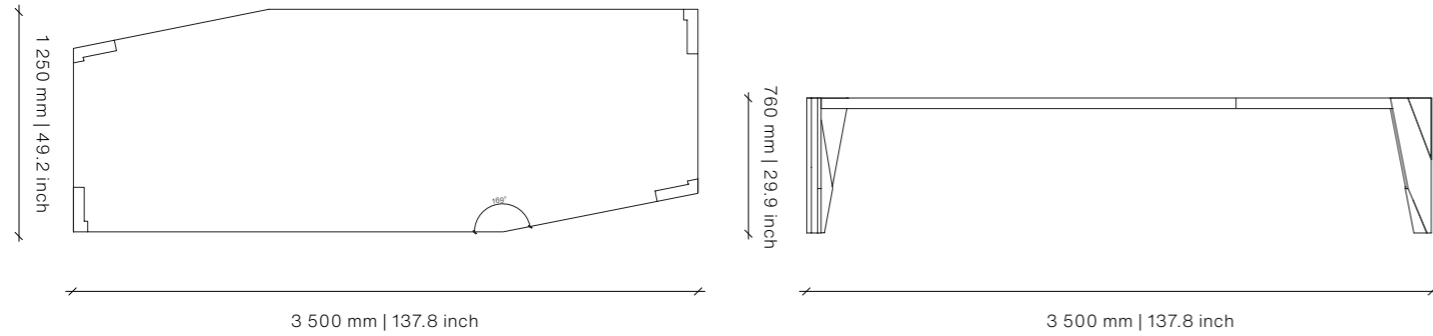
Dimensions (mm)
2850W x 1100D x 760H

Dimensions (inches)
112.2W x 43.3D x 29.9H

OKHA

MORAMOUR 8 SEATER Dining Table

DESIGN BY OKHA



Base



Natural Ash Carbon Ash Dark Java Ash Mocca Ash Natural Walnut

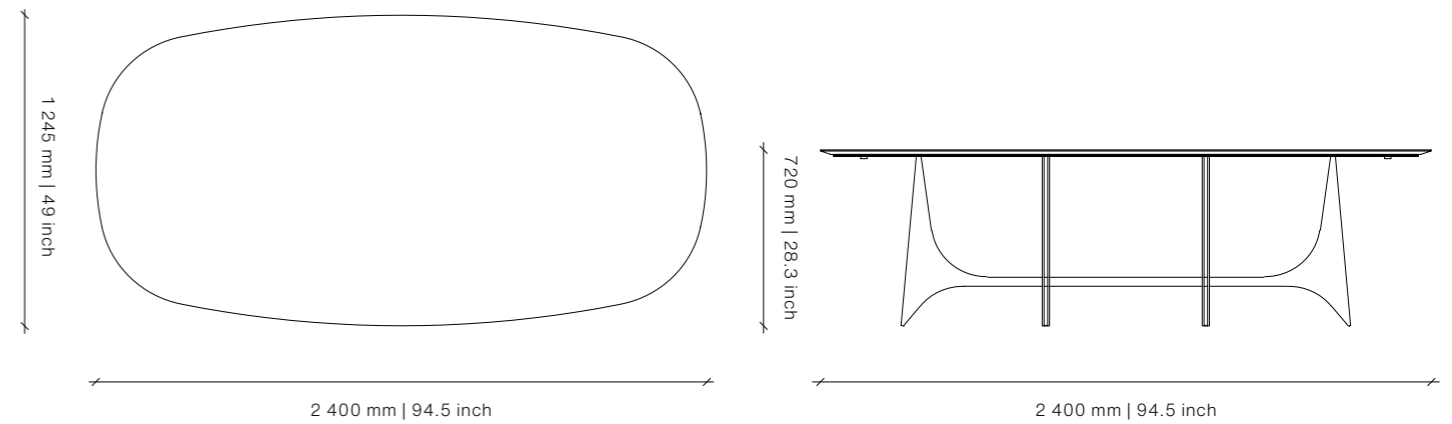
Dimensions (mm)
3500W x 1250D x 760H

Dimensions (inches)
137.8W x 49.2D x 29.9H

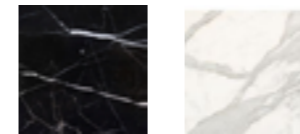
OKHA

PLANALTO Dining Table

DESIGN BY OKHA



Top



Nero Marquina Calacatta Venato

Base



Black Ferrograin Saddlewood Ferrograin Light Grey Ferrograin White Ferrograin

Custom marble available upon request

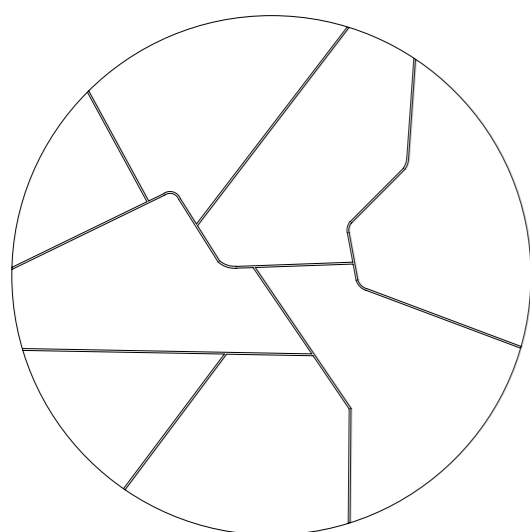
Dimensions (mm)
2400W x 1245D x 720H

Dimensions (inches)
94.5W x 49D x 28.3H

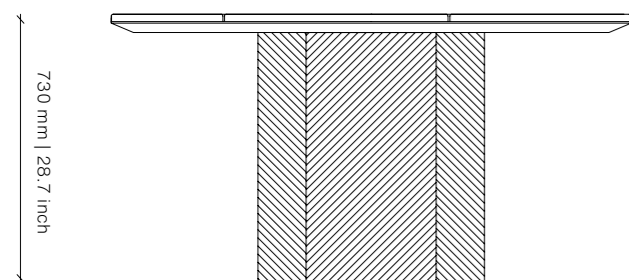
OKHA

PROXIMA Dining Table (FABRICATED IN SOUTH AFRICA)

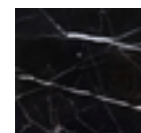
DESIGN BY OKHA



1 400 mm | 55.1 inch

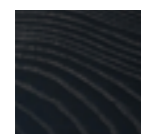


Top



Nero Marquina

Base



Carbon Ash



Natural Ash



Dark Java Ash

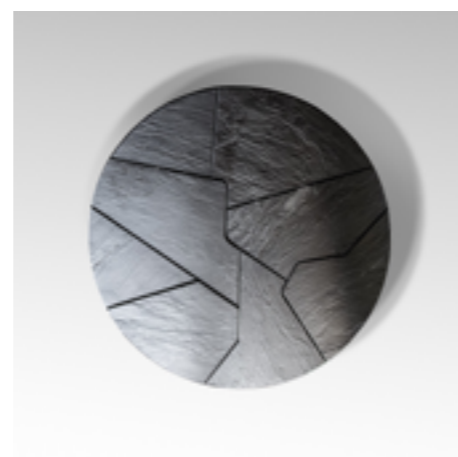


Mocca Ash

Custom marble available upon request

Dimensions (mm)
1400DIA x 730H

Dimensions (inches)
55.1DIA x 28.7H

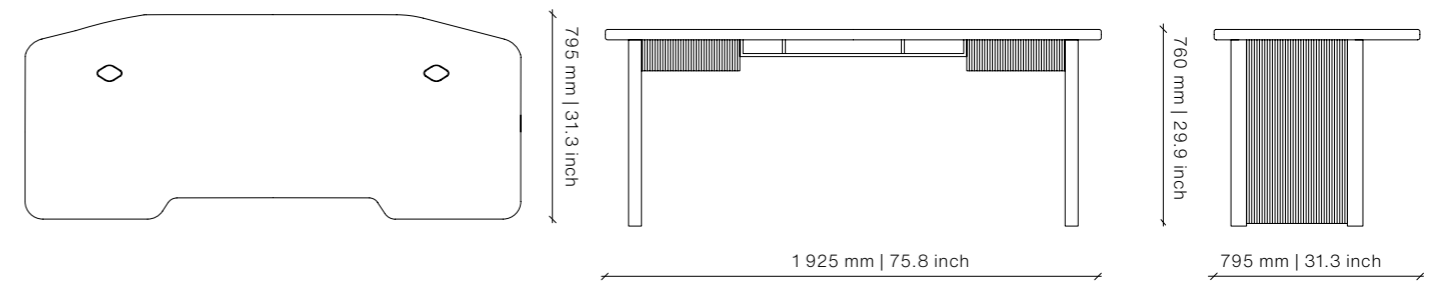


OKHA

DESKS

GEOMETER Desk

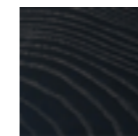
DESIGN BY OKHA



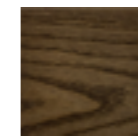
Base



Natural Ash



Carbon Ash



Dark Java
Ash



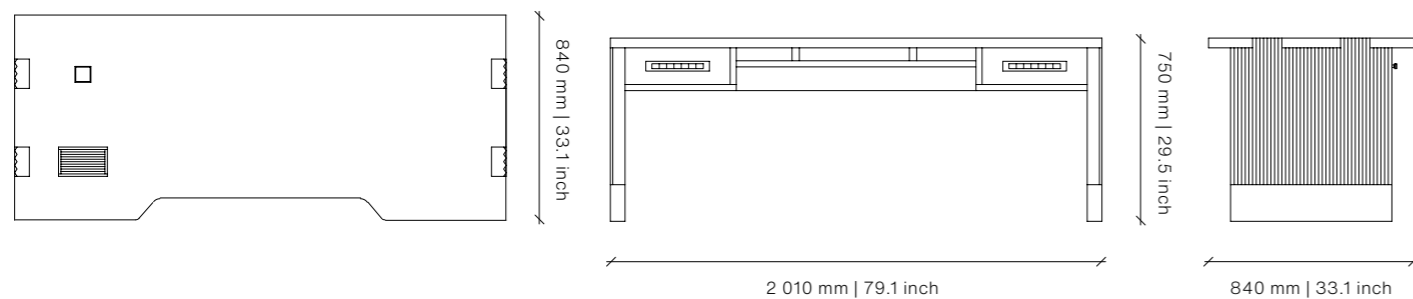
Mocca Ash

Dimensions (mm)
1925W x 795D x 760H

Dimensions (inches)
75.8W x 31.3D x 29.9H

GEOMETER II Desk

DESIGN BY OKHA

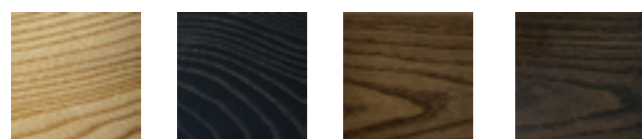


Inserts



Polished Brass Brushed Brass Brushed & Oxidised Brass

Base



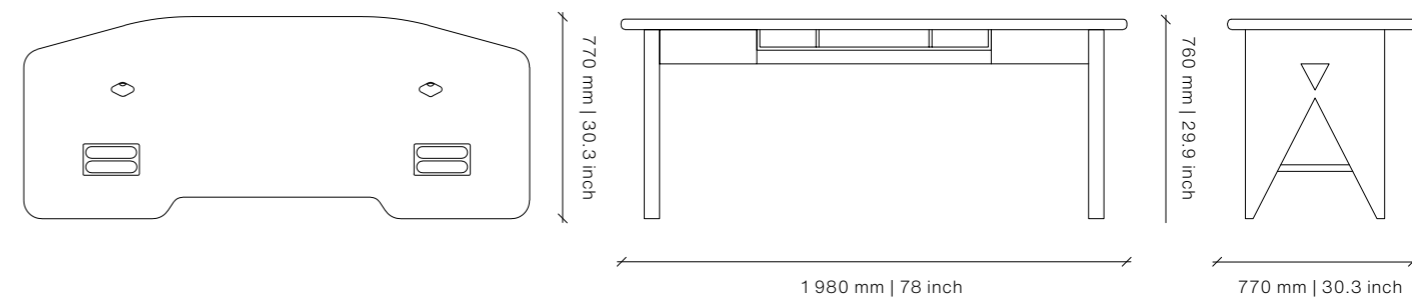
Natural Ash Carbon Ash Dark Java Ash Mocca Ash

Dimensions (mm)
2010W x 840D x 750H

Dimensions (inches)
79.1W x 33.1D x 29.5H

GEOMETER III Desk

DESIGN BY OKHA

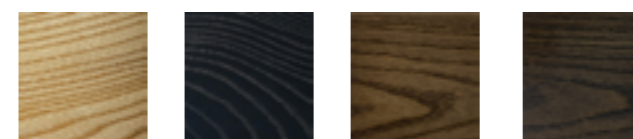


Inserts



Polished Brass Brushed Brass Polished Copper

Base



Natural Ash Carbon Ash Dark Java Ash Mocca Ash

Dimensions (mm)
1980W x 770D x 760H

Dimensions (inches)
78W x 30.3D x 29.9H

OKHA

OKHA

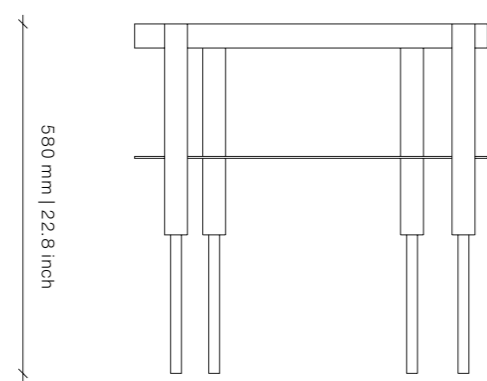
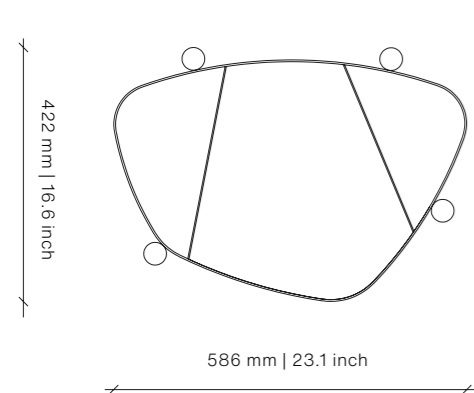
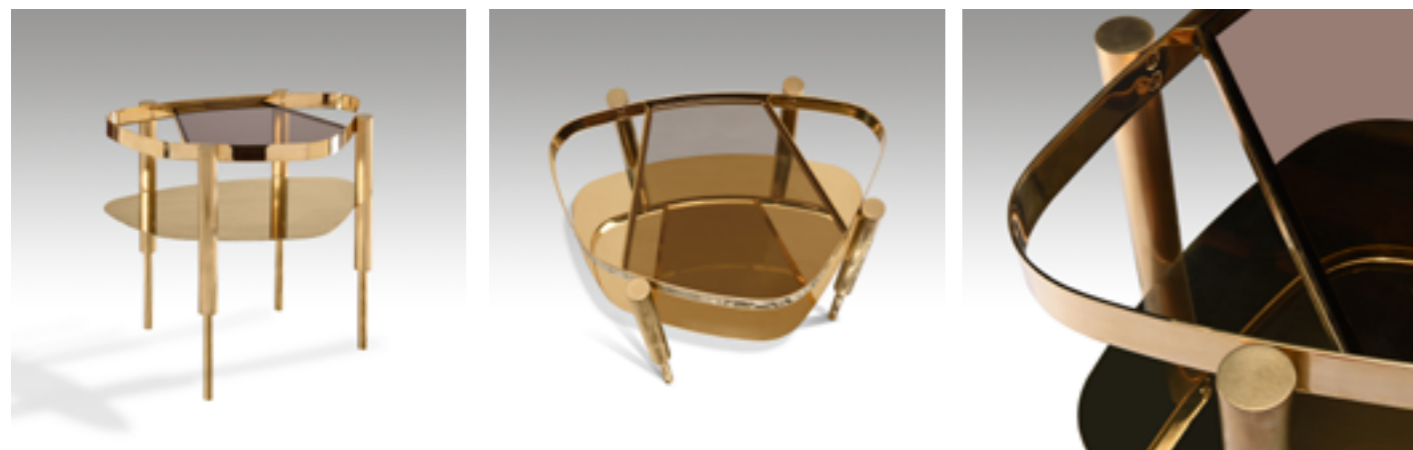


SIDE TABLES

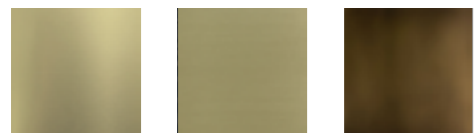
OKHA

BIJOU Side Table

DESIGN BY OKHA



Frame



Polished Brass Brushed Brass Brushed & Oxidized Brass

Insert



Bronze Tint Glass Grey Tint Glass Clear Glass Nero Marquina Calacatta Venatto Carrara

Custom marble available upon request

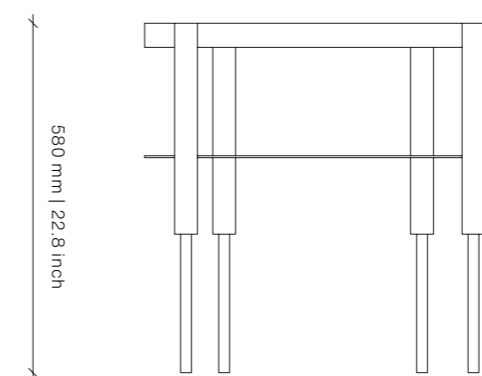
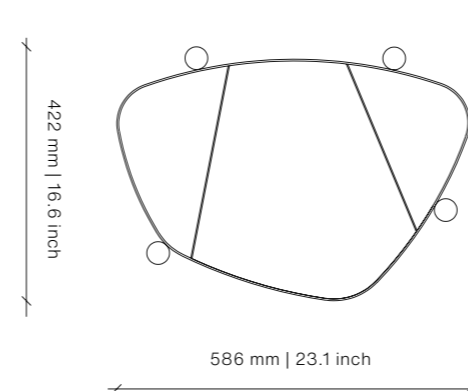
Dimensions (mm)
586W x 422D x 580H

Dimensions (inches)
23.1W x 16.6D x 22.8H

OKHA

BIJOU BLACK Side Table

DESIGN BY OKHA

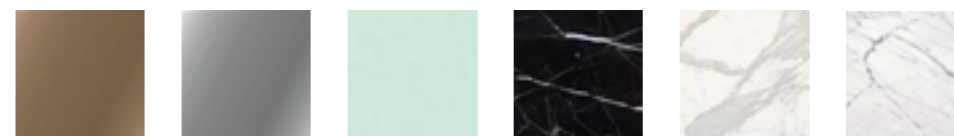


Frame



Blackened Mild Steel

Insert



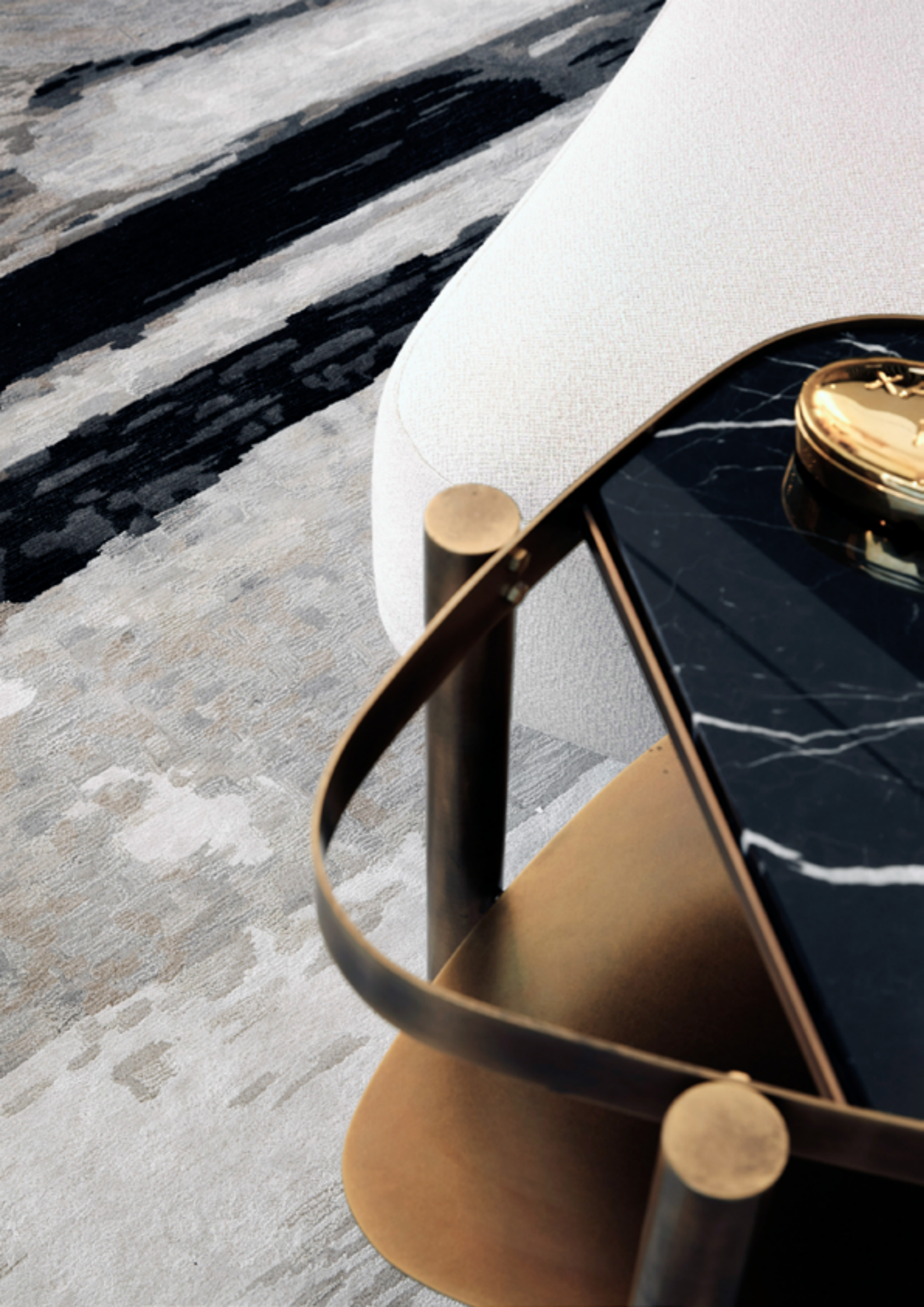
Bronze Tint Glass Grey Tint Glass Clear Glass Nero Marquina Calacatta Venatto Carrara

Custom marble available upon request

Dimensions (mm)
586W x 422D x 580H

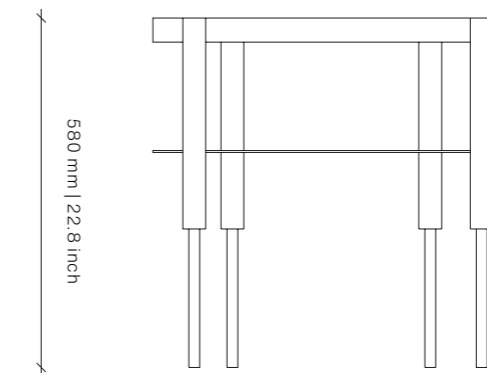
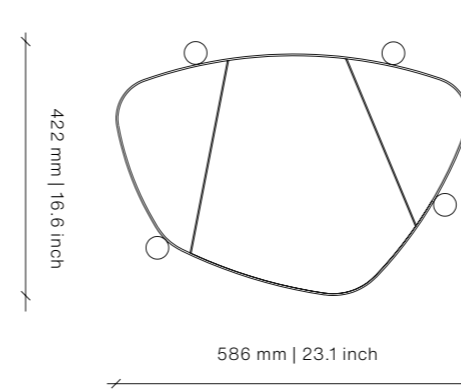
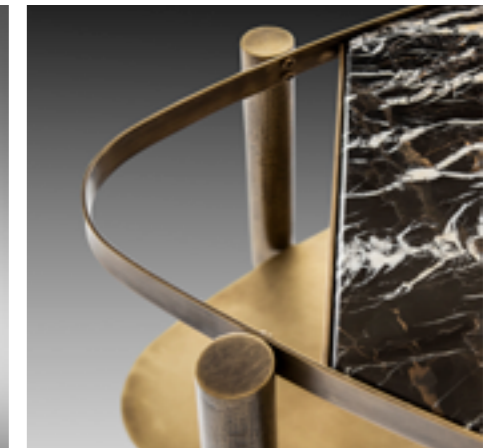
Dimensions (inches)
23.1W x 16.6D x 22.8H

OKHA



BIJOU MARBLE Side Table

DESIGN BY OKHA

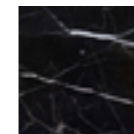


Frame



Hammered Brass

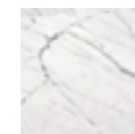
Insert



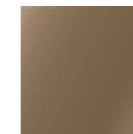
Nero Marquina



Calacatta Venatto



Carrara



Bronze Tint Glass



Grey Tint Glass



Clear Glass

Custom marble available upon request

Dimensions (mm)

586W x 422D x 580H

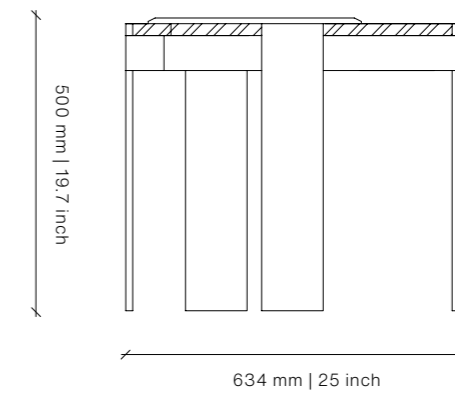
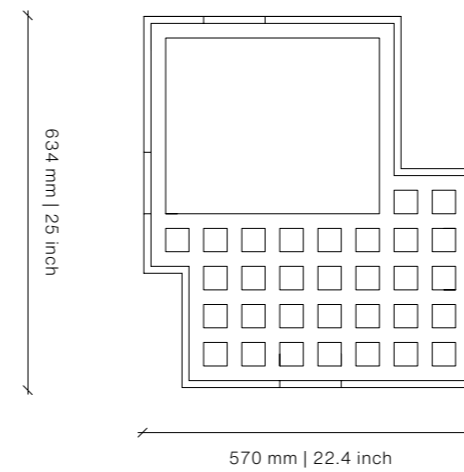
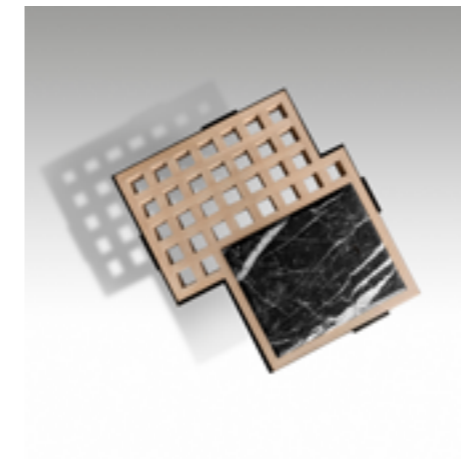
Dimensions (inches)

23.1W x 16.6D x 22.8H



COMPOSITION Side Table

DESIGN BY OKHA



Base



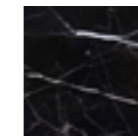
Blackened Mild Steel

Top

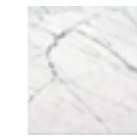


Natural Ash

Insert



Nero Marquina



Carrara



Blackened Mild Steel

Custom marble available upon request

Dimensions (mm)

570W x 634D x 500H

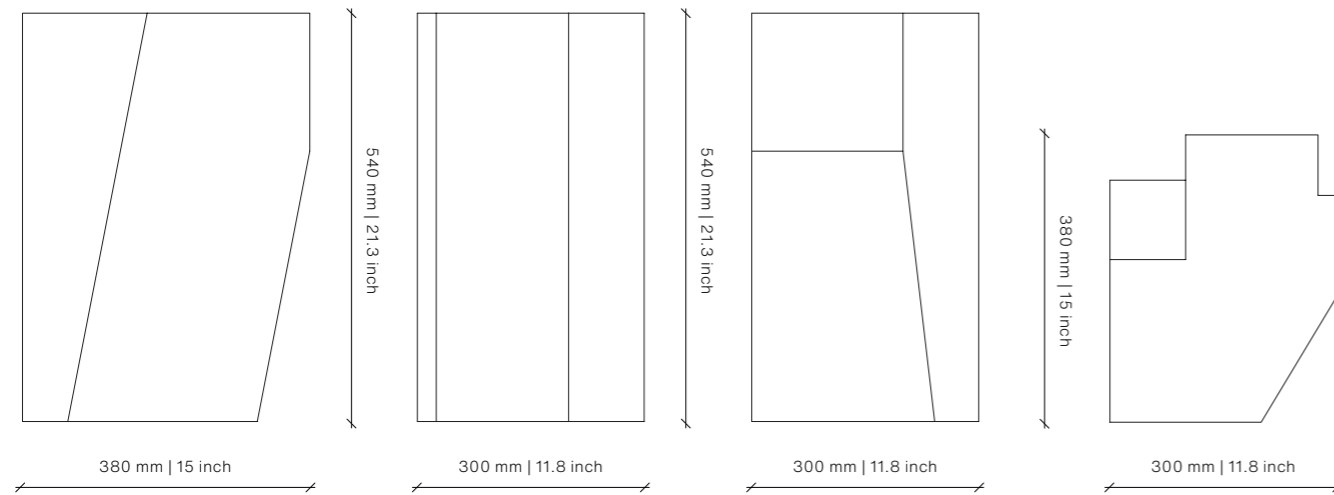
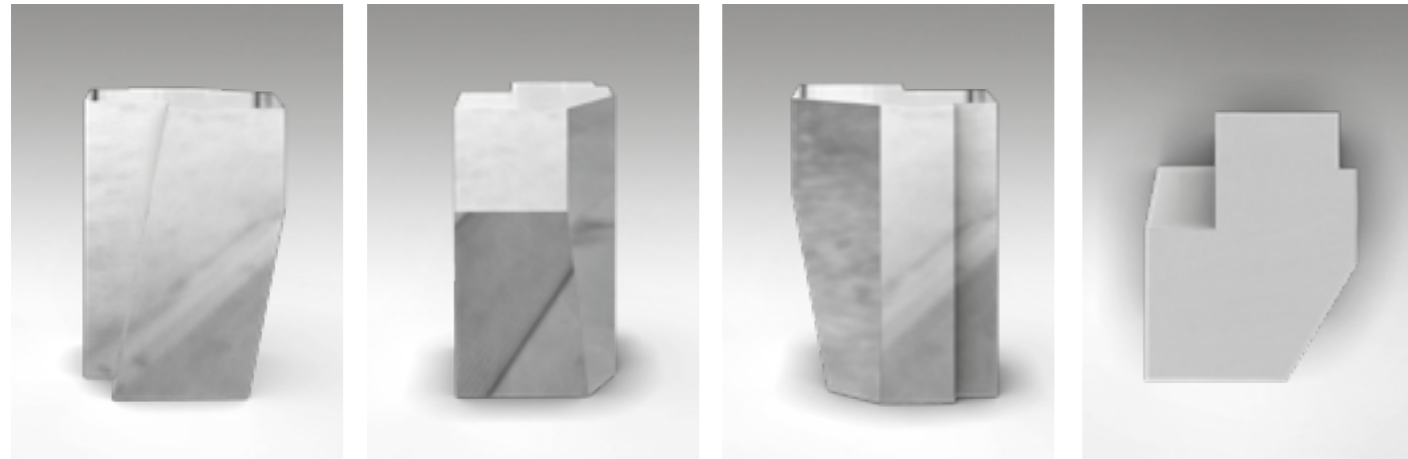
Dimensions (inches)

22.4W x 25D x 19.7H

OKHA

CUT FORMS A Side Table

DESIGN BY OKHA



Base



Electro Polished
Stainless Steel

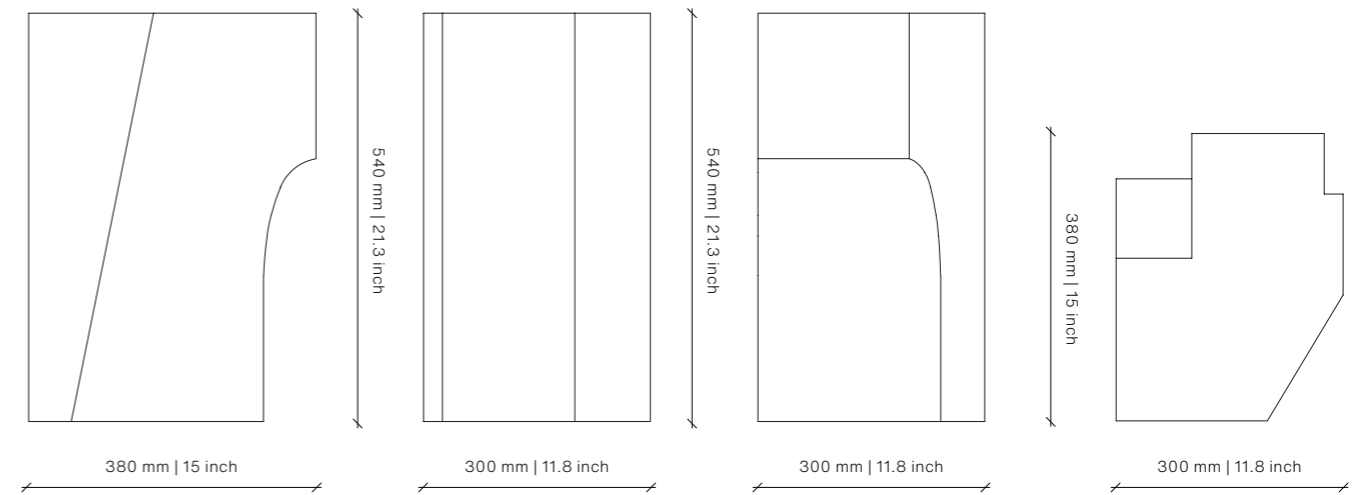
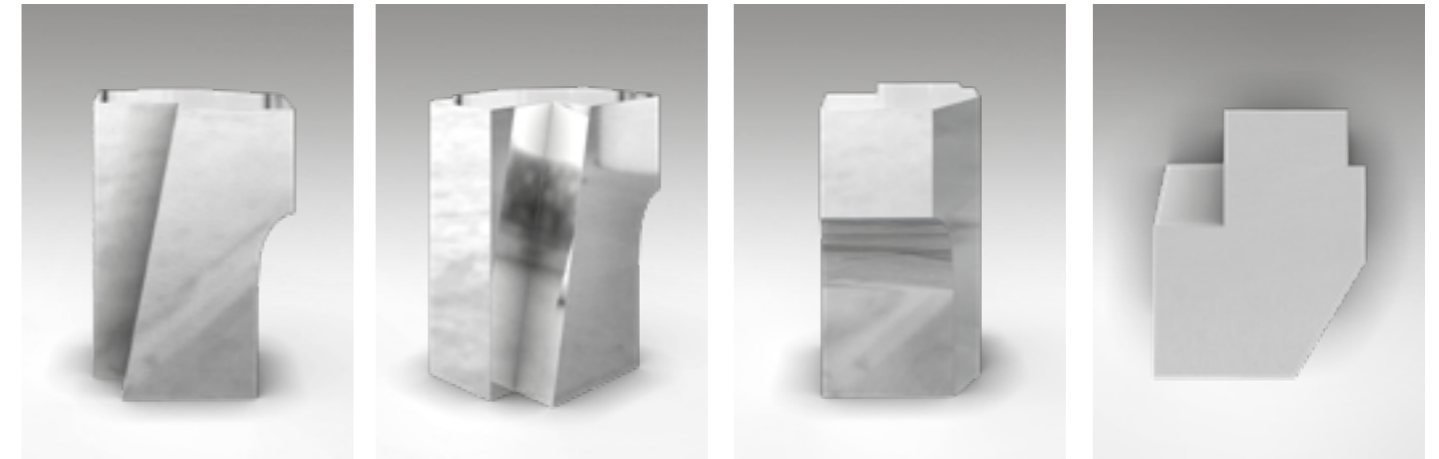
Dimensions (mm)
300W x 380D x 540H

Dimensions (inches)
11.8W x 15D x 21.3H

OKHA

CUT FORMS B Side Table

DESIGN BY OKHA



Electro Polished
Stainless Steel

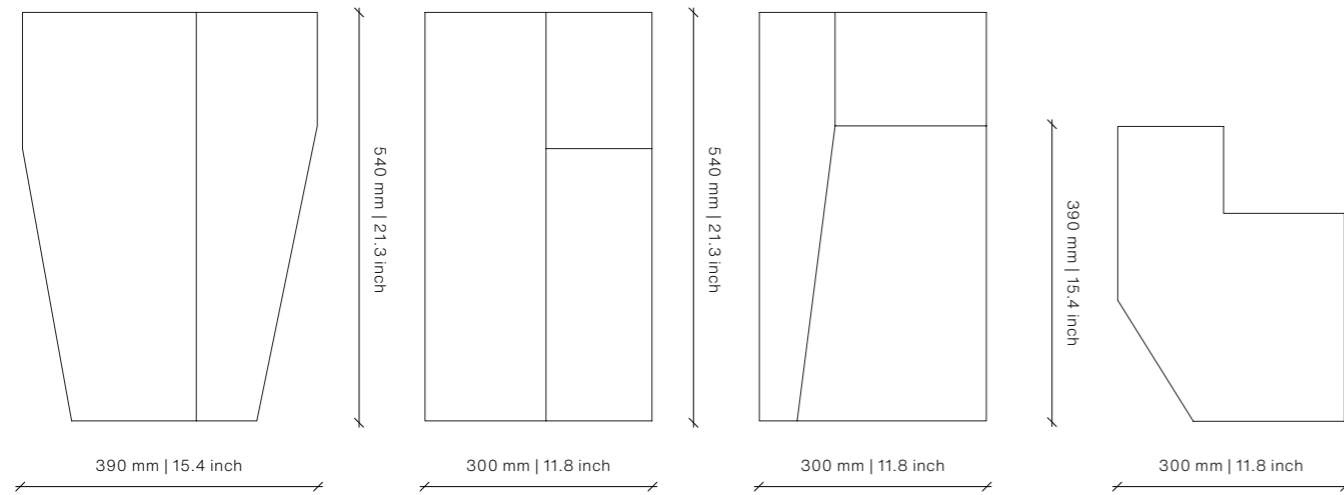
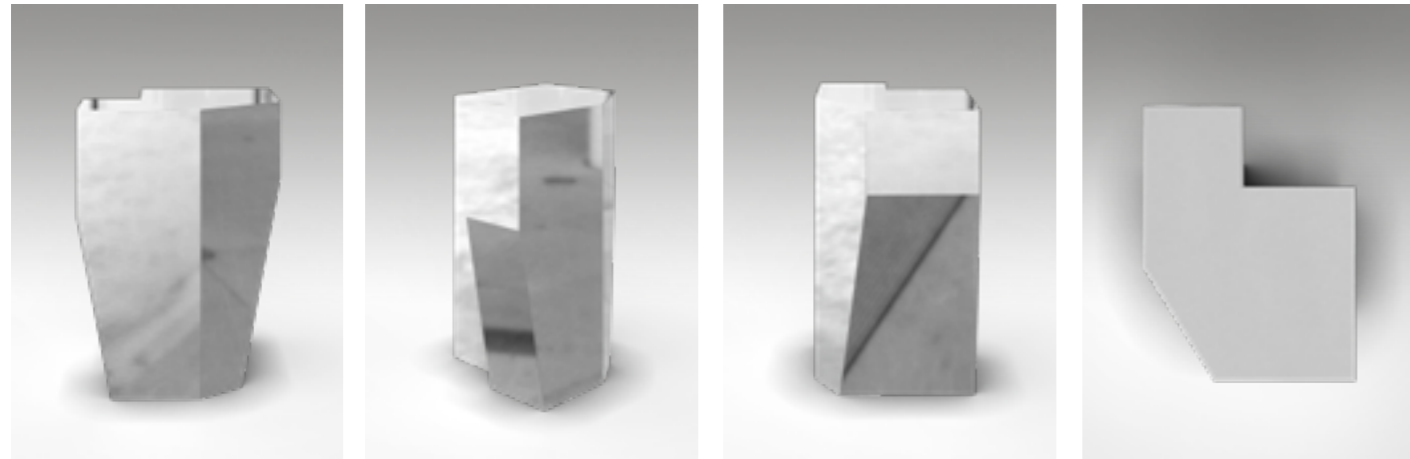
Dimensions (mm)
300W x 380D x 540H

Dimensions (inches)
11.8W x 15D x 21.3H

OKHA

CUT FORMS C Side Table

DESIGN BY OKHA



Base



Electro Polished
Stainless Steel

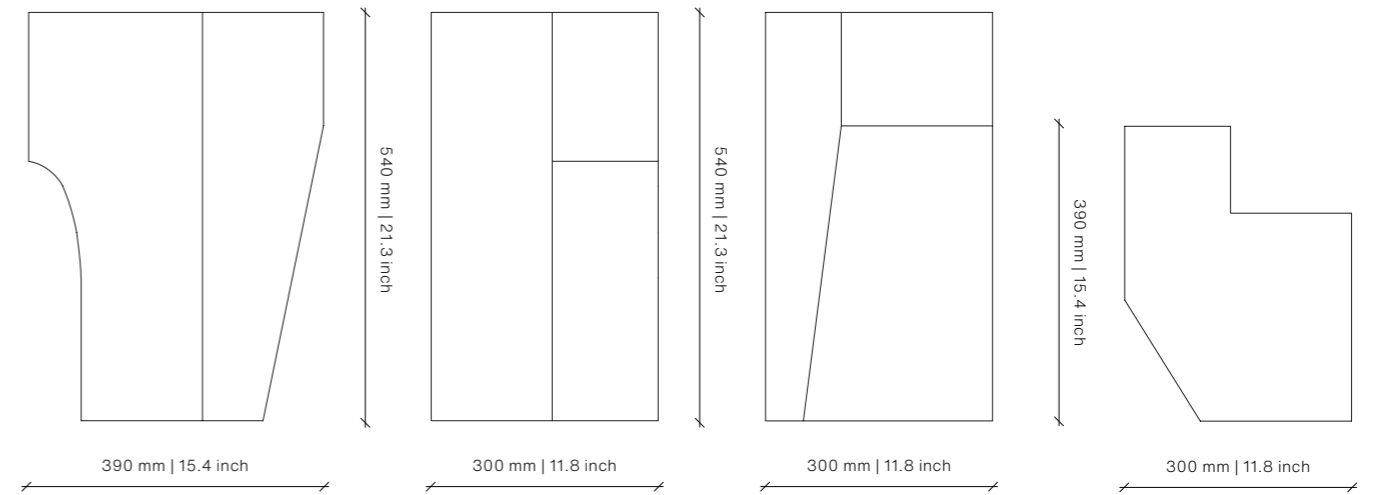
Dimensions (mm)
300W x 390D x 540H

Dimensions (inches)
11.8W x 15.4D x 21.3H

OKHA

CUT FORMS D Side Table

DESIGN BY OKHA



Electro Polished
Stainless Steel

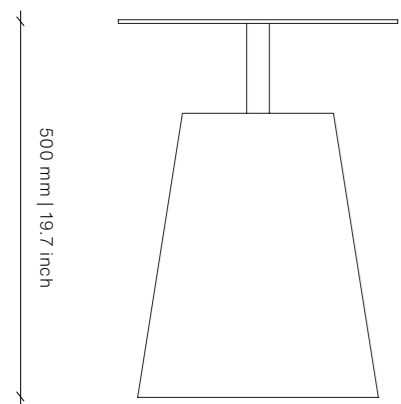
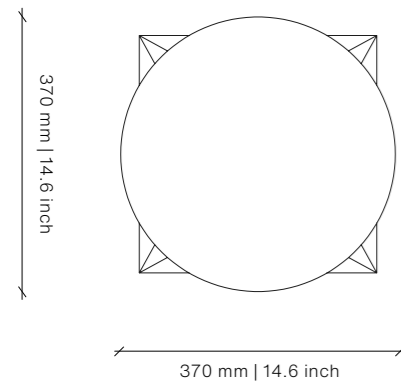
Dimensions (mm)
300W x 390D x 540H

Dimensions (inches)
11.8W x 15.4D x 21.3H

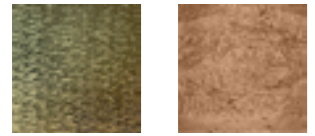
OKHA

FRAGMENT Side Table (FABRICATED IN SOUTH AFRICA)

DESIGN BY OKHA



Top



Polished & Pitted Brass
Polished & Pitted Copper

Base



Natural Ash
Carbon Ash
Dark Java Ash
Mocca Ash
Natural Walnut

Dimensions (mm)
370W x 370D x 500H

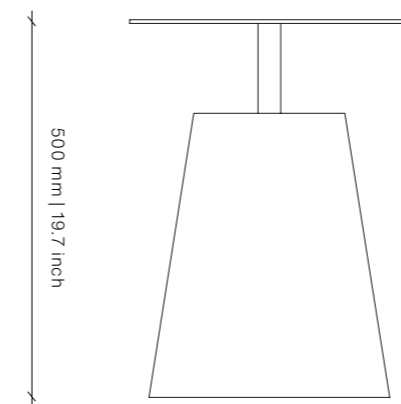
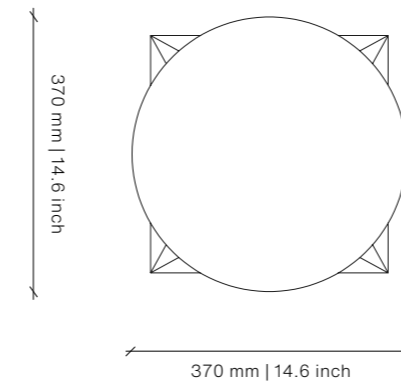
Dimensions (inches)
14.6W x 14.6D x 19.7H



OKHA

FRAGMENT CAST Side Table (FABRICATED IN SOUTH AFRICA)

DESIGN BY OKHA



Top



Cast Bronze

Base



Natural Ash
Carbon Ash
Dark Java Ash
Mocca Ash
Natural Walnut

Dimensions (mm)
370W x 370D x 500H

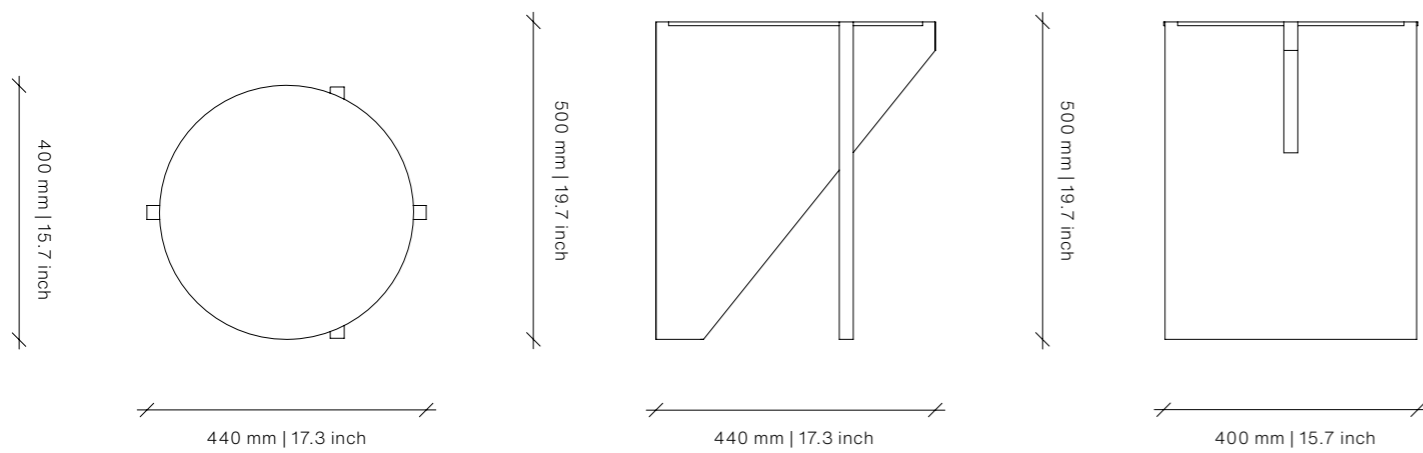
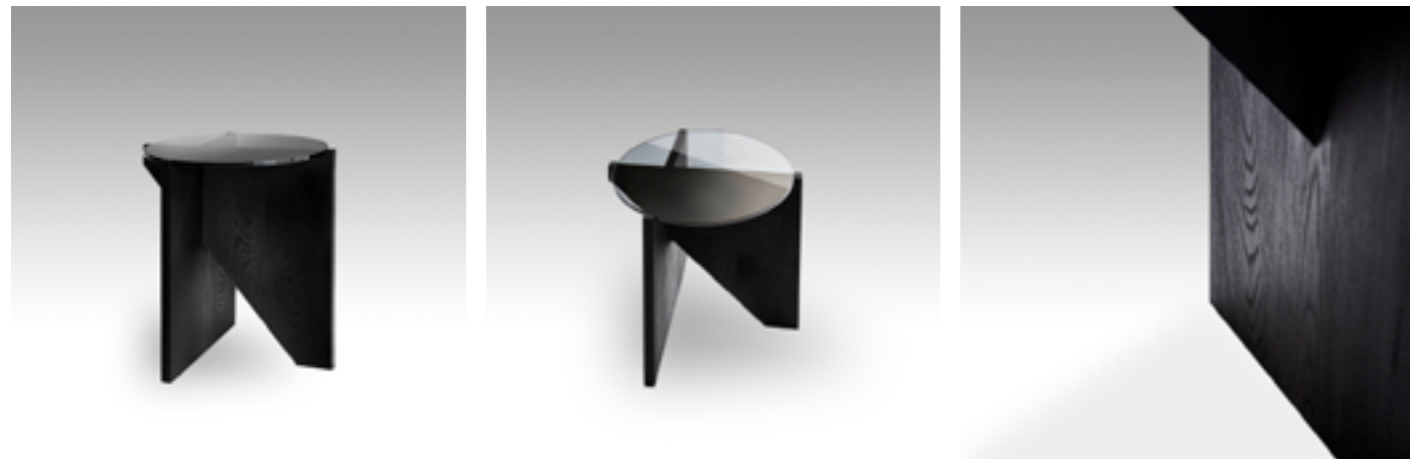
Dimensions (inches)
14.6W x 14.6D x 19.7H



OKHA

LEAN GLASS Side Table

DESIGN BY OKHA



Top



Bronze Tint Glass Grey Tint Glass Clear Glass

Frame



Natural Ash Carbon Ash Dark Java Ash Mocca Ash Natural Walnut

Dimensions (mm)
440W x 400D x 500H

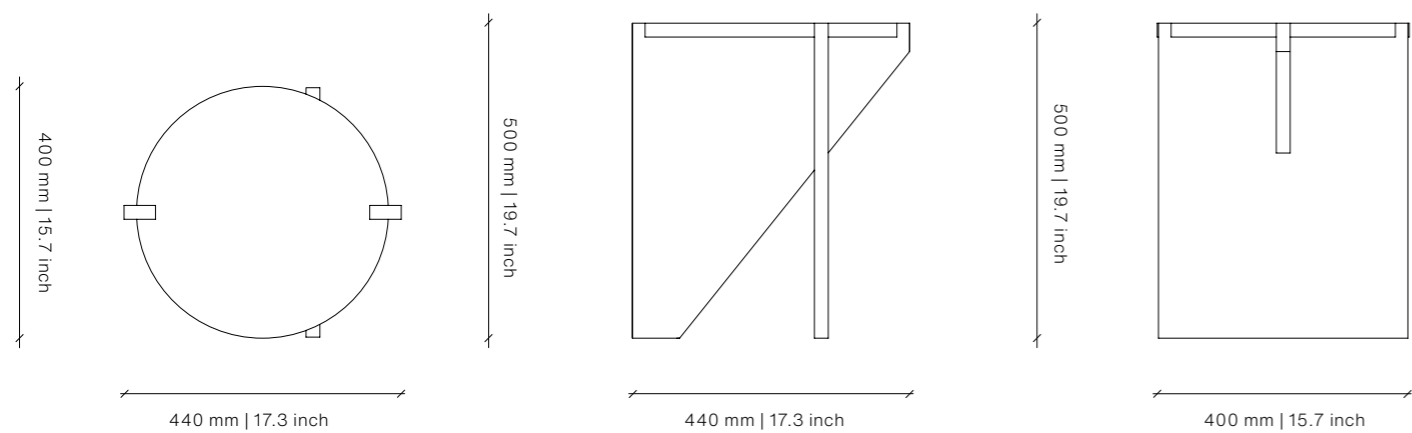
Dimensions (inches)
17.3W x 15.7D x 19.7H



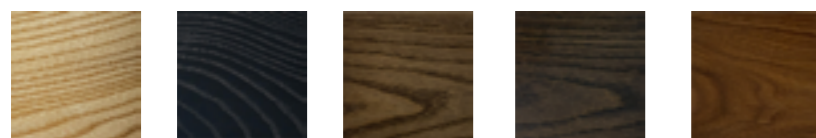
OKHA

LEAN Side Table

DESIGN BY OKHA



Frame



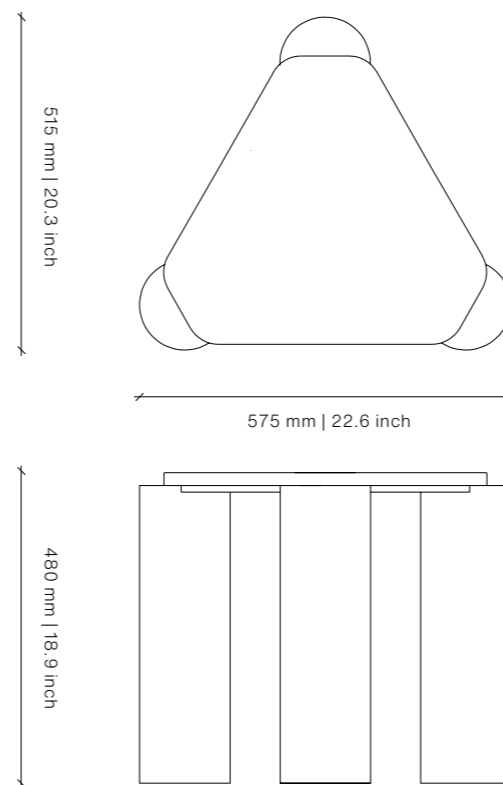
Natural Ash Carbon Ash Dark Java Ash Mocca Ash Natural Walnut

Dimensions (mm)
440W x 400D x 500H

Dimensions (inches)
17.3W x 15.7D x 19.7H

MAGNIFICO Side Table (FABRICATED IN SOUTH AFRICA)

DESIGN BY OKHA



Top



Nero Marquina Carrara Calacatta Venato

Base



Natural Ash Carbon Ash Dark Java Ash Mocca Ash

Custom marble available upon request

Dimensions (mm)
575W x 515D x 480H

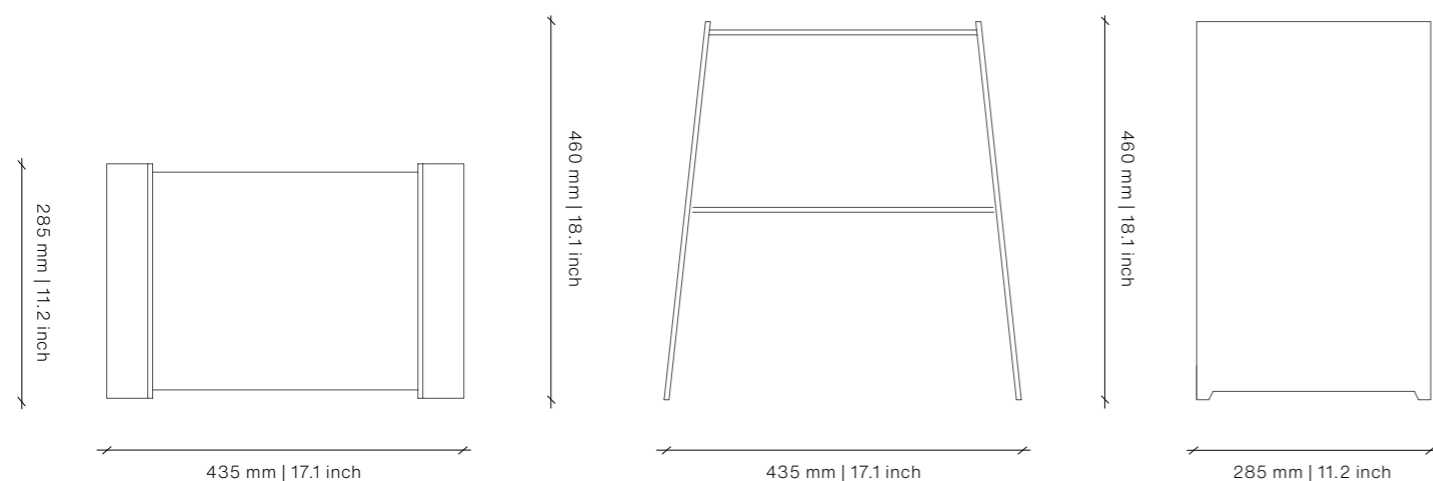
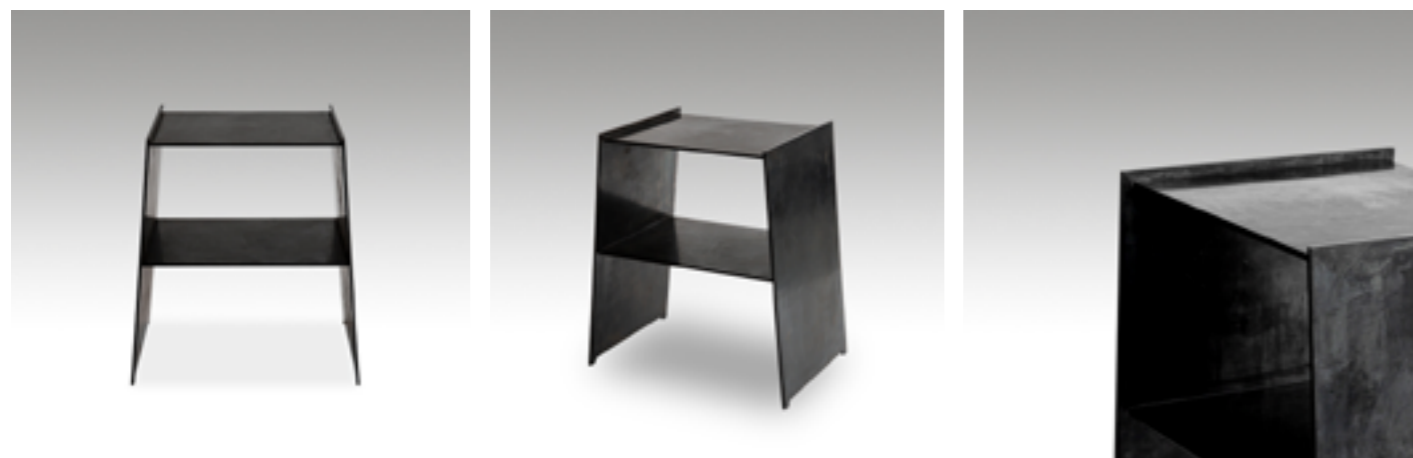
Dimensions (inches)
22.6W x 20.3D x 18.9H

OKHA

OKHA

RATIONAL Side table

DESIGN BY OKHA



Frame



Blackened
Mild Steel

Dimensions (mm)

435W x 285D x 460H

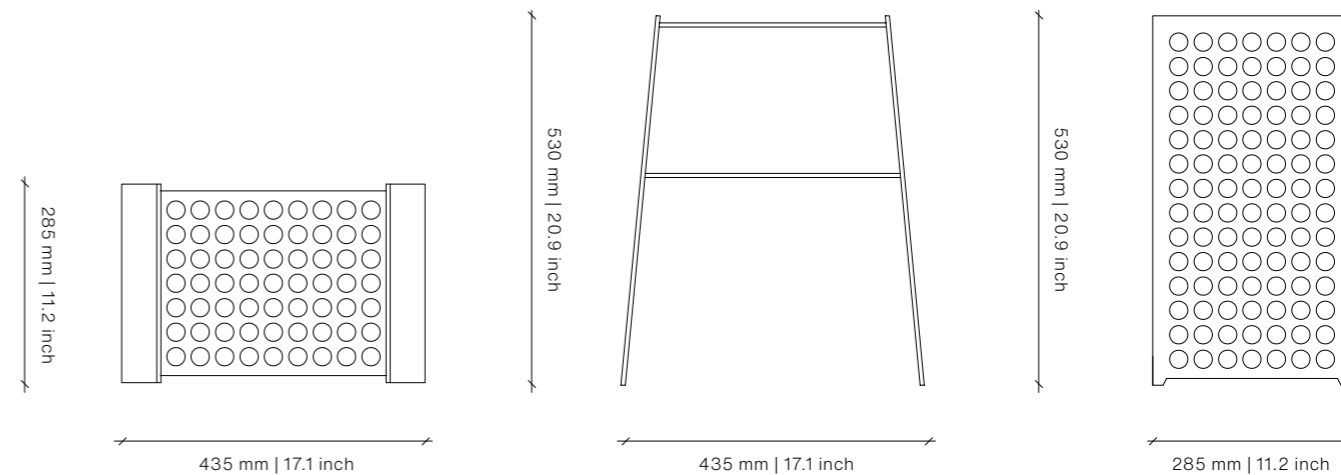
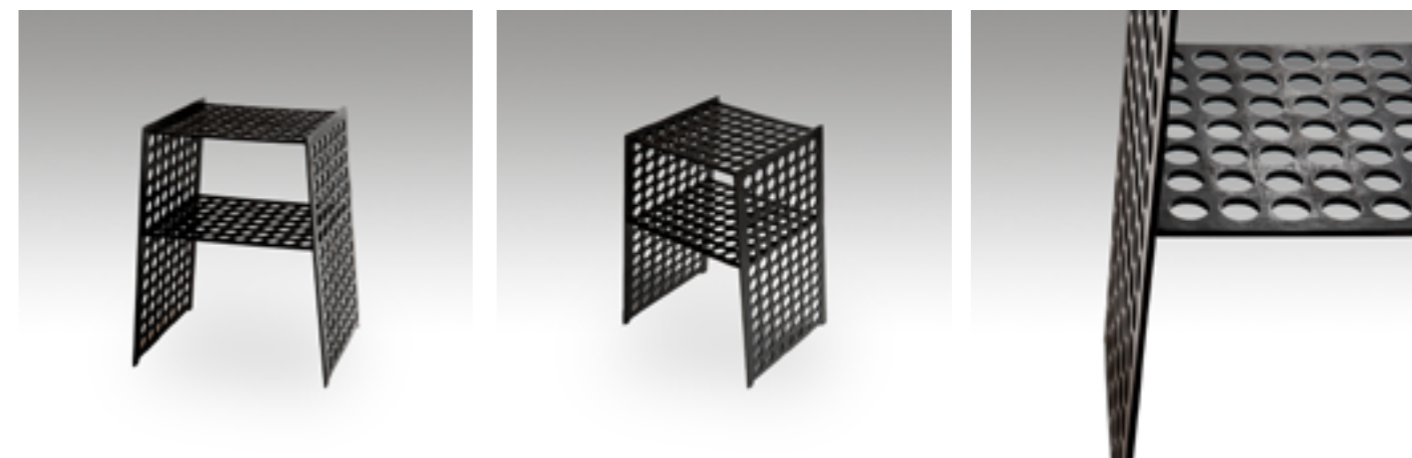
Dimensions (inches)

17.1W x 11.2D x 18.1H

OKHA

IRRATIONAL Side table

DESIGN BY OKHA



Frame



Blackened
Mild Steel

Dimensions (mm)

435W x 285D x 530H

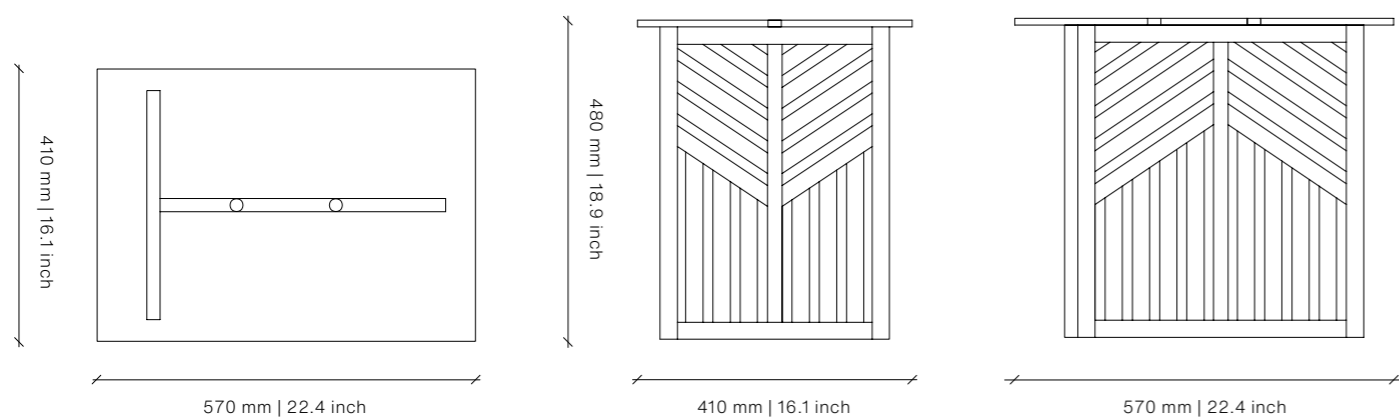
Dimensions (inches)

17.1W x 11.2D x 20.9H

OKHA

RENN Side Table

DESIGN BY OKHA

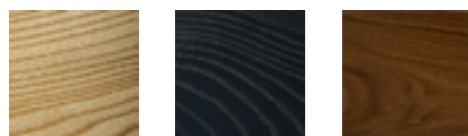


Top



Bronze Tint Glass Grey Tint Glass Clear Glass

Base



Natural Ash Carbon Ash Natural Walnut

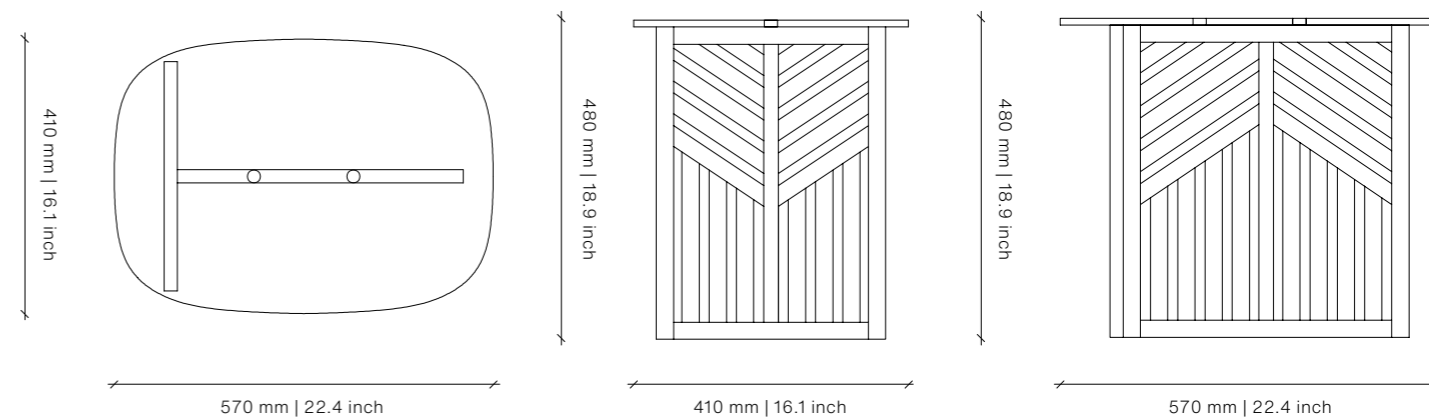
Dimensions (mm)
570W x 410D x 480H

Dimensions (inches)
22.4W x 16.1D x 18.9H

OKHA

RENN II Side Table

DESIGN BY OKHA

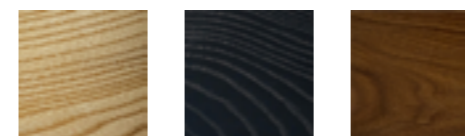


Top



Bronze Tint Glass Grey Tint Glass Clear Glass

Base



Natural Ash Carbon Ash Natural Walnut

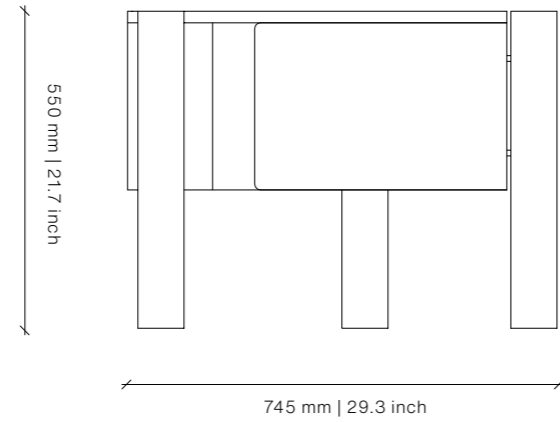
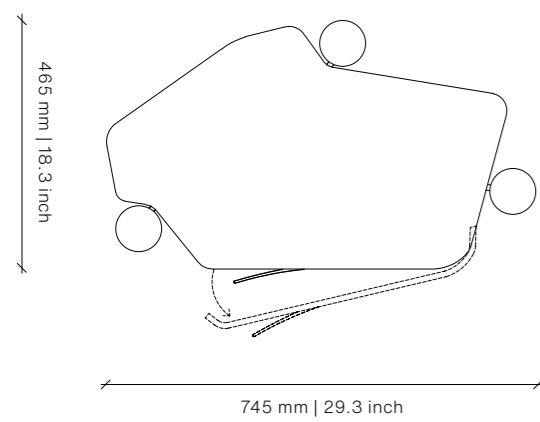
Dimensions (mm)
570W x 410D x 480H

Dimensions (inches)
22.4W x 16.1D x 18.9H

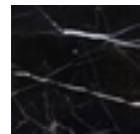
OKHA

VILLA Side Table

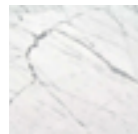
DESIGN BY OKHA



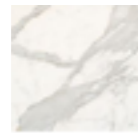
Top



Nero Marquina

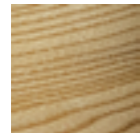


Carrara

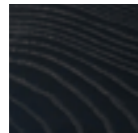


Calacatta Venato

Base



Natural Ash Veneer



Carbon Ash Veneer



Dark Java Ash Veneer



Mocca Ash Veneer

Custom marble available upon request

Dimensions (mm)

745W x 465D x 550H

Dimensions (inches)

29.3W x 18.3D x 21.7H

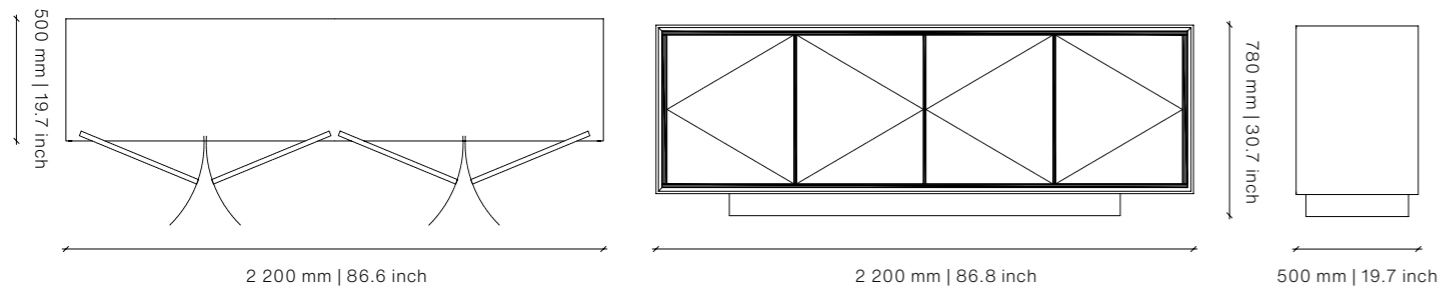
SERVERS

OKHA

OKHA

OMEGA Server

DESIGN BY OKHA



Exterior



Natural Ash Carbon Ash Dark Java Ash Mocca Ash Natural Walnut

Carcas & Doors



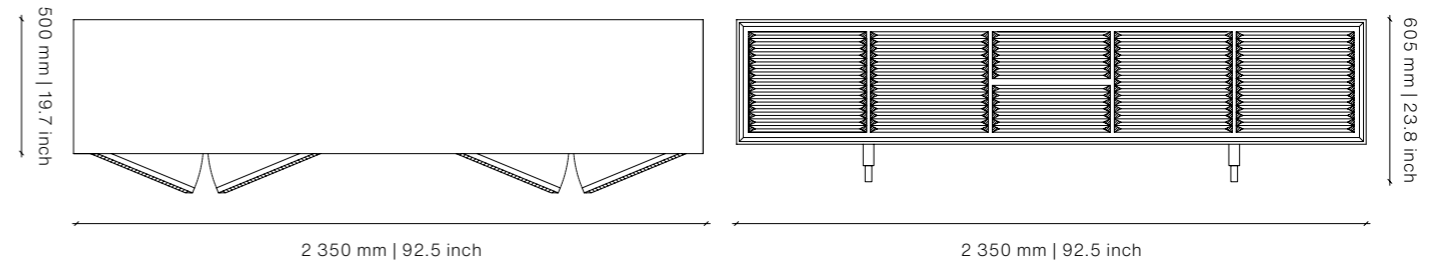
Black Duco Saddlewood Duco Light Grey Duco White Duco

Dimensions (mm)
2200W x 500D x 780H

Dimensions (inches)
86.6W x 19.7D x 30.7H

OMEGA H Server

DESIGN BY OKHA



Exterior



Natural Ash Carbon Ash Dark Java Ash Mocca Ash Natural Walnut

Carcas & Doors



Black Duco Saddlewood Duco Light Grey Duco White Duco

Legs



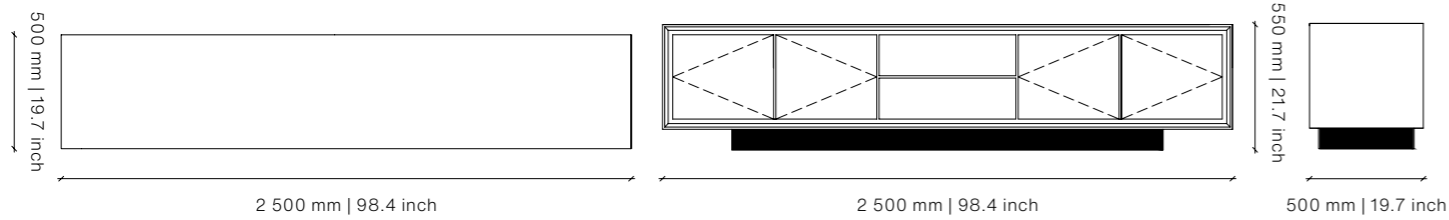
Polished Brass Brushed & Oxidised Brass

Dimensions (mm)
2350W x 500D x 605H

Dimensions (inches)
92.5W x 19.7D x 23.8H

OMEGA LOW Server

DESIGN BY OKHA



Exterior



Natural Ash Carbon Ash Dark Java Ash Mocca Ash Natural Walnut

Carcas & Doors



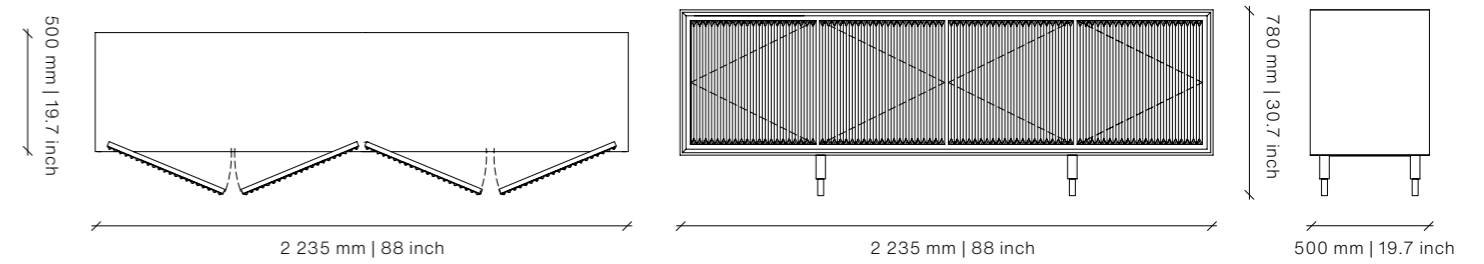
Black Duco Saddlewood Duco Light Grey Duco White Duco

Dimensions (mm)
2500W x 500D x 550H

Dimensions (inches)
98.4W x 19.7D x 21.7H

OMEGA V Server

DESIGN BY OKHA



Exterior



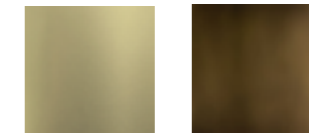
Natural Ash Carbon Ash Dark Java Ash Mocca Ash Natural Walnut

Carcas & Doors



Black Duco Saddlewood Duco Light Grey Duco White Duco

Legs



Polished Brass Brushed & Oxidised Brass

Dimensions (mm)
2235W x 500D x 780H

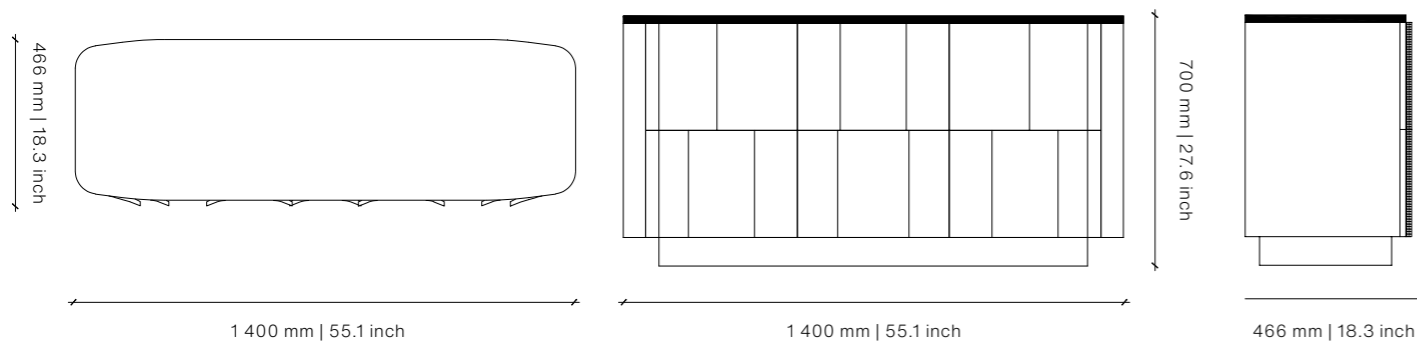
Dimensions (inches)
88W x 19.7D x 30.7H

OKHA

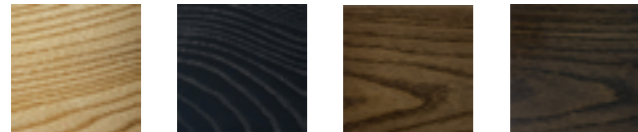
OKHA

OVD Server

DESIGN BY OKHA

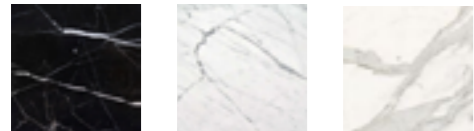


Exterior



Natural Ash Veneer | Carbon Ash Veneer | Dark Java Ash Veneer | Mocca Ash Veneer

Top



Nero Marquina | Carrara | Calacatta Venato

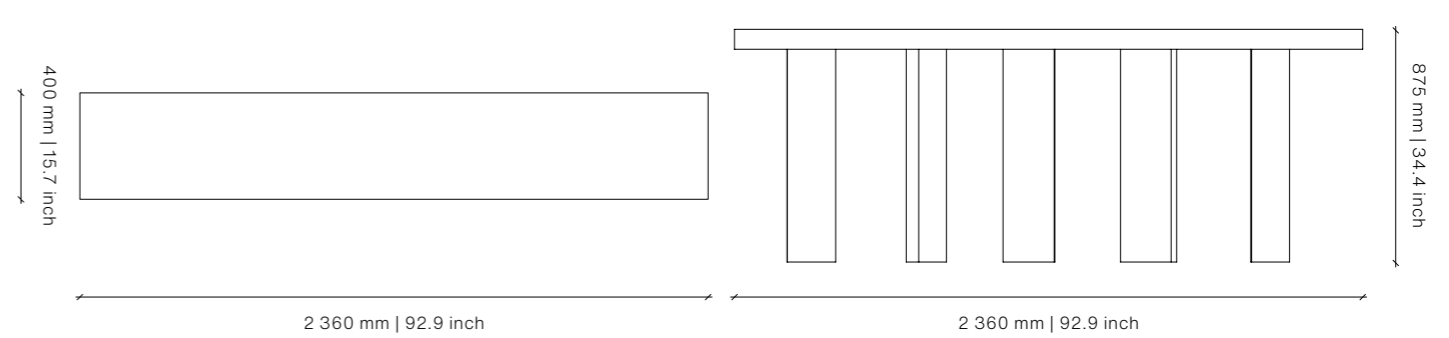
Custom marble available upon request

Dimensions (mm)
1400W x 466D x 700H

Dimensions (inches)
55.1W x 18.3D x 27.6H

RHOMBUS Server (FABRICATED IN SOUTH AFRICA)

DESIGN BY OKHA

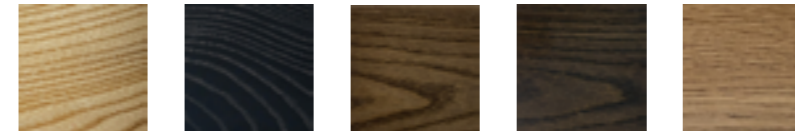


Base



Blackened Mild Steel

Top



Natural Ash | Carbon Ash | Dark Java Ash | Mocca Ash | French Oak

Dimensions (mm)
2360W x 400D x 875H

Dimensions (inches)
92.9W x 15.7D x 34.4H

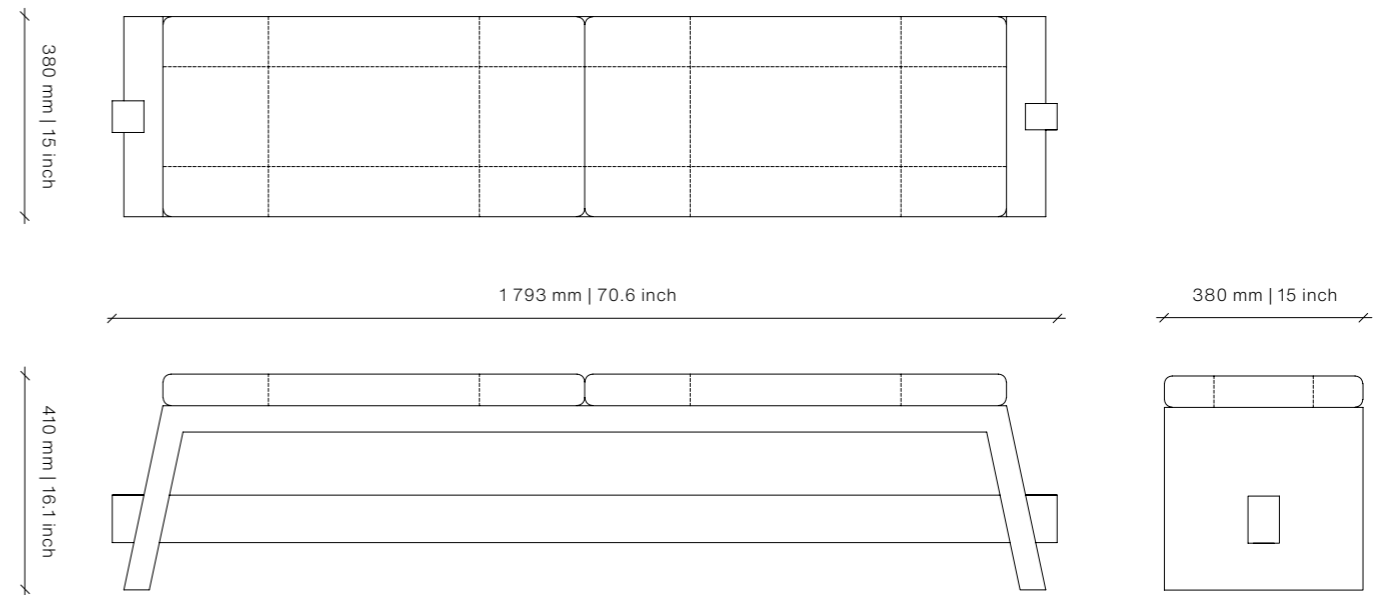
OKHA

OKHA

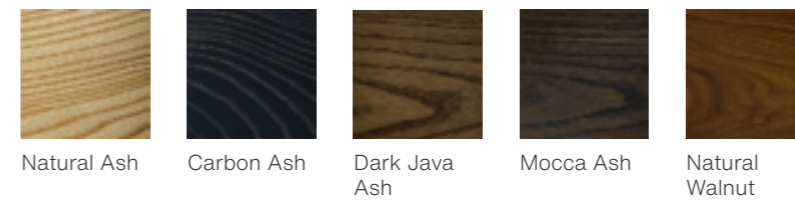
BENCHES

BENCH BED Bench

DESIGN BY OKHA



Frame



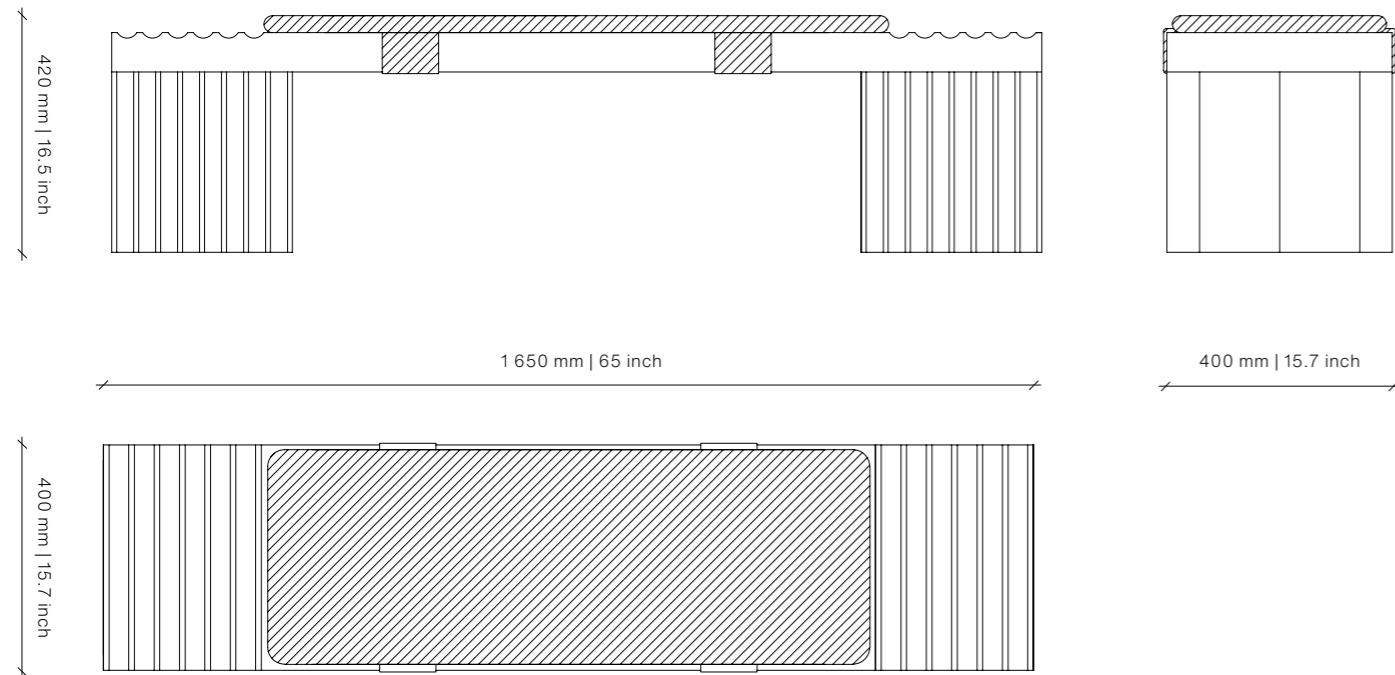
Dimensions (mm)
1793W x 380D x 410H

Dimensions (inches)
70.6W x 15D x 16.1H

COL 2.8 m² | 30.1 sq ft

FREQUENCY Bench

DESIGN BY OKHA



Frame



Natural Ash Carbon Ash Dark Java Ash Mocca Ash Natural Walnut

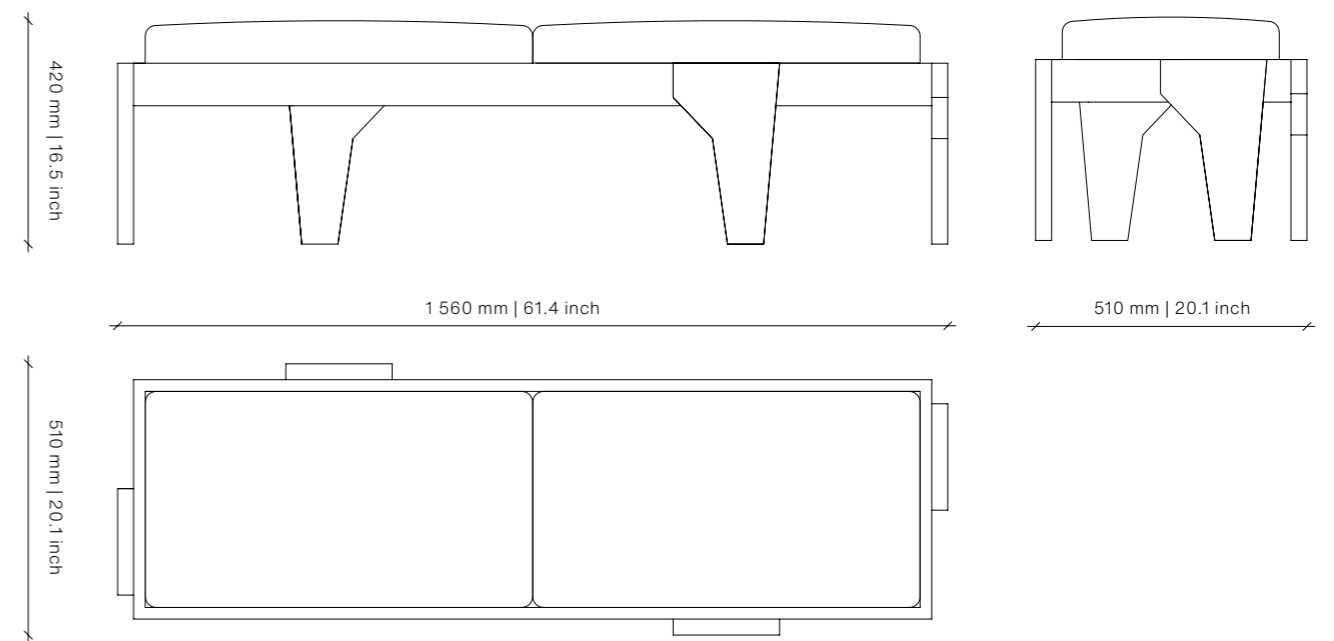
Dimensions (mm)
1650W x 400D x 420H

Dimensions (inches)
65W x 15.7D x 16.5H

COL 2.8 m² | 30.1 sq ft

ZIGGY BENCH Bench

DESIGN BY OKHA



Frame



Natural Ash Carbon Ash Dark Java Ash Mocca Ash Natural Walnut

Dimensions (mm)
1560W x 510D x 420H

Dimensions (inches)
61.4W x 20.1D x 16.5H

COM 2 m | 2.2 yd
COL 3.6 m² | 38.8 sq ft

OKHA

OKHA

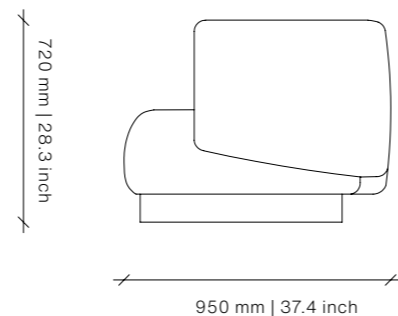
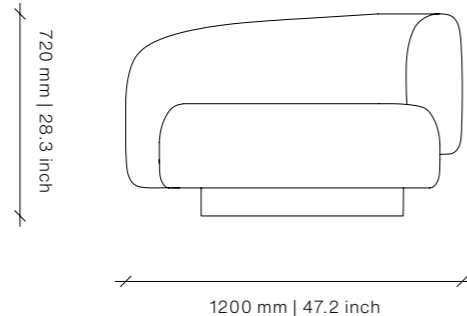
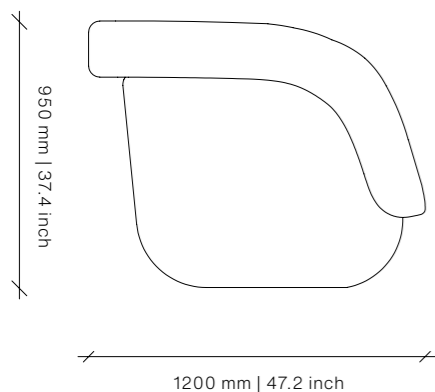
ARM CHAIRS



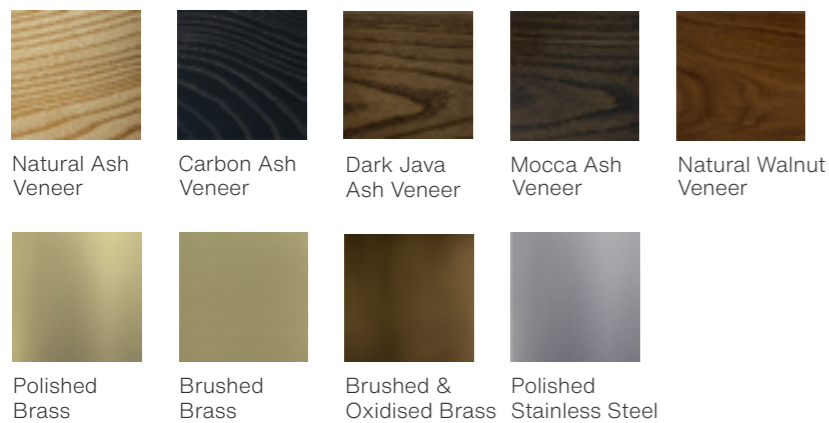
OKHA

REPOSER Occasional Chair

DESIGN BY OKHA



Base



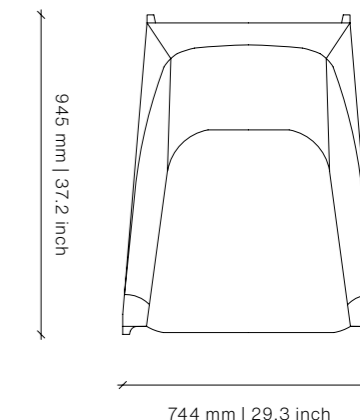
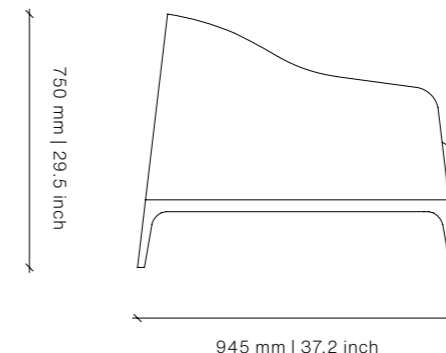
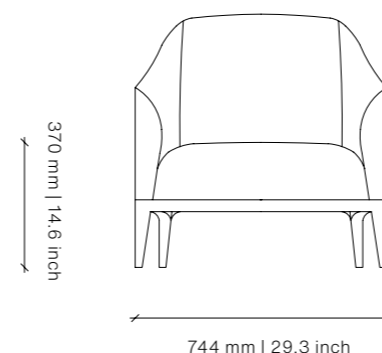
Dimensions (mm)
1200W x 950D x 720H
Seat Height: 400

Dimensions (inches)
47.2W x 37.4D x 28.3H
Seat Height: 15.7

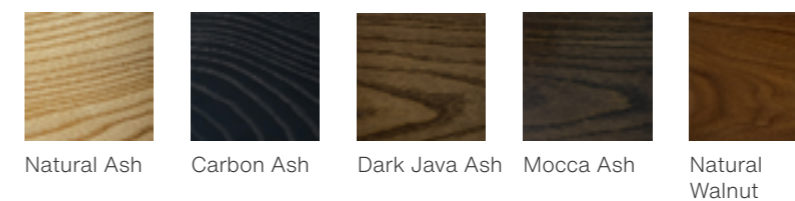
COM 6 m | 6.6 yd

ARTISTS Armchair

DESIGN BY OKHA



Base



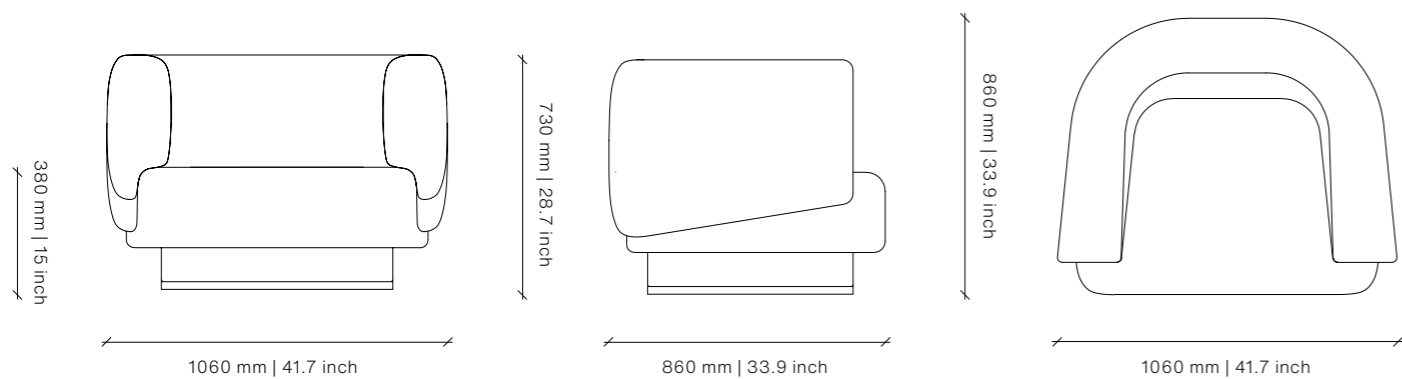
Dimensions (mm)
744W x 945D x 750H
Seat Height: 370

Dimensions (inches)
29.3W x 37.2D x 29.5H
Seat Height: 14.6

COM 4.5 m | 4.9 yd
COL 8.1 m² | 87.2 sq ft

CAPE Armchair

DESIGN BY OKHA



Base



Natural Ash Carbon Ash Dark Java Ash Mocca Ash Natural Walnut

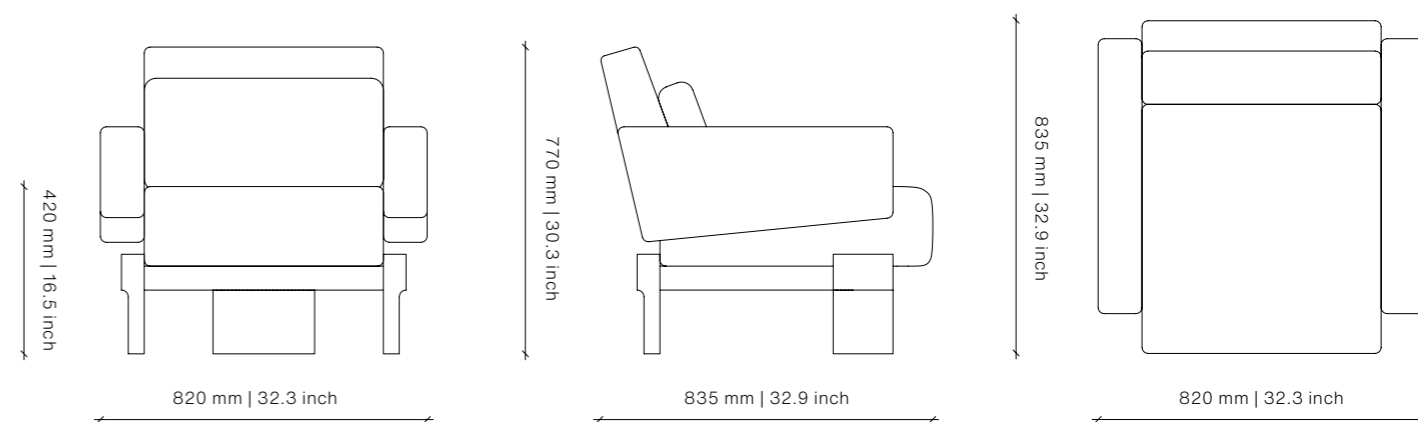
Dimensions (mm)
1060W x 860D x 730H
Seat Height: 380

Dimensions (inches)
41.7W x 33.9D x 28.7H
Seat Height: 15

COM 8 m | 8.8 yd

COSMO Armchair

DESIGN BY OKHA



Base



Natural Ash Carbon Ash Dark Java Ash Mocca Ash Natural Walnut

Dimensions (mm)
820W x 835D x 770H
Seat Height: 420

Dimensions (inches)
32.3W x 32.9D x 30.3H
Seat Height: 16.5

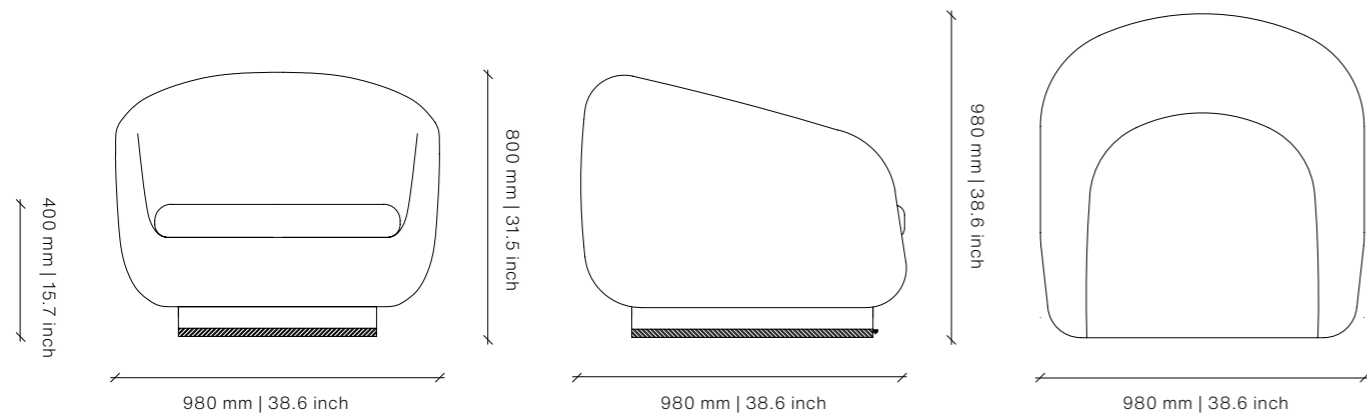
COM 6 m | 6.6 yd
COL 10.8 m² | 116.3 sq ft

OKHA

OKHA

GLOOB Armchair

DESIGN BY OKHA



Base



Natural Ash Carbon Ash Dark Java Ash Mocca Ash Natural Walnut

Dimensions (mm)
980W x 980D x 800H
Seat Height: 400

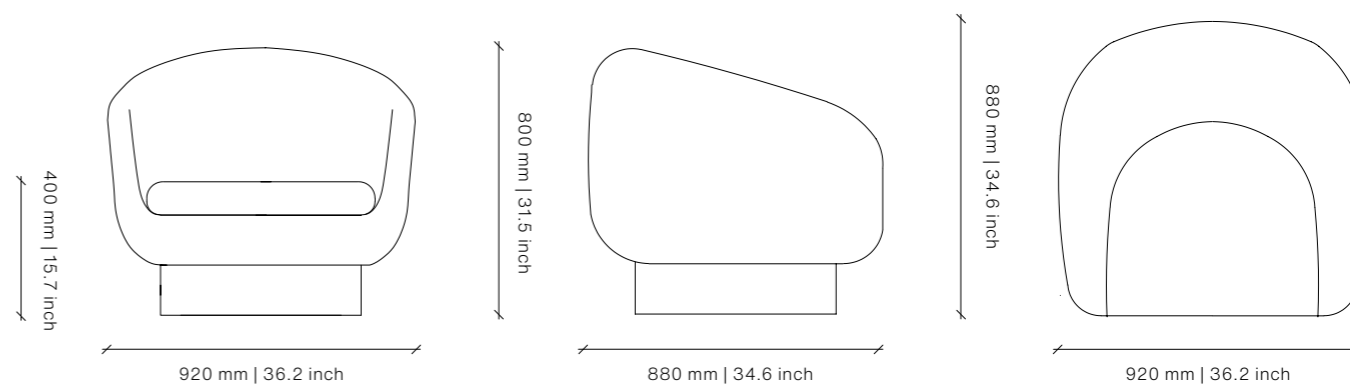
Dimensions (inches)
38.6W x 38.6D x 31.5H
Seat Height: 15.7

COM 8 m | 8.8 yd

OKHA

GLOOB 2 Armchair

DESIGN BY OKHA



Base



Natural Ash Veneer Carbon Ash Veneer Dark Java Ash Veneer Mocca Ash Veneer Natural Walnut Veneer



Polished Brass Brushed Brass Brushed & Oxidized Brass Polished Stainless Steel

Dimensions (mm)
920W x 880D x 800H
Seat Height: 400

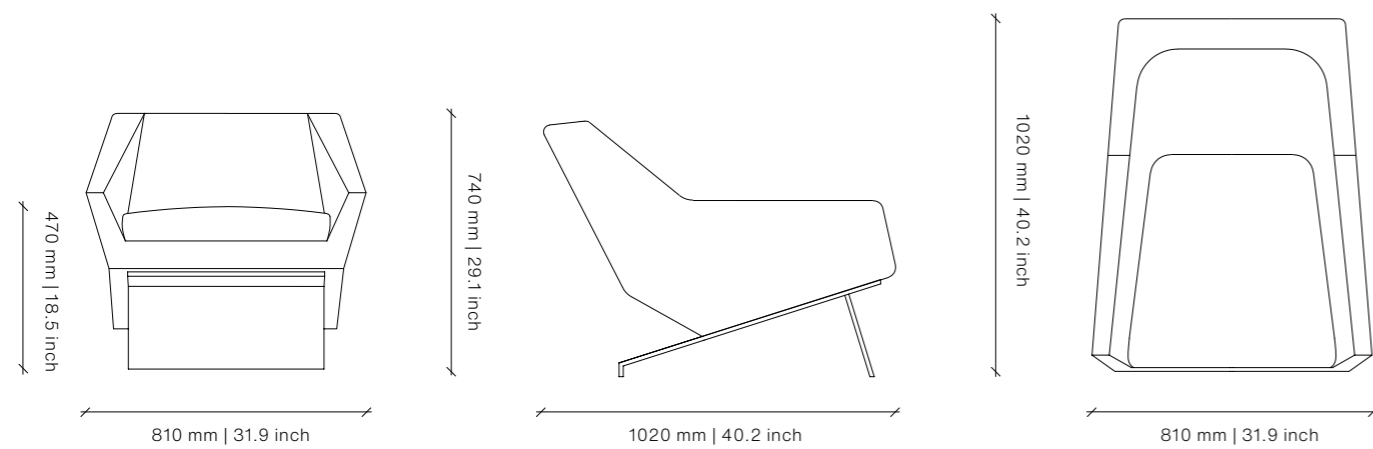
Dimensions (inches)
36.2W x 34.6D x 31.5H
Seat Height: 15.7

COM 6.5 m | 7.1 yd

OKHA

GTA Armchair

DESIGN BY OKHA



Base



Burnished Stainless Steel Blackened Mild Steel

Dimensions (mm)

810W x 1020D x 740H
Seat Height: 470

Dimensions (inches)

31.9W x 40.2D x 29.1H
Seat Height: 18.5

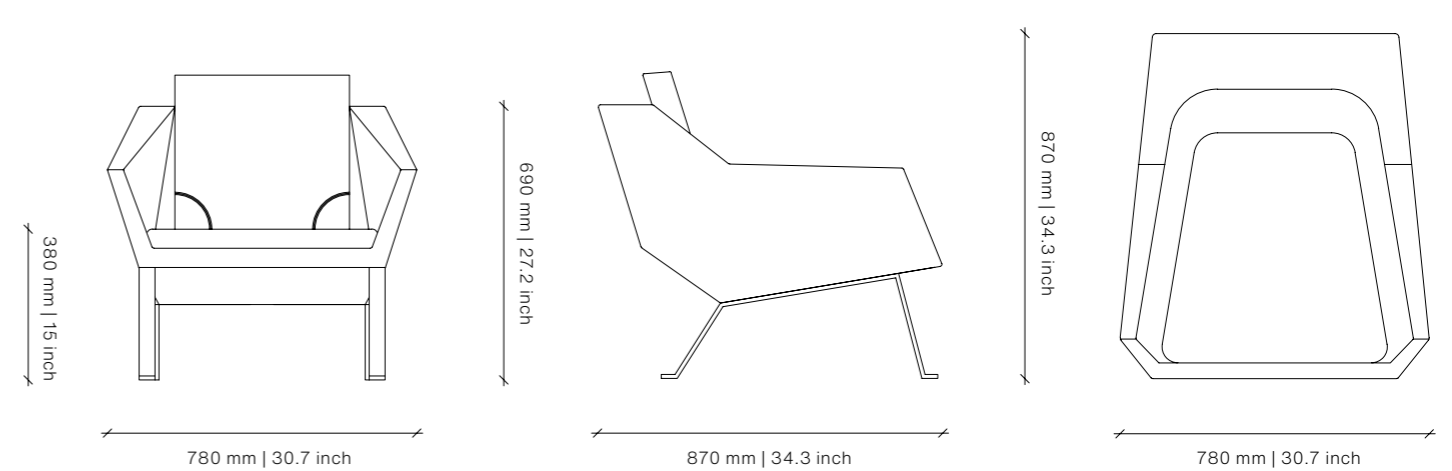
COM 5.5 m | 6 yd

COL 9.9 m² | 106.6 sq ft

OKHA

GT STEEL Armchair

DESIGN BY OKHA



Base



Polished Stainless Steel

Dimensions (mm)

780W x 870D x 690H
Seat Height: 380

Dimensions (inches)

30.7W x 34.3D x 27.2H
Seat Height: 15

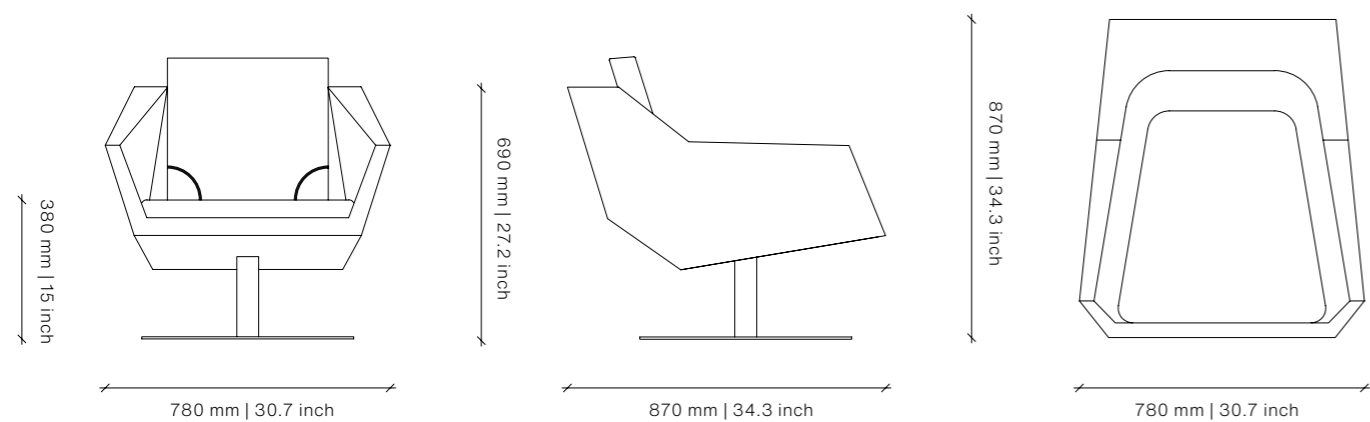
COM 4 m | 4.4 yd

COL 7.2 m² | 77.5 sq ft

OKHA

GT SWIVEL Armchair

DESIGN BY OKHA



Base



Black Ferrograin Saddlewood Ferrograin Light Grey Ferrograin White Ferrograin

Dimensions (mm)

780W x 870D x 690H
Seat Height: 380

Dimensions (inches)

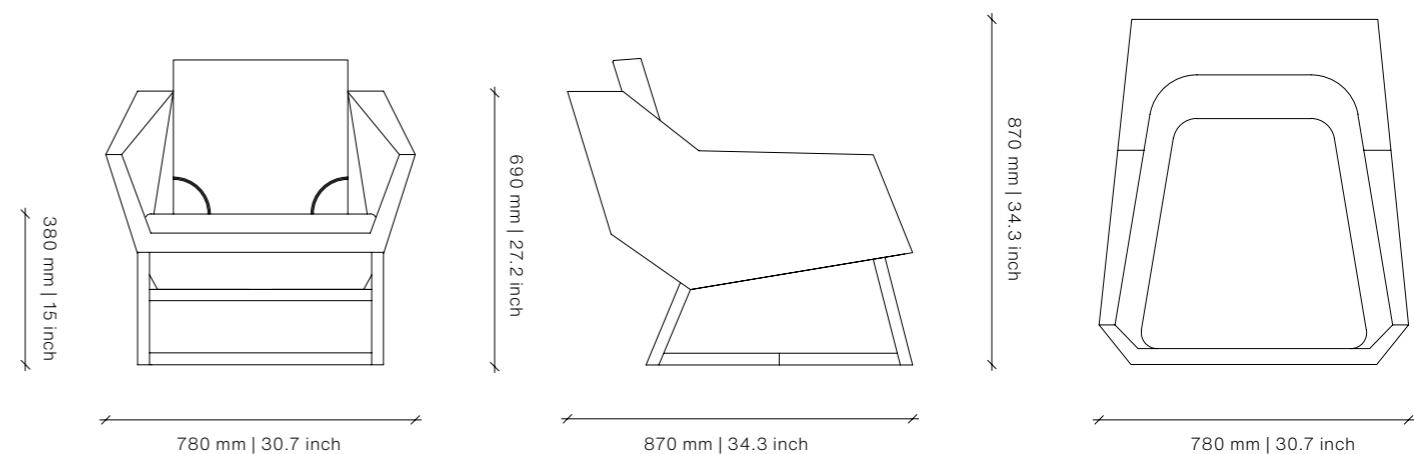
30.7W x 34.3D x 27.2H
Seat Height: 15

COM 4 m | 4.4 yd

COL 7.2 m² | 77.5 sq ft

GT TIMBER Armchair

DESIGN BY OKHA



Base



Natural Ash Carbon Ash Dark Java Ash Mocca Ash Natural Walnut

Dimensions (mm)

780W x 870D x 690H
Seat Height: 380

Dimensions (inches)

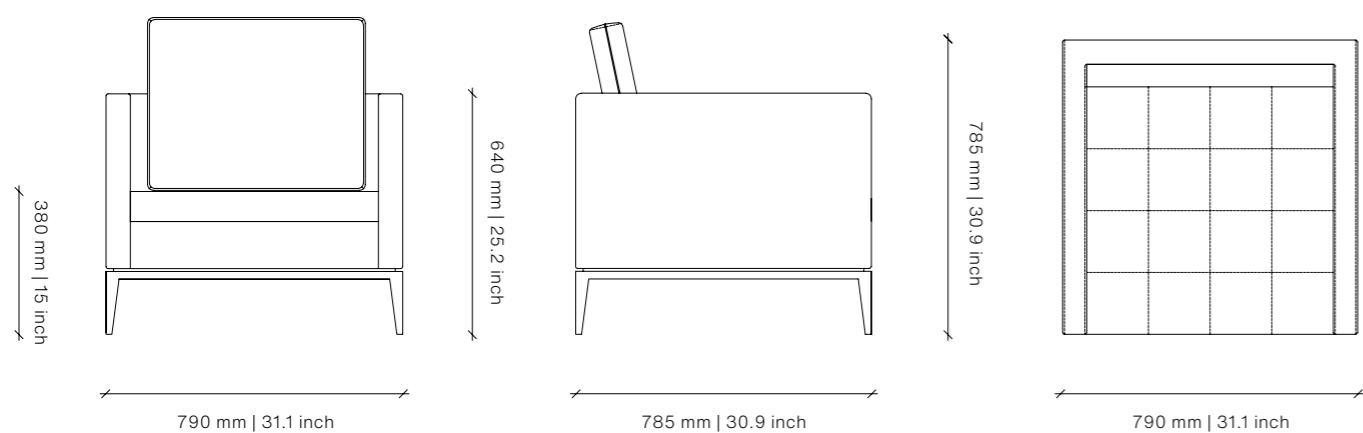
30.7W x 34.3D x 27.2H
Seat Height: 15

COM 4 m | 4.4 yd

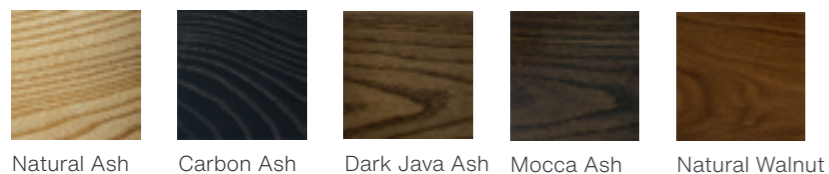
COL 7.2 m² | 77.5 sq ft

HUNT Armchair

DESIGN BY OKHA



Base



Dimensions (mm)

790W x 785D x 640H
Seat Height: 380

Dimensions (inches)

31.1W x 30.9D x 25.2H
Seat Height: 15

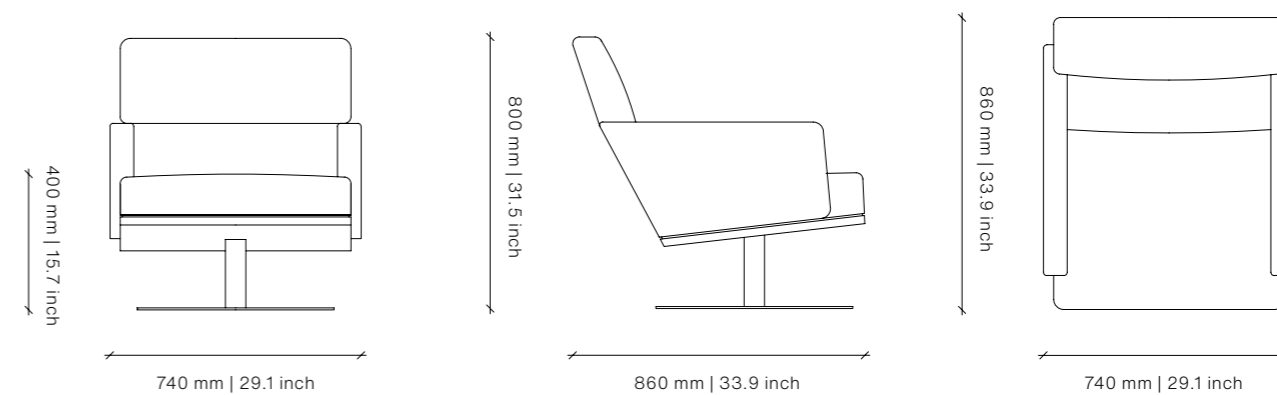
COM 5.5 m | 6 yd

COL 9.9 m² | 106.6 sq ft

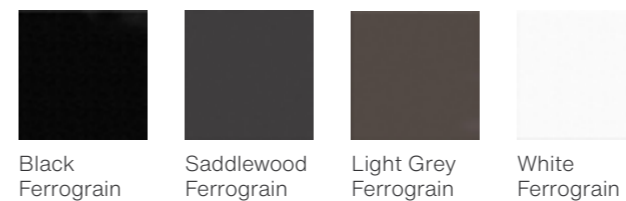
OKHA

LWM Armchair

DESIGN BY OKHA



Base



Trim



Dimensions (mm)

740W x 860D x 800H
Seat Height: 400

Dimensions (inches)

29.1W x 33.9D x 31.5H
Seat Height: 15.7

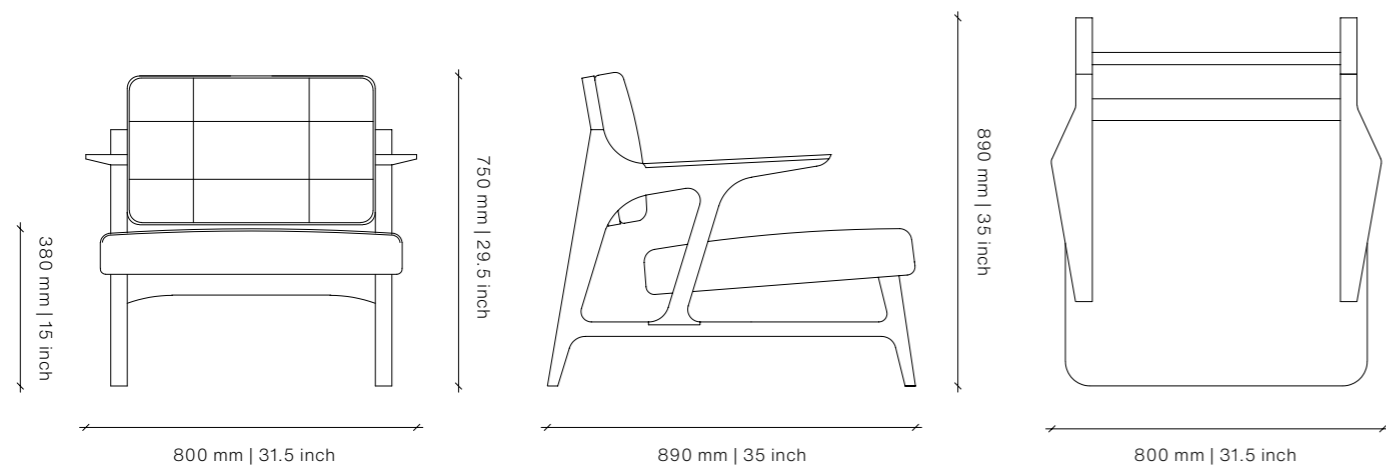
COM 6 m | 6.6 yd

COL 10.8 m² | 116.3 sq ft

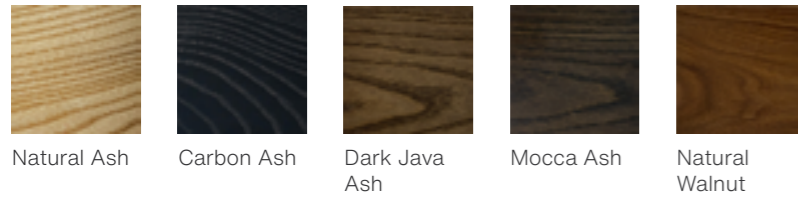
OKHA

MILES Armchair

DESIGN BY OKHA



Frame



Dimensions (mm)
800W x 890D x 750H
Seat Height: 380

Dimensions (inches)
31.5W x 35D x 29.5H
Seat Height: 15

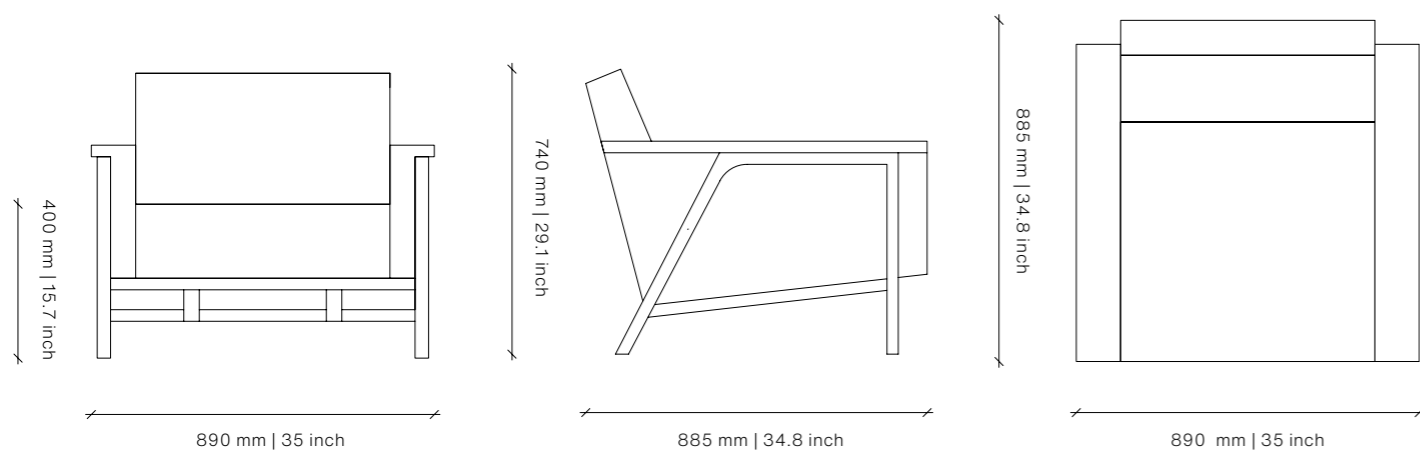
COM 4.5 m | 4.9 yd
COL 8.1 m² | 87.2 sq ft

OKHA



MAXX Armchair

DESIGN BY OKHA



Frame



Natural Ash Carbon Ash Dark Java Ash Mocca Ash Natural Walnut

Dimensions (mm)

890W x 885D x 740H
Seat Height: 400

Dimensions (inches)

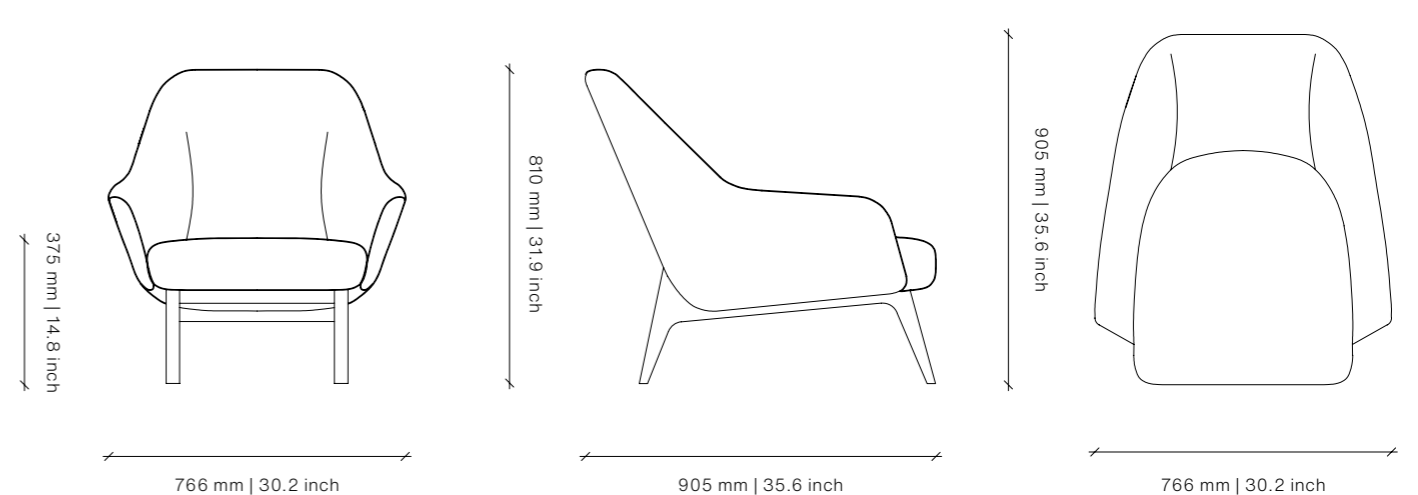
35W x 34.8D x 29.1H
Seat Height: 15.7

COM 5.5 m | 6 yd

COL 9.9 m² | 106.6 sq ft

NATE Armchair

DESIGN BY OKHA



Base



Natural Ash Carbon Ash Dark Java Ash Mocca Ash Natural Walnut

Dimensions (mm)

766W x 905D x 810H
Seat Height: 375

Dimensions (inches)

30.2W x 35.6D x 31.9H
Seat Height: 14.8

COM 6 m | 6.6 yd

COL 10.8 m² | 116.3 sq ft

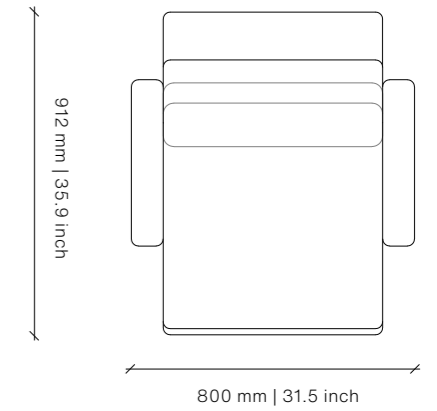
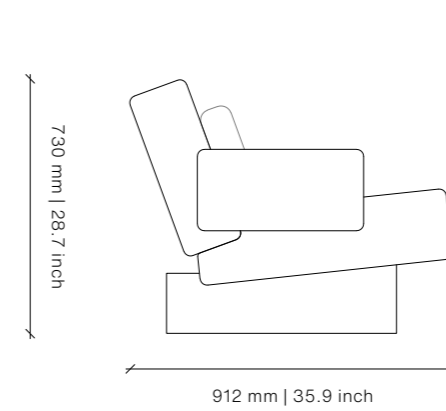
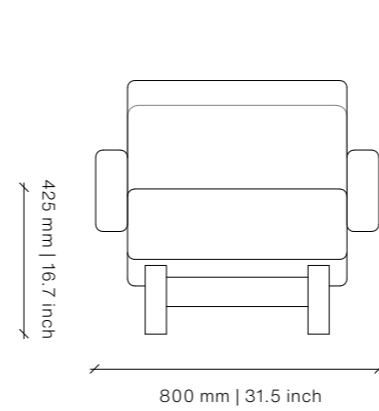
OKHA

OKHA



NAUT Armchair

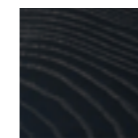
DESIGN BY OKHA



Frame



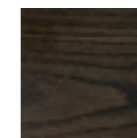
Natural Ash



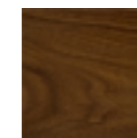
Carbon Ash



Dark Java
Ash



Mocca Ash



Natural
Walnut

Dimensions (mm)

800W x 912D x 730H
Seat Height: 425

Dimensions (inches)

31.5W x 35.9D x 28.7H
Seat Height: 16.7

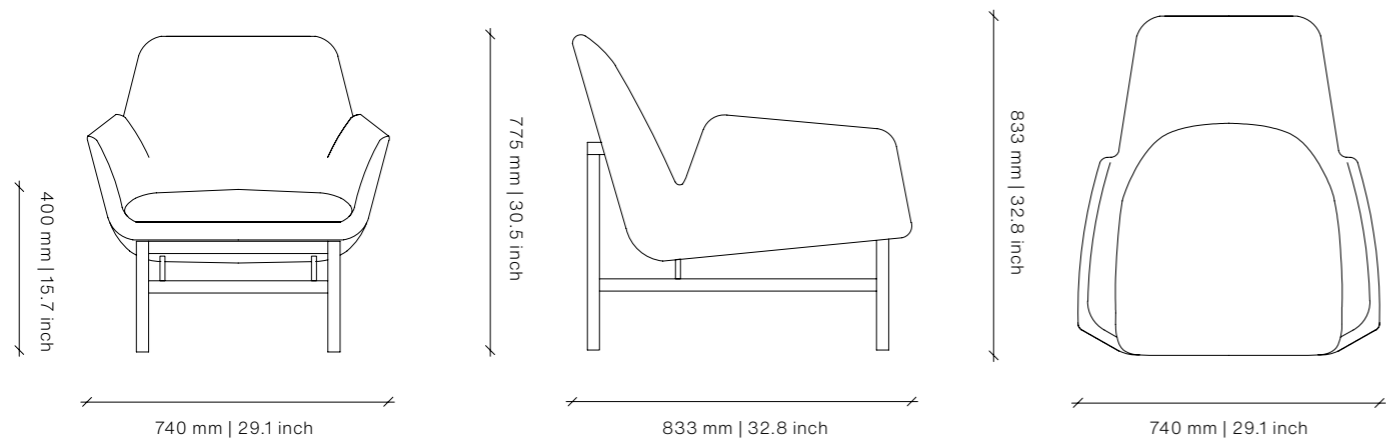
COM 7 m | 7.7 yd

COL 12.6 m² | 135.6 sq ft

OKHA

NICCI TIMBER Armchair

DESIGN BY OKHA



Frame



Natural Ash Carbon Ash Dark Java Ash Mocca Ash Natural Walnut

Dimensions (mm)

740W x 833D x 775H
Seat Height: 400

Dimensions (inches)

29.1W x 32.8D x 30.5H
Seat Height: 15.7

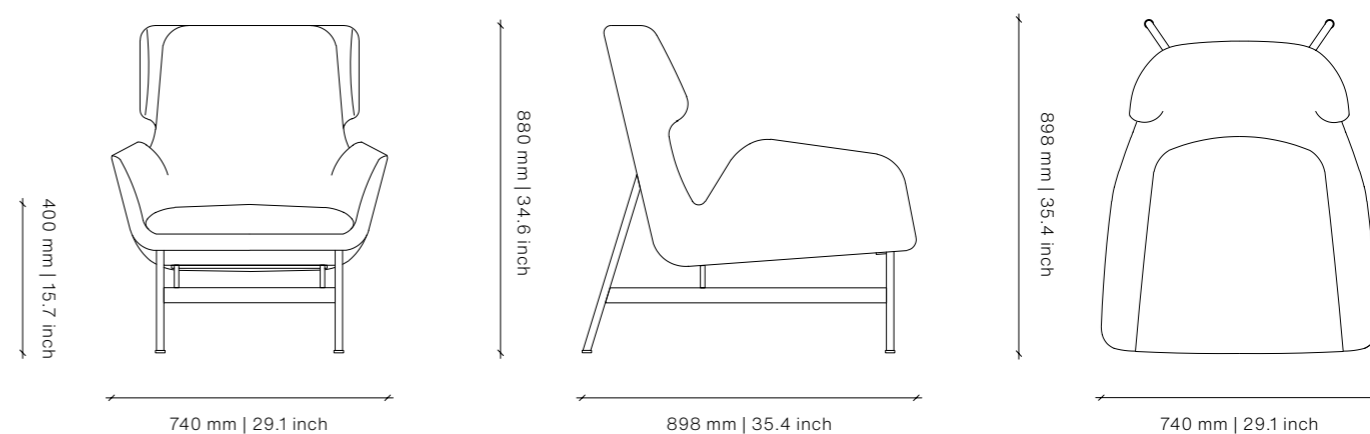
COM 6 m | 6.6 yd

COL 10.8 m² | 116.3 sq ft

OKHA

NICCI NOUVEAU Armchair

DESIGN BY OKHA



Base



Polished Black Saddlewood Light Grey White
Stainless Steel Ferrograin Ferrograin Ferrograin Ferrograin

Dimensions (mm)

740W x 898D x 880H
Seat Height: 400

Dimensions (inches)

29.1W x 35.4D x 34.6H
Seat Height: 15.7

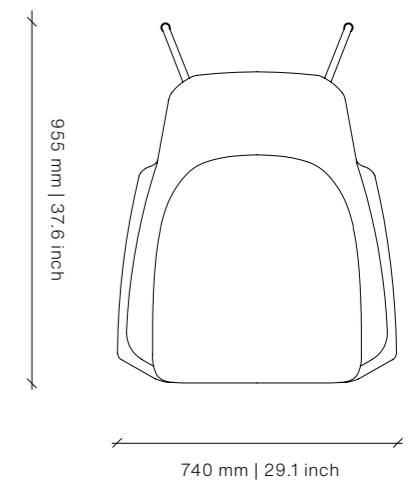
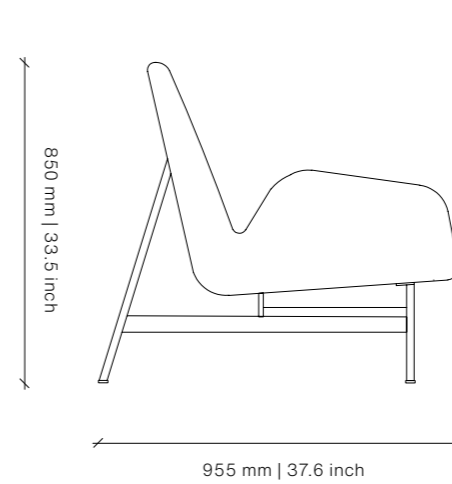
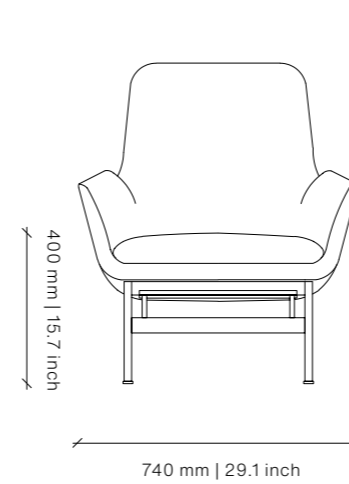
COM 6 m | 6.6 yd

OKHA



NICCI STEEL Armchair

DESIGN BY OKHA



Base



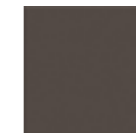
Polished
Stainless Steel



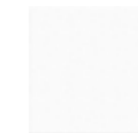
Black
Ferrograin



Saddlewood
Ferrograin



Light Grey
Ferrograin



White
Ferrograin

Dimensions (mm)

740W x 955D x 850H
Seat Height: 400

Dimensions (inches)

29.1W x 37.6D x 33.5H
Seat Height: 15.7

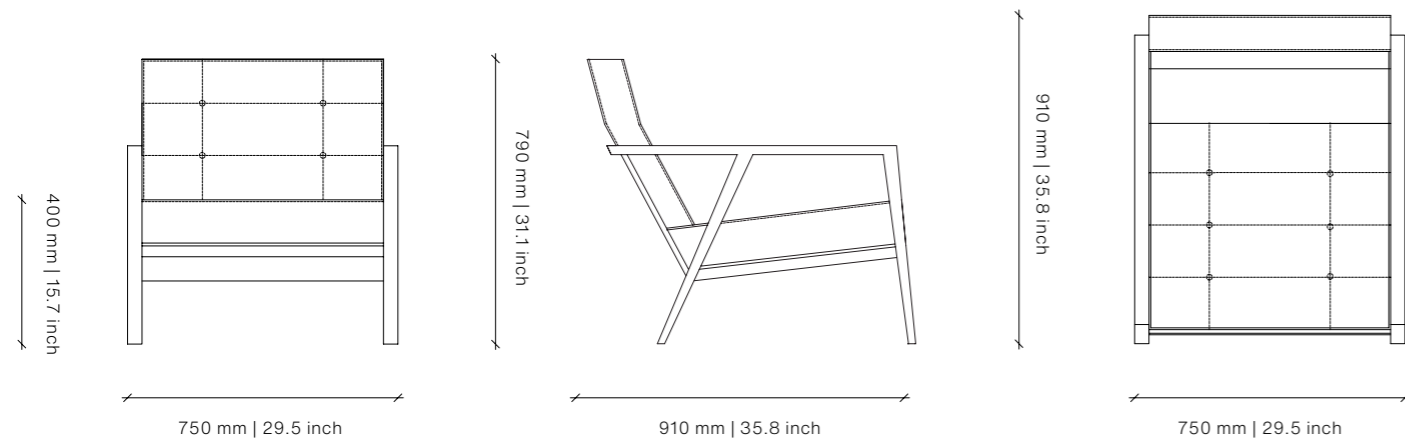
COM 6 m | 6.6 yd

COL 10.8 m² | 116.3 sq ft

OKHA

STM FULL ARM Armchair

DESIGN BY OKHA



Frame



Natural Ash Carbon Ash Dark Java Ash Mocca Ash Natural Walnut

Dimensions (mm)

750W x 910D x 790H
Seat Height: 400

Dimensions (inches)

29.5W x 35.8D x 31.1H
Seat Height: 15.7

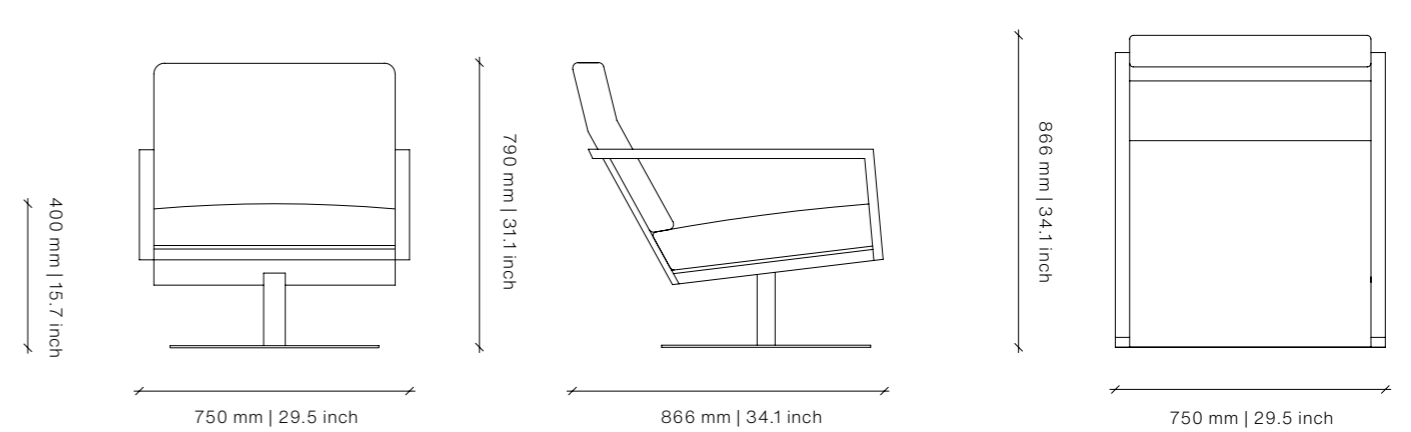
COM 5.5 m | 6 yd

COL 9.9 m² | 106.6 sq ft

OKHA

STM SWIVEL Armchair

DESIGN BY OKHA



Base



Black Ferrograin Saddlewood Ferrograin Light Grey Ferrograin White Ferrograin

Frame



Natural Ash Carbon Ash Dark Java Ash Mocca Ash Natural Walnut

Dimensions (mm)

750W x 886D x 790H
Seat Height: 400

Dimensions (inches)

29.5W x 34.1D x 31.1H
Seat Height: 15.7

COM 5.5 m | 6 yd

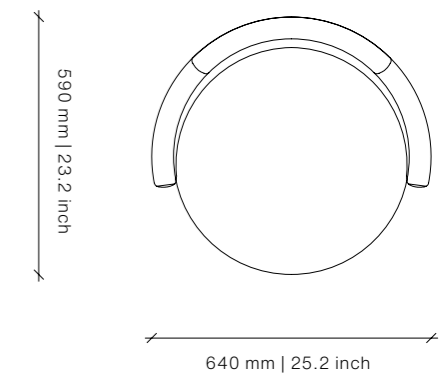
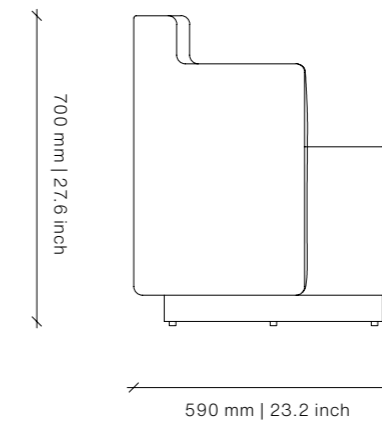
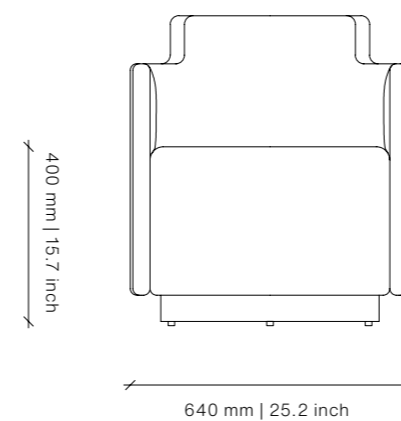
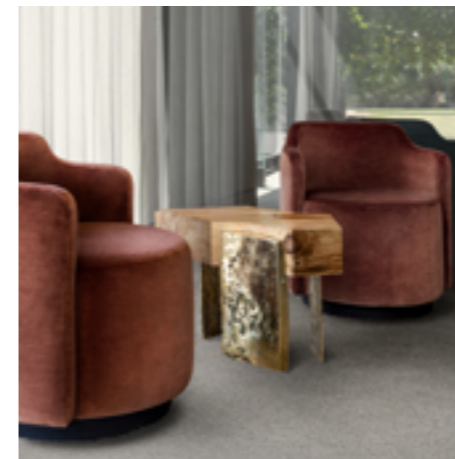
COL 9.9 m² | 106.6 sq ft

OKHA

OCCASIONAL CHAIRS

ROC TUB Occasional Chair

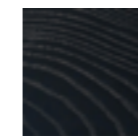
DESIGN BY OKHA



Base



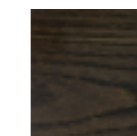
Natural Ash Veneer



Carbon Ash Veneer



Dark Java Ash Veneer



Mocca Ash Veneer



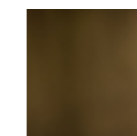
Natural Walnut Veneer



Polished Brass



Brushed Brass



Brushed & Oxidised Brass



Polished Stainless Steel

Dimensions (mm)

640W x 590D x 700H
Seat Height: 400

Dimensions (inches)

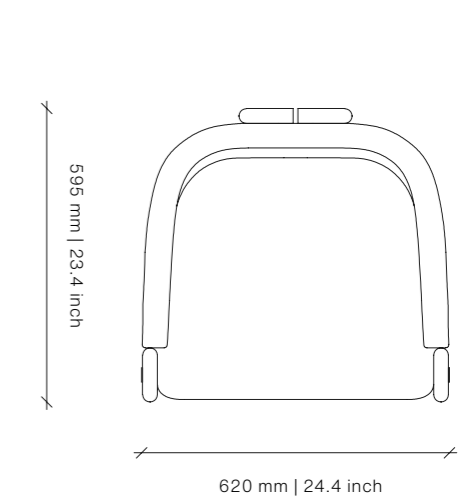
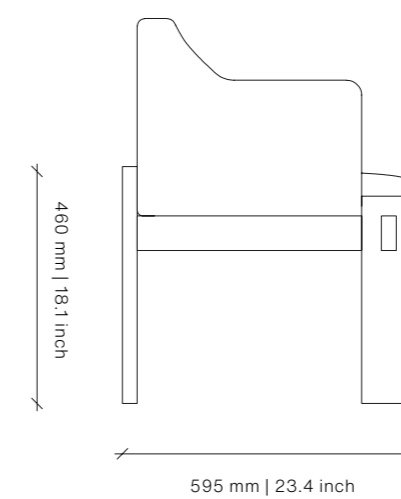
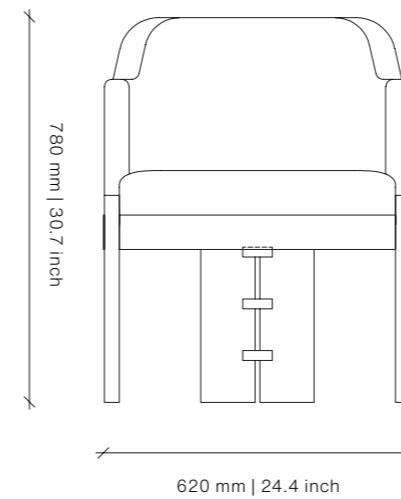
25.2W x 23.2D x 27.6H
Seat Height: 15.7

COM 5 m | 5.5 yd

DINING CHAIRS

AUGUSTE Dining Chair

DESIGN BY OKHA



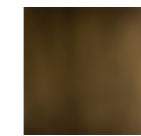
Inlay



Polished
Brass



Brushed
Brass

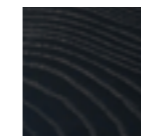


Brushed &
Oxidised
Brass

Frame



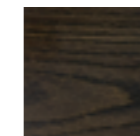
Natural
Ash



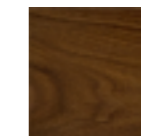
Carbon
Ash



Dark Java
Ash



Mocca
Ash



Natural
Walnut

Dimensions (mm)

620W x 595D x 780H
Seat Height: 460

Dimensions (inches)

24.4W x 23.4D x 30.7H
Seat Height: 18.1

COM: 2.5 m | 2.7 yd

COL: 4.5 m² | 48.4 sq ft

OKHA

OKHA

BALDUCCI Dining Chair

DESIGN BY OKHA



Frame



Natural Ash Carbon Ash Dark Java Ash Mocca Ash Natural Walnut

Dimensions (mm)

520W x 580D x 820H
Seat Height: 460

Dimensions (inches)

20.5W x 22.8D x 32.3H
Seat Height: 18.1

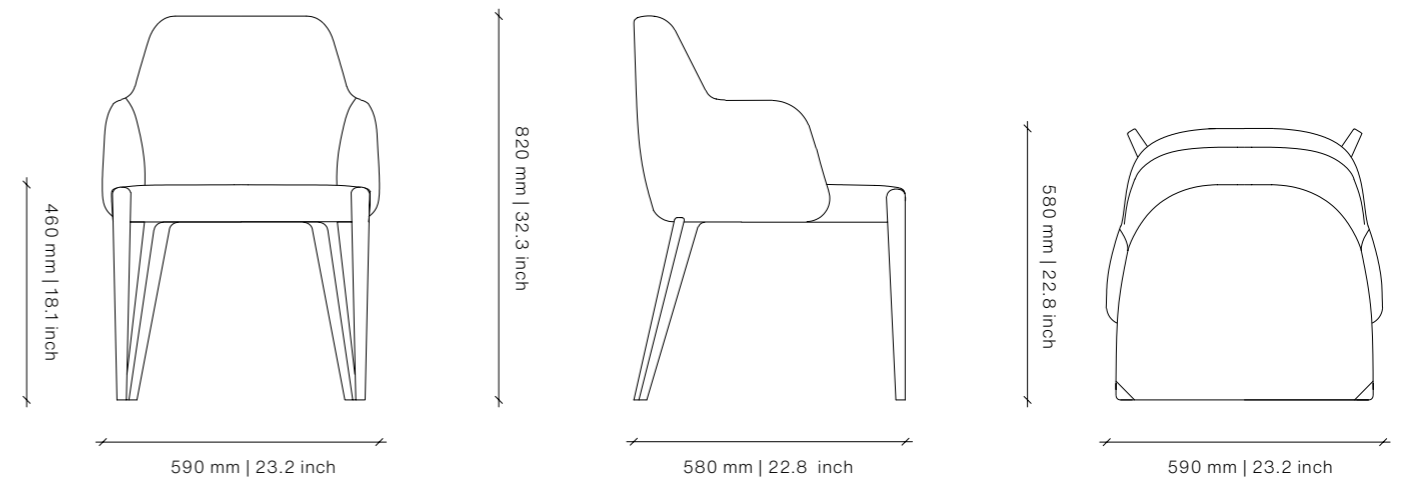
COM: 1.6 m | 1.8 yd

COL: 2.9 m² | 31 sq ft

OKHA

BALDUCCI CARVER Dining Chair

DESIGN BY OKHA



Frame



Natural Ash Carbon Ash Dark Java Ash Mocca Ash Natural Walnut

Dimensions (mm)

590W x 580D x 820H
Seat Height: 460

Dimensions (inches)

23.2W x 22.8D x 32.3H
Seat Height: 18.1

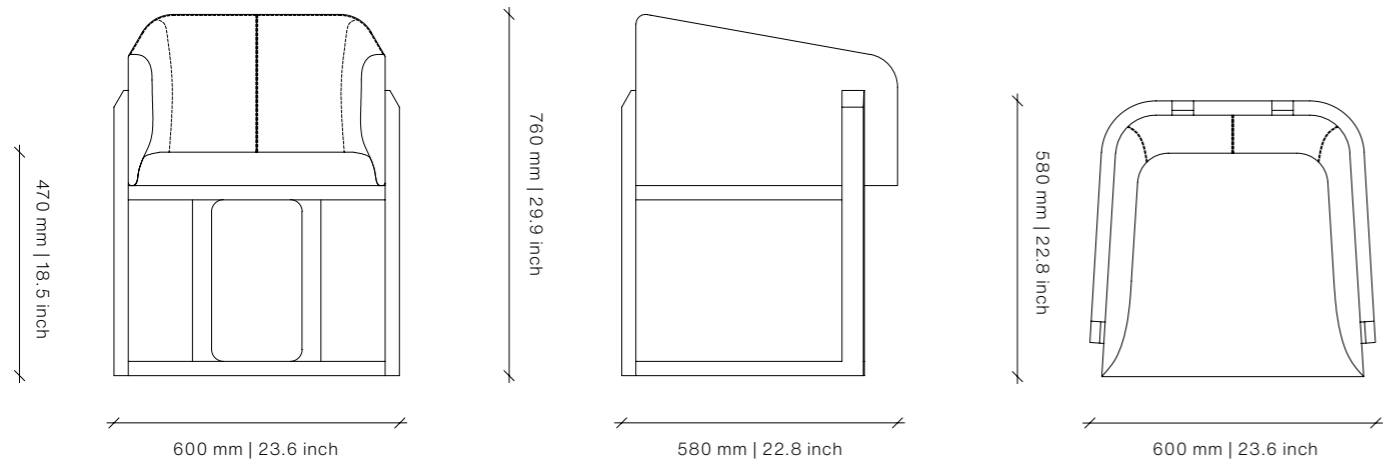
COM: 2.2 m | 2.4 yd

COL: 4 m² | 42.6 sq ft

OKHA

BARNETT SLIM Dining Chair

DESIGN BY OKHA



Frame



Natural Ash Carbon Ash Dark Java Ash Mocca Ash

Dimensions (mm)

600W x 580D x 760H
Seat Height: 470

Dimensions (inches)

23.6W x 22.8D x 29.9H
Seat Height: 18.5

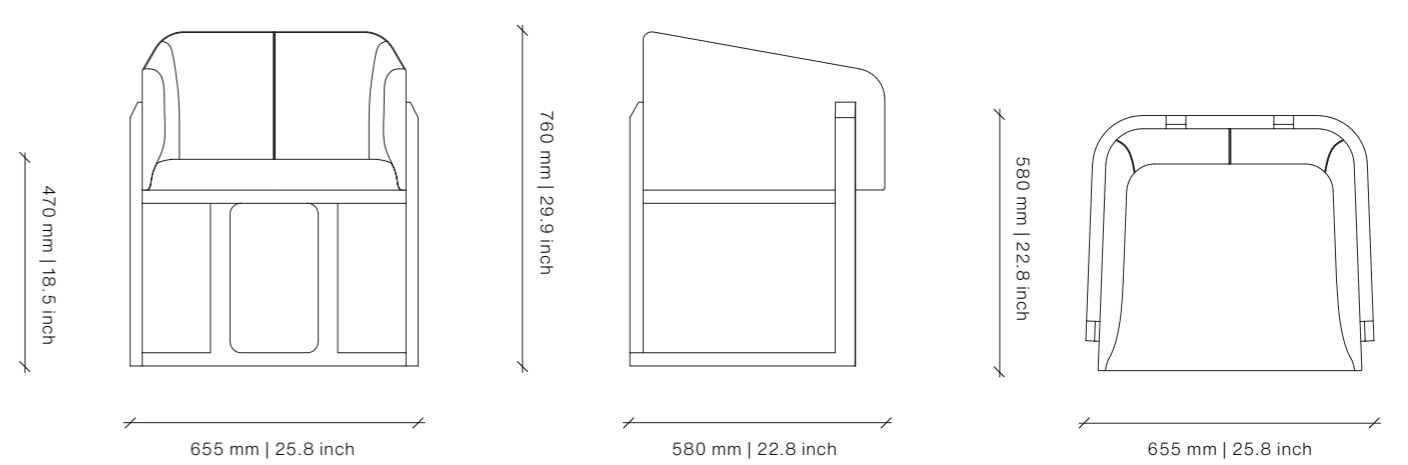
COM: 2.5 m | 2.7 yd

COL: 4.5 m² | 48.4 sq ft

OKHA

BARNETT Dining Chair

DESIGN BY OKHA



Frame



Natural Ash Carbon Ash Dark Java Ash Mocca Ash Natural Walnut

Dimensions (mm)

655W x 580D x 760H
Seat Height: 470

Dimensions (inches)

25.8W x 22.8D x 29.9H
Seat Height: 18.5

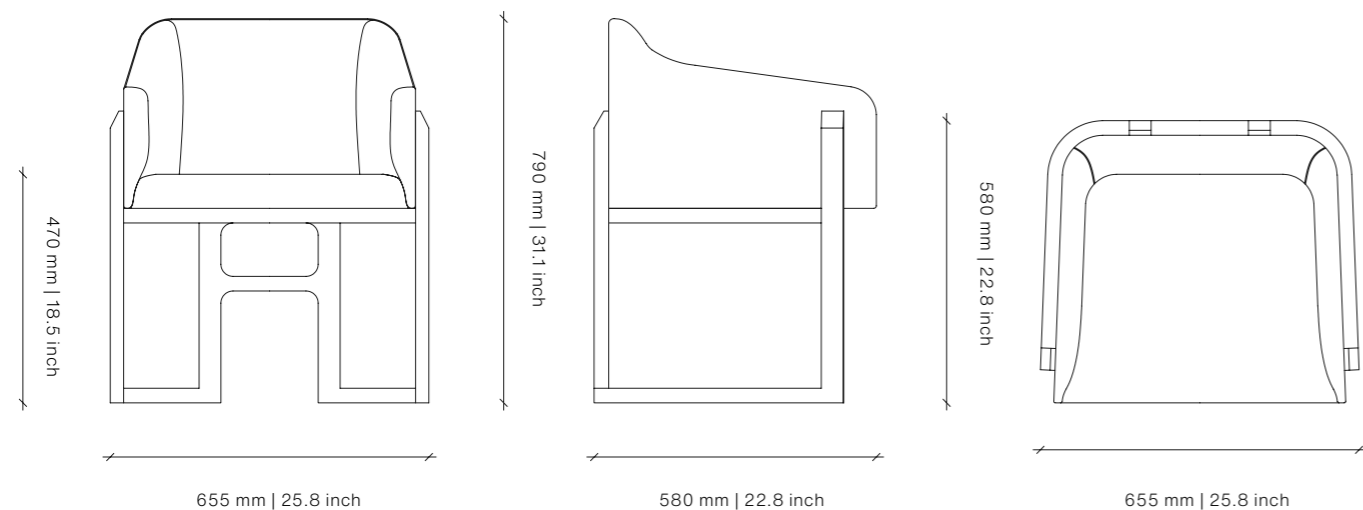
COM: 3 m | 3.3 yd

COL: 5.4 m² | 58.1 sq ft

OKHA

BNVO Dining Chair

DESIGN BY OKHA



Frame



Natural Ash Carbon Ash Dark Java Ash Mocca Ash Natural Walnut

Dimensions (mm)

655W x 580D x 790H
Seat Height: 470

Dimensions (inches)

25.8W x 22.8D x 31.1H
Seat Height: 18.5

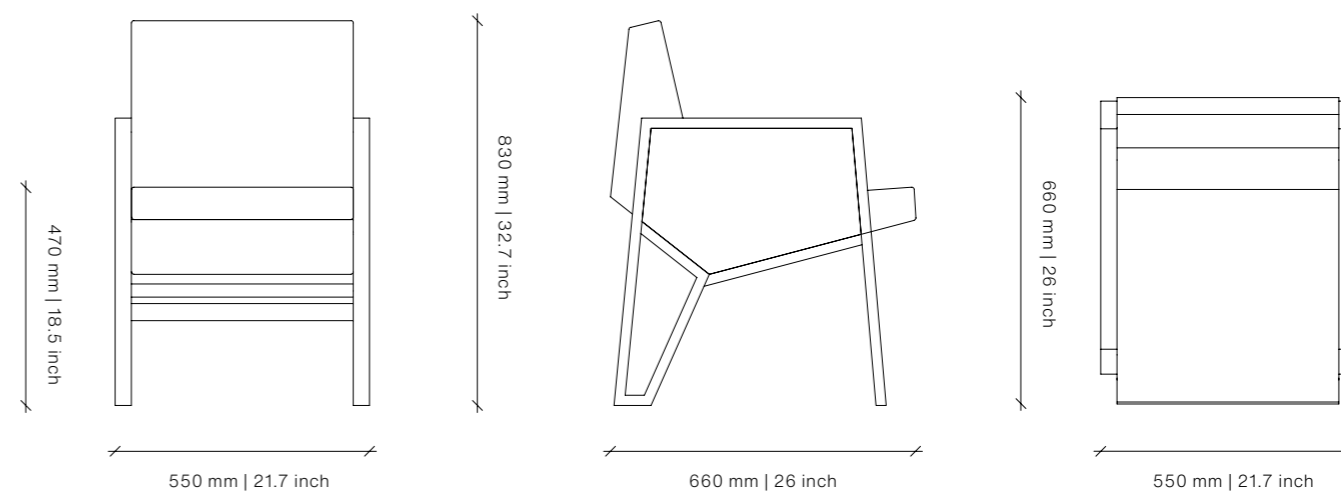
COM: 3 m | 3.3 yd

COL: 5.4 m² | 58.1 sq ft

OKHA

CURT Dining Chair

DESIGN BY OKHA



Frame



Natural Ash Carbon Ash Dark Java Ash Mocca Ash Natural Walnut

Dimensions (mm)

550W x 660D x 830H
Seat Height: 470

Dimensions (inches)

21.7W x 26D x 32.7H
Seat Height: 18.5

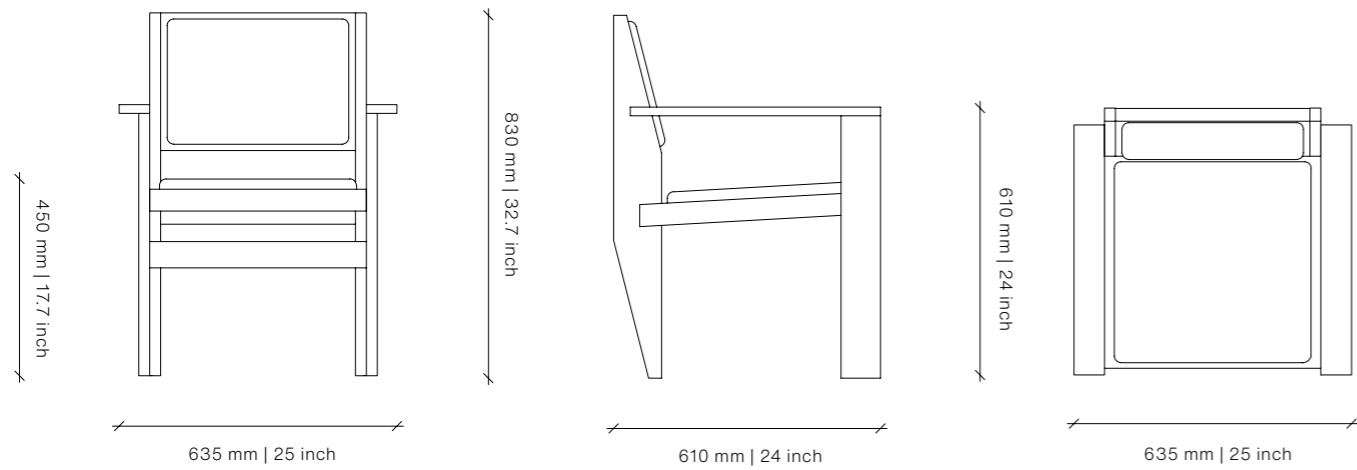
COM: 3 m | 3.3 yd

COL: 5.4 m² | 58.1 sq ft

OKHA

MORAMOUR Dining Chair

DESIGN BY OKHA



Frame



Natural Ash Carbon Ash Dark Java Ash Mocca Ash Natural Walnut

Dimensions (mm)

635W x 610D x 830H
Seat Height: 450

Dimensions (inches)

25W x 24D x 32.7H
Seat Height: 17.7

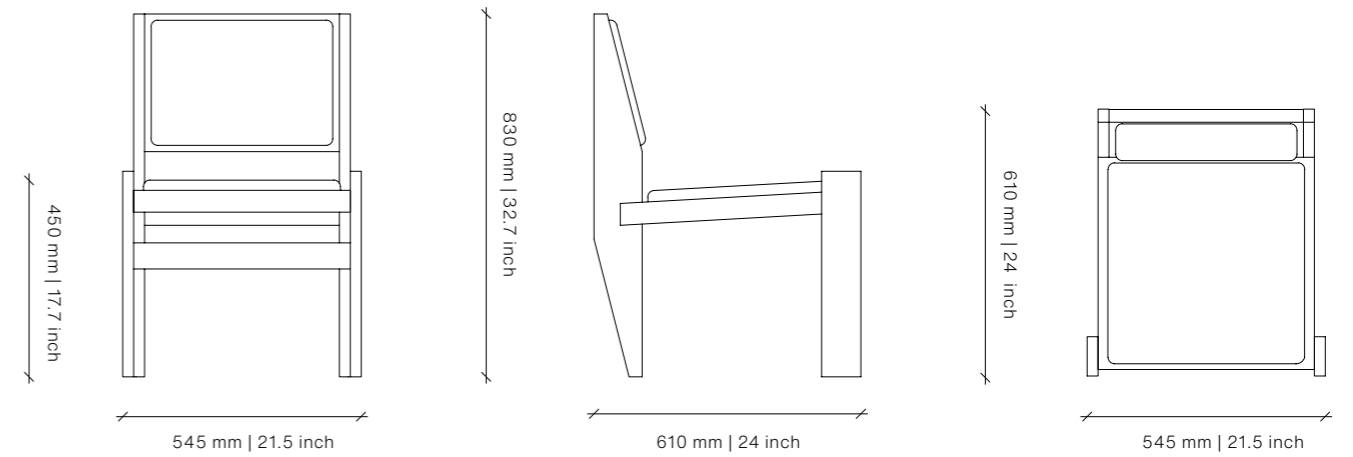
COM: 1.5 m | 1.6 yd

COL: 2.7 m² | 29.1 sq ft

OKHA

MORAMOUR ARMLESS Dining Chair

DESIGN BY OKHA



Frame



Natural Ash Carbon Ash Dark Java Ash Mocca Ash Natural Walnut

Dimensions (mm)

545W x 610D x 830H
Seat Height: 450

Dimensions (inches)

21.5W x 24D x 32.7H
Seat Height: 17.7

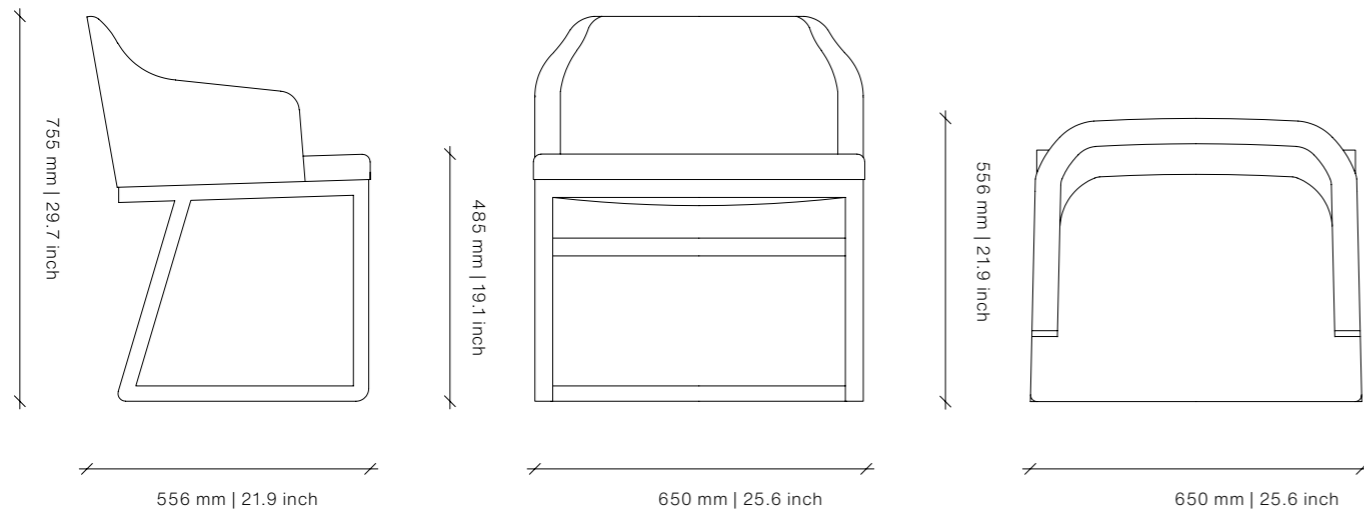
COM: 1.5 m | 1.6 yd

COL: 2.7 m² | 29.1 sq ft

OKHA

TOFU Dining Chair

DESIGN BY OKHA



Frame



Natural Ash Carbon Ash Dark Java Ash Mocca Ash Natural Walnut

Dimensions (mm)

650W x 556D x 755H
Seat Height: 485

Dimensions (inches)

25.6W x 21.9D x 29.7H
Seat Height: 19.1

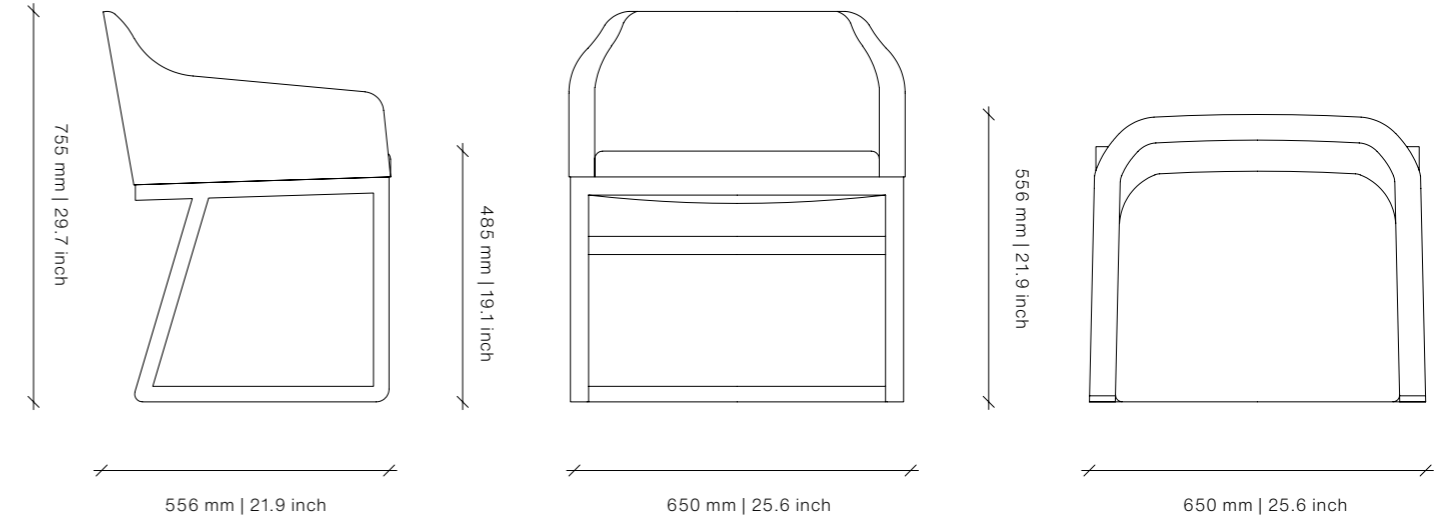
COM: 2.5 m | 2.7 yd

COL: 4.5 m² | 48.4 sq ft

OKHA

TOFU CARVER Dining Chair

DESIGN BY OKHA



Frame



Natural Ash Carbon Ash Dark Java Ash Mocca Ash Natural Walnut

Dimensions (mm)

650W x 556D x 755H
Seat Height: 485

Dimensions (inches)

25.6W x 21.9D x 29.7H
Seat Height: 19.1

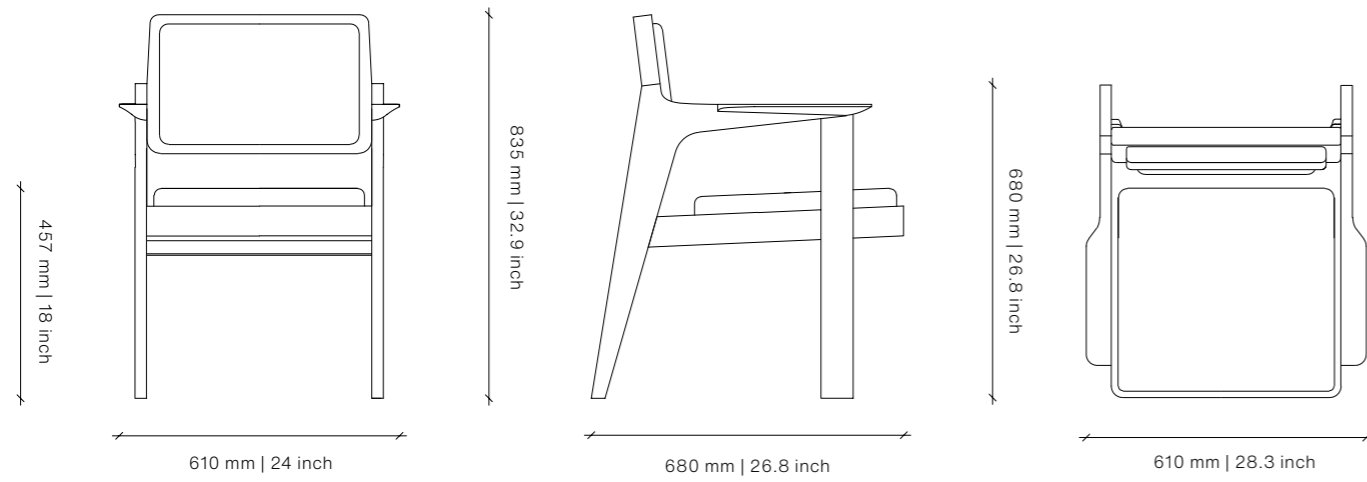
COM: 2.5 m | 2.7 yd

COL: 4.5 m² | 48.4 sq ft

OKHA

TORO Dining Chair

DESIGN BY OKHA

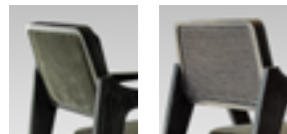


Frame



Natural Ash Carbon Ash Dark Java Ash Mocca Ash Natural Walnut

Back



Upholstered Back Rattan Back

Dimensions (mm)

610W x 680D x 835H
Seat Height: 457

Dimensions (inches)

24W x 26.8D x 32.9H
Seat Height: 18

COM: 1.5 m | 1.6 yd

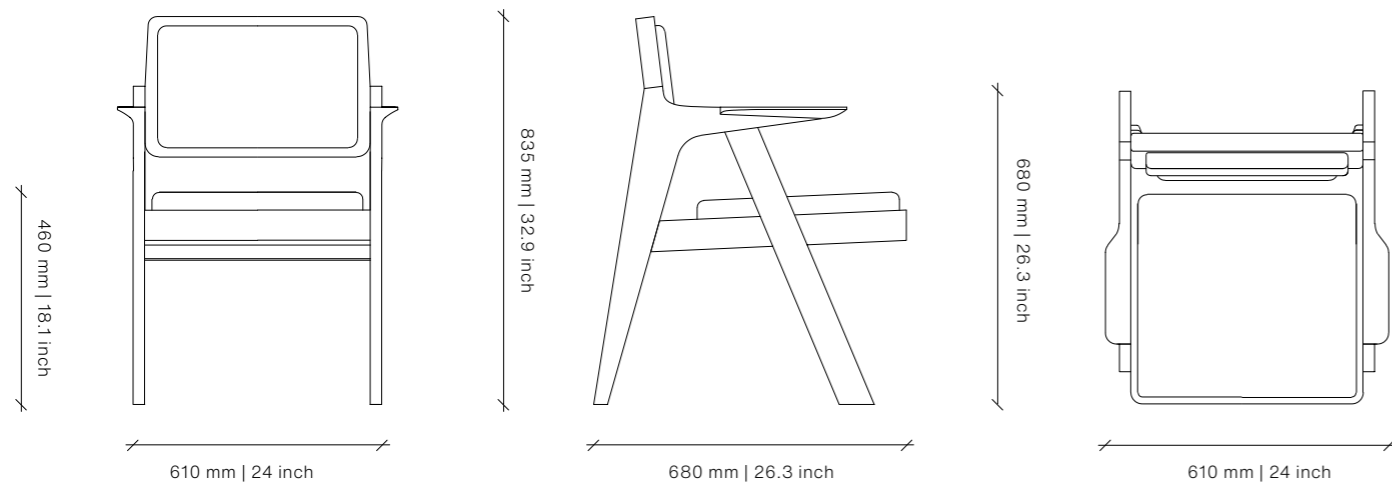
COL: 2.7 m² | 29.1 sq ft



OKHA

TORO A FRAME Dining Chair

DESIGN BY OKHA

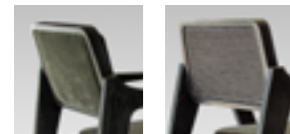


Frame



Natural Ash Carbon Ash Dark Java Ash Mocca Ash Natural Walnut

Back



Upholstered Back Rattan Back

Dimensions (mm)

610W x 680D x 835H
Seat Height: 457

Dimensions (inches)

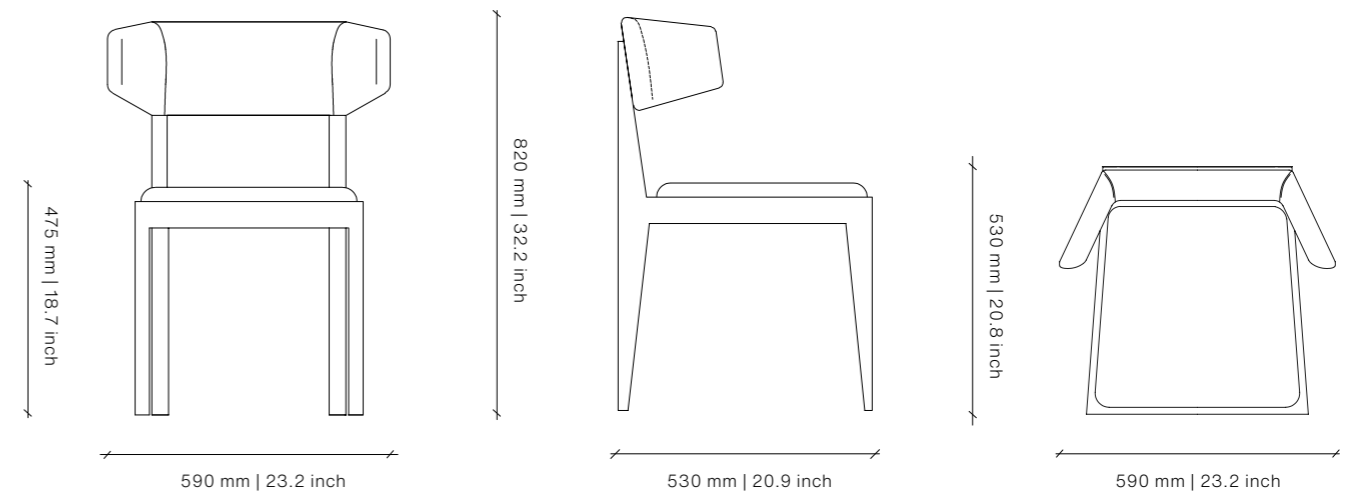
24W x 26.8D x 32.9H
Seat Height: 18

COM: 1.5 m | 1.6 yd

COL: 2.7 m² | 29.1 sq ft

VERB Dining Chair

DESIGN BY OKHA



Frame



Natural Ash Carbon Ash Dark Java Ash Mocca Ash Natural Walnut

Dimensions (mm)

590W x 530D x 820H
Seat Height: 475

Dimensions (inches)

23.2W x 20.8D x 32.2H
Seat Height: 18.7

COM: 1.4 m | 1.5 yd

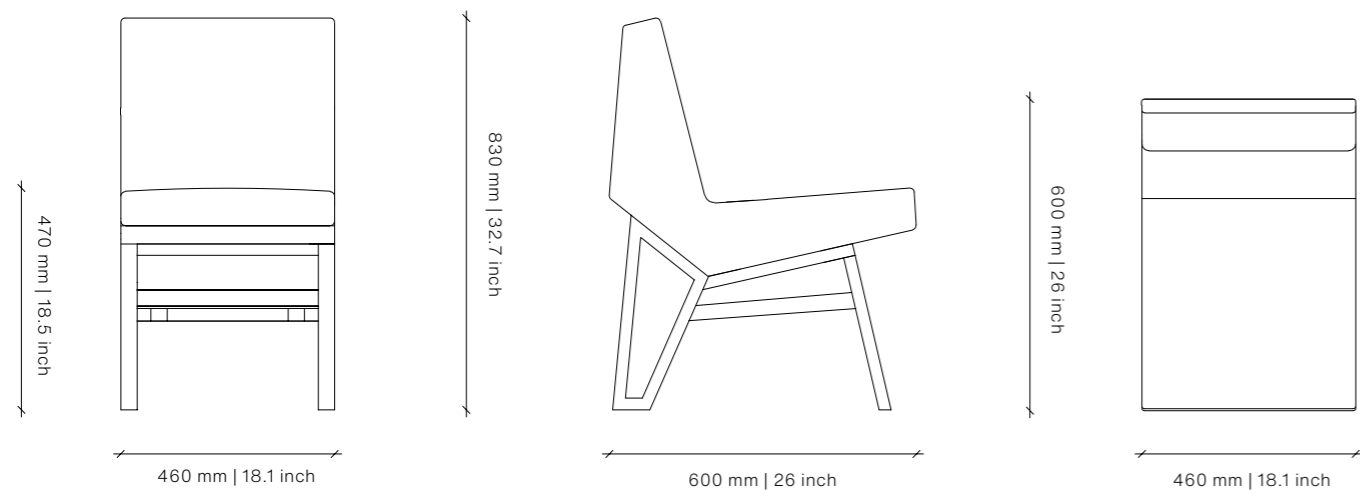
COL: 2.5 m² | 27.1 sq ft

OKHA

OKHA

VOLT Dining Chair

DESIGN BY OKHA



Frame



Natural Ash Carbon Ash Dark Java Ash Mocca Ash Natural Walnut

Dimensions (mm)
460W x 600D x 830H
Seat Height: 470

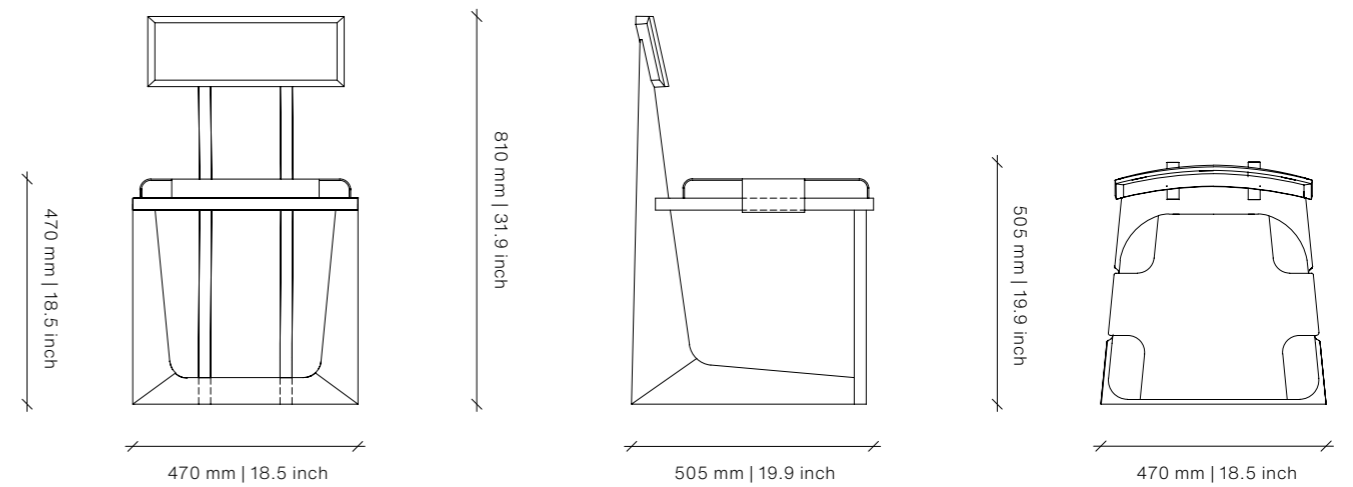
Dimensions (inches)
18.1W x 26D x 32.7H
Seat Height: 18.5

COM: 2 m | 2.2 yd
COL: 3.6 m² | 38.8 sq ft

OKHA

VOID Dining Chair

DESIGN BY OKHA



Frame



Natural Ash Carbon Ash Dark Java Ash Mocca Ash Natural Walnut

Dimensions (mm)
470W x 505D x 810H
Seat Height: 470

Dimensions (inches)
18.5W x 19.9D x 31.9H
Seat Height: 18.5

COL: 1.6 m² | 17.2 sq ft

OKHA

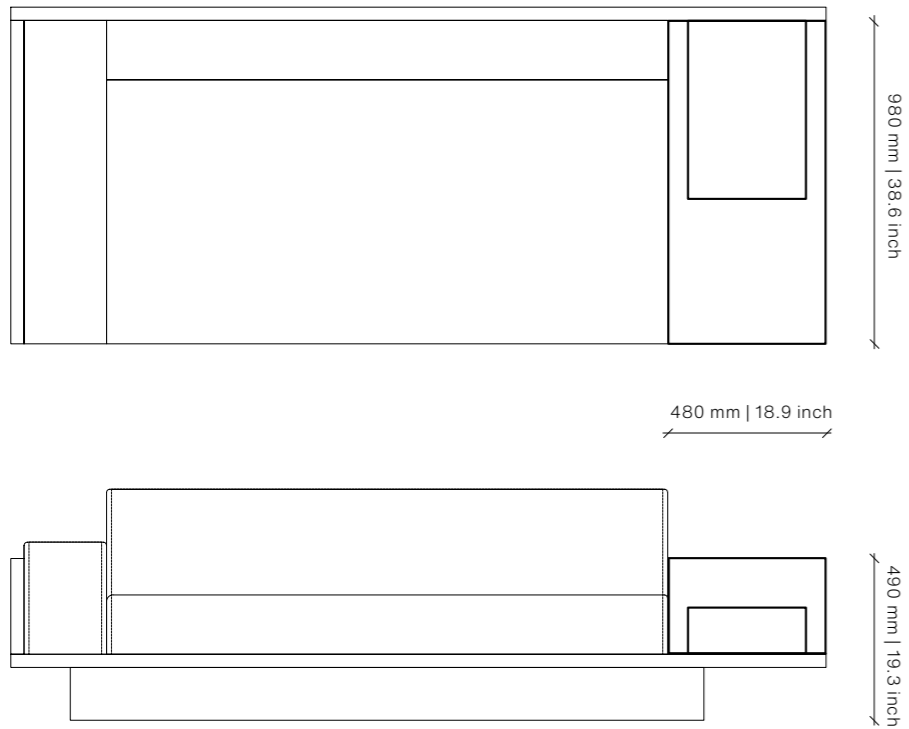
SOFAS



OKHA

CONSTRUCT DRAWER Sofa

DESIGN BY OKHA

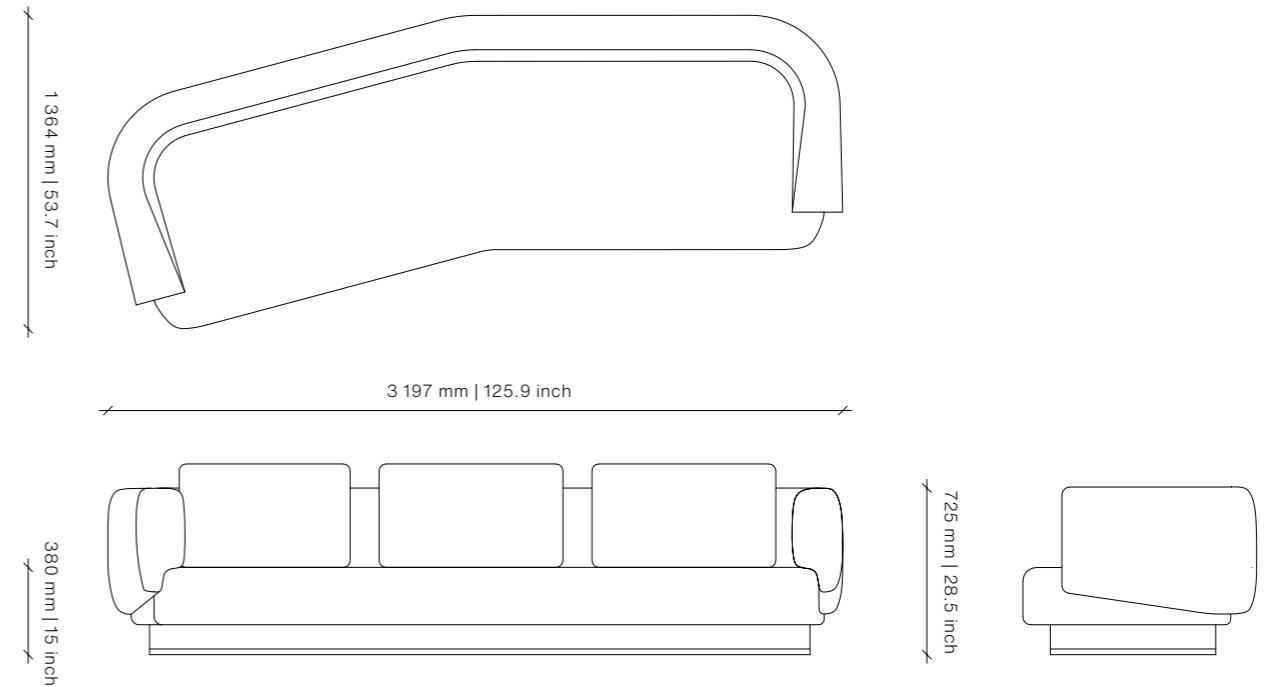


Dimensions (mm)
440W mm increase on sofa dimension

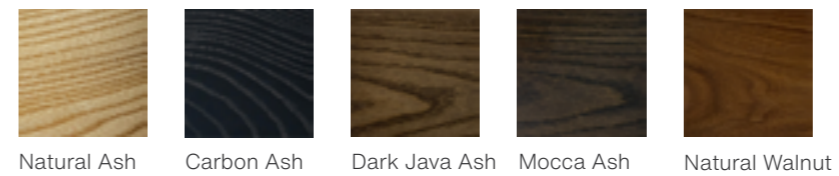
Dimensions (inches)
16.3 inch increase on sofa dimension

CAPE 15 Sofa

DESIGN BY OKHA



Plinth



Dimensions (mm)
3197W x 1364D x 725H
Seat Height: 380

Dimensions (inches)
125.9W x 53.7D x 28.5H
Seat Height: 15

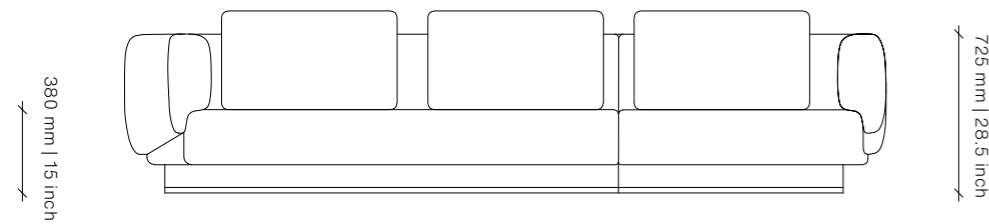
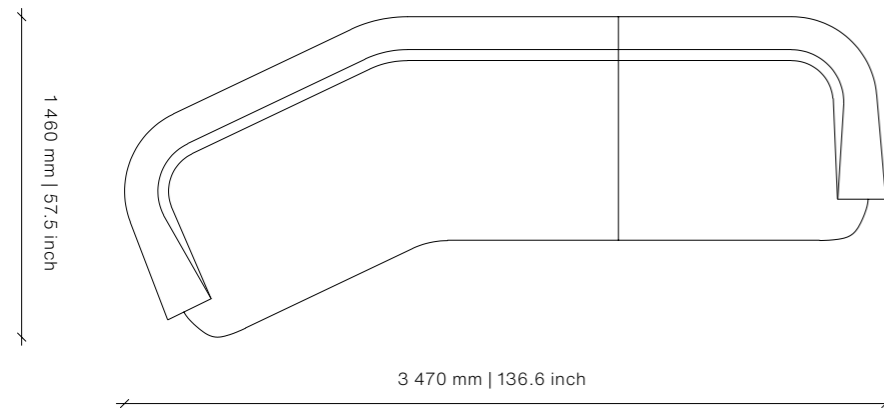
COM 26m | 28.4yd

OKHA

OKHA

CAPE 25 Sofa

DESIGN BY OKHA



Plinth



Natural Ash Carbon Ash Dark Java Ash Mocca Ash Natural Walnut

Dimensions (mm)

3470W x 1460D x 725H
Seat Height: 380

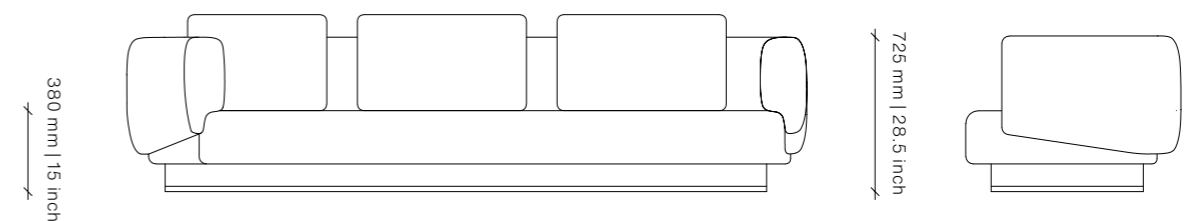
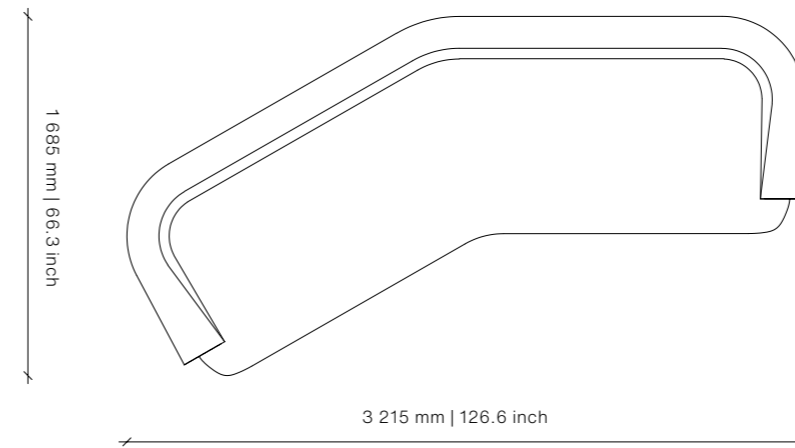
Dimensions (inches)

136.6W x 57.5D x 28.5H
Seat Height: 15

COM 26m | 28.4yd

CAPE 30 Sofa

DESIGN BY OKHA



Plinth



Natural Ash Carbon Ash Dark Java Ash Mocca Ash Natural Walnut

Dimensions (mm)

3215W x 1685D x 725H
Seat Height: 380

Dimensions (inches)

126.6W x 66.3D x 28.5H
Seat Height: 15

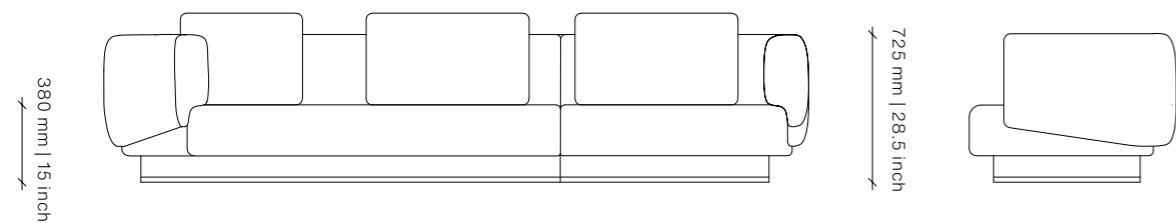
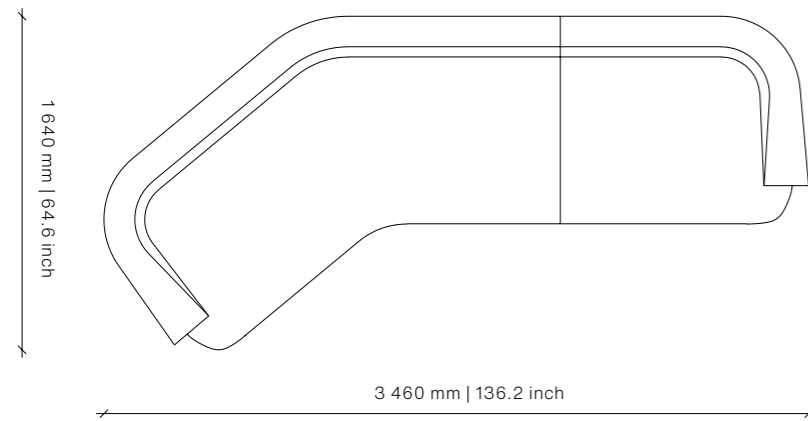
COM 26m | 28.4yd

OKHA

OKHA

CAPE 40 Sofa

DESIGN BY OKHA



Plinth



Natural Ash Carbon Ash Dark Java Ash Mocca Ash Natural Walnut

Dimensions (mm)

3460W x 1640D x 725H
Seat Height: 380

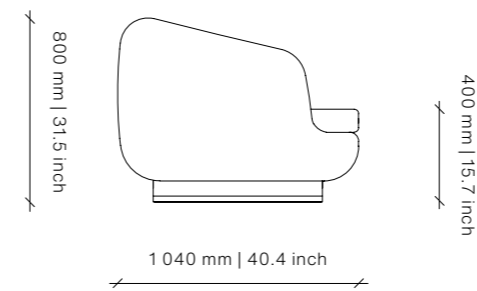
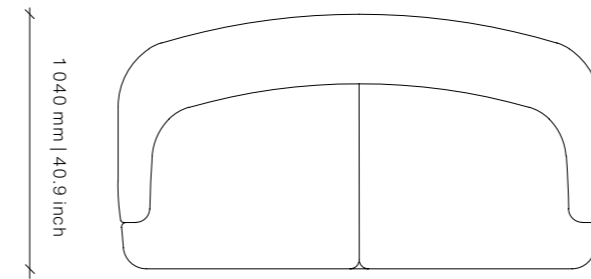
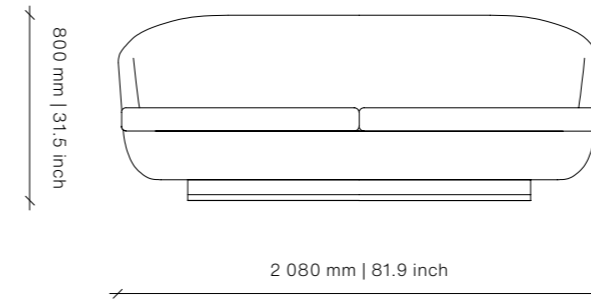
Dimensions (inches)

136.2W x 64.6D x 28.5H
Seat Height: 15

COM 26m | 28.4yd

GLOBE Sofa

DESIGN BY OKHA



Plinth



Natural Ash Carbon Ash Dark Java Ash Mocca Ash Natural Walnut

Dimensions (mm)

2080W x 1040D x 800H
Seat Height: 400

Dimensions (inches)

81.9W x 40.9D x 31.5H
Seat Height: 15.7

COM 13 m | 14.2 yd

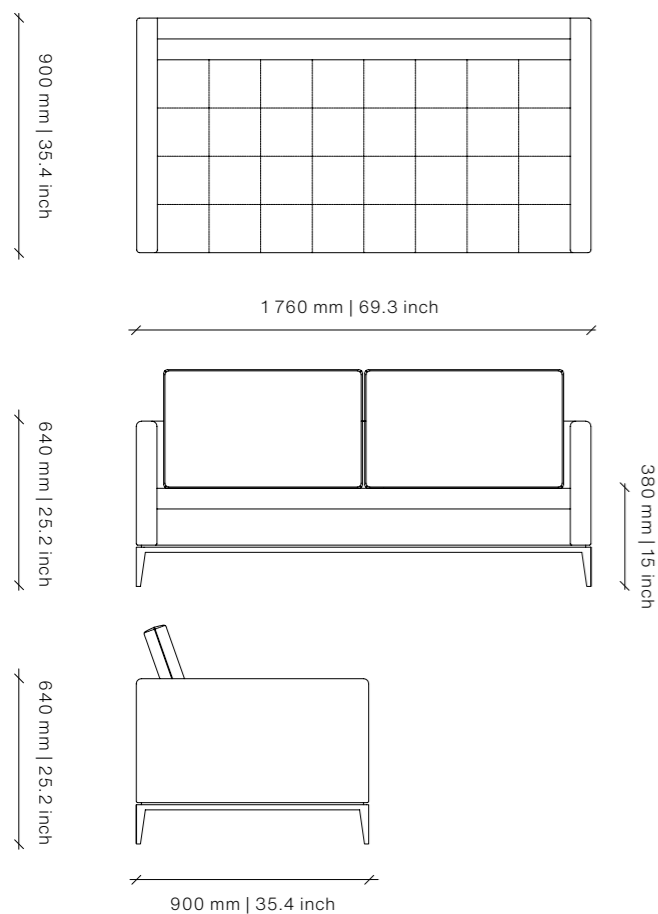


OKHA

OKHA

HUNT 2 SEATER Sofa

DESIGN BY OKHA



Base



Natural Ash Carbon Ash Dark Java Ash Mocca Ash Natural Walnut



Polished
Stainless Steel

Dimensions (mm)

1760W x 900D x 640H
Seat Height: 380

Dimensions (inches)

69.3W x 35.4D x 25.2H
Seat Height: 15

COM 10.5 m | 11.5 yd

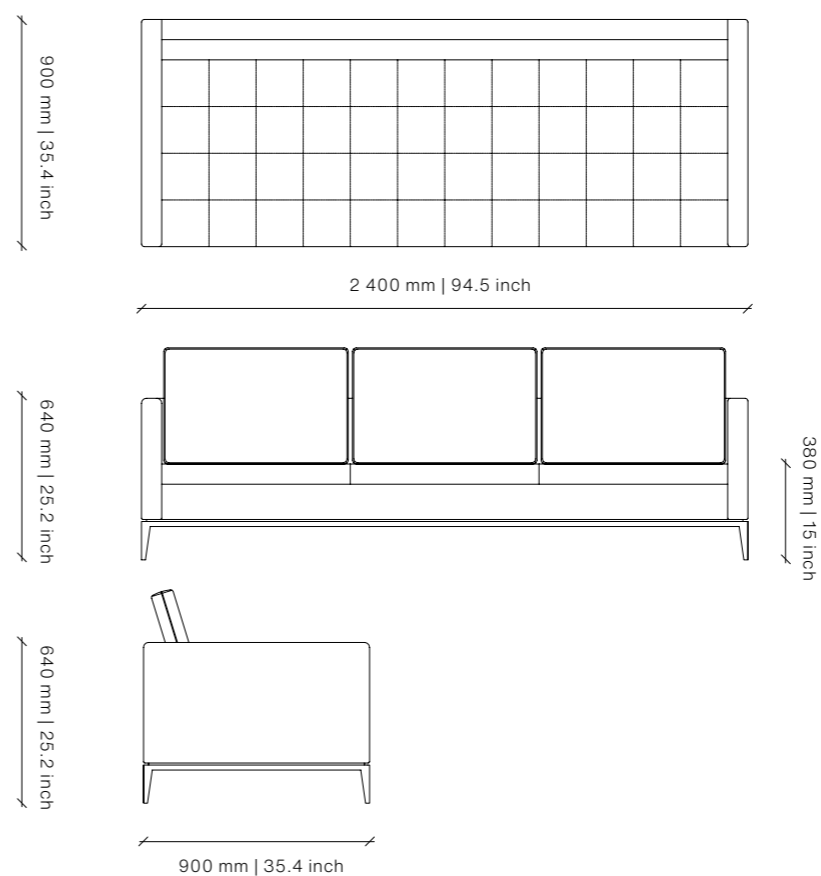
COL 18.9 m² | 203.4 sq ft



OKHA

HUNT 3 SEATER Sofa

DESIGN BY OKHA



Base



Natural Ash Carbon Ash Dark Java Ash Mocca Ash Natural Walnut



Polished
Stainless Steel

Dimensions (mm)

2400W x 900D x 640H
Seat Height: 380

Dimensions (inches)

94.5W x 35.4D x 25.2H
Seat Height: 15

COM 12.5 m | 13.7 yd

COL 22.5 m² | 242.2 sq ft

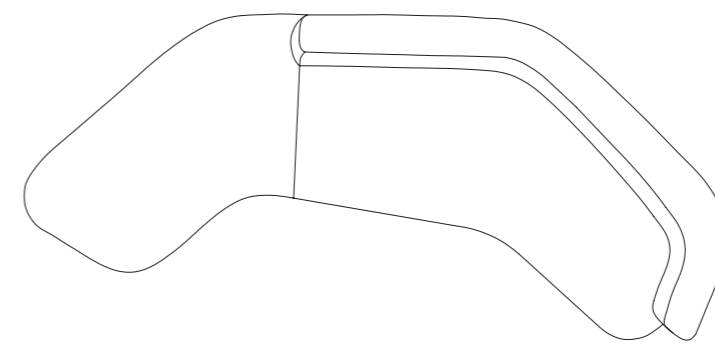


OKHA



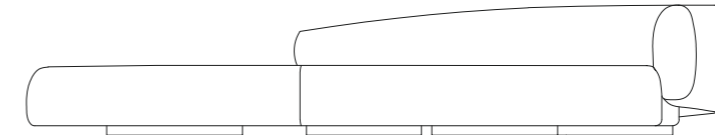
REPOSE MODULE A Sofa

DESIGN BY OKHA



1 715 mm | 67.5 inch

3 715 mm | 146.3 inch

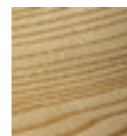
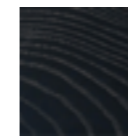

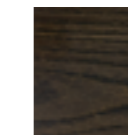
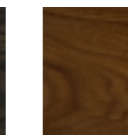

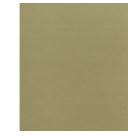
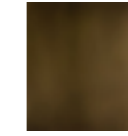



370 mm | 14.6 inch

690 mm | 27.2 inch



Plinth

- | | | | | |
|---|---|---|---|---|
|  |  |  |  |  |
| Natural Ash Veneer | Carbon Ash Veneer | Dark Java Ash Veneer | Mocca Ash Veneer | Natural Walnut Veneer |
|  |  |  |  | |
| Polished Brass | Brushed Brass | Brushed & Oxidized Brass | Polished Stainless Steel | |

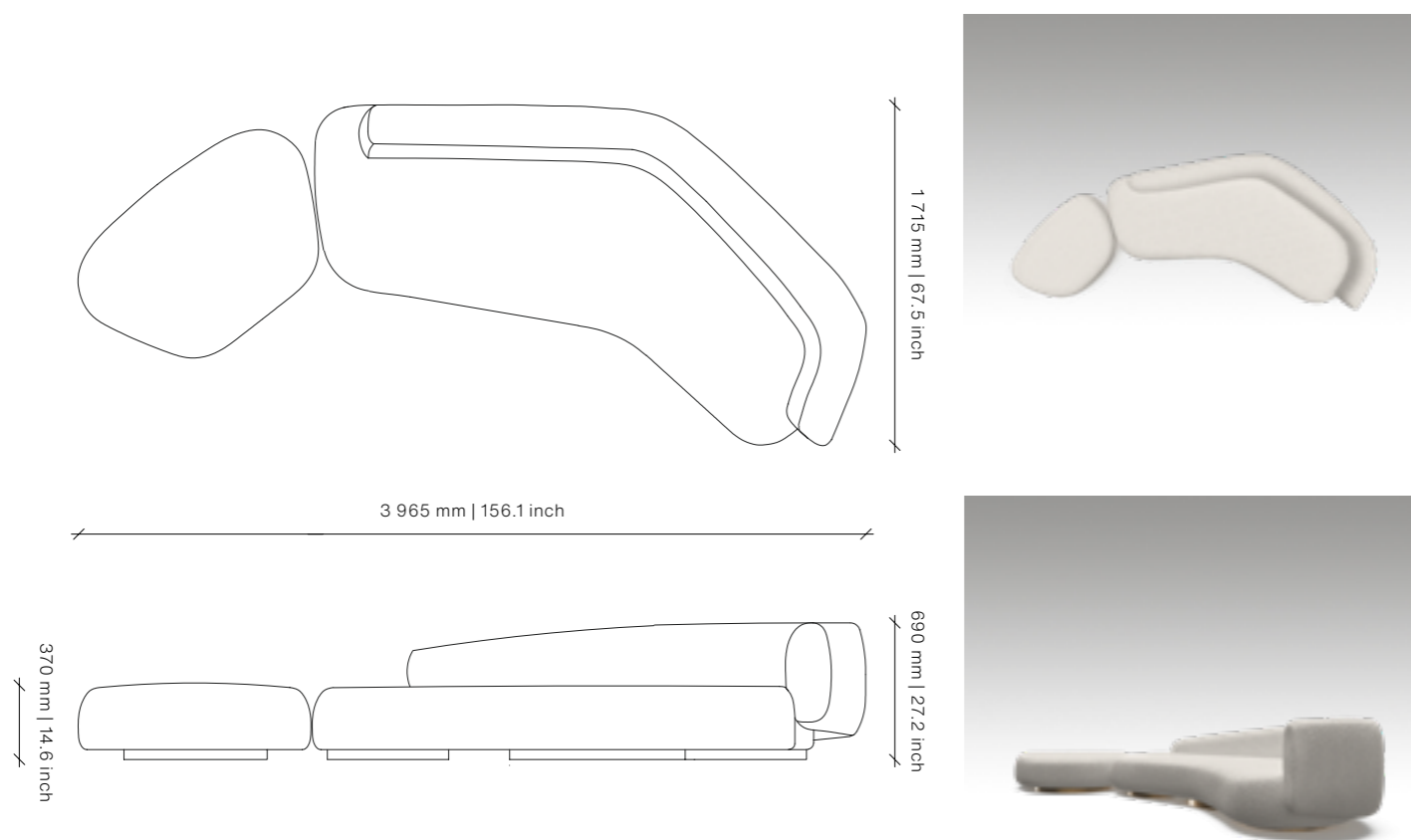
Dimensions (mm)
3 715W x 1 715D x 690H
Seat Height: 370

Dimensions (inches)
146.3W x 67.5D x 27.2H
Seat Height: 14.6

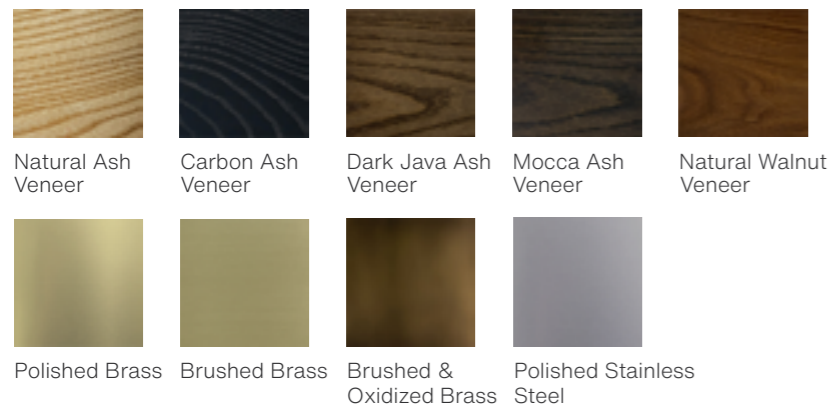
COM 15 m | 16.4 yd

REPOSE MODULE B Sofa

DESIGN BY OKHA



Plinth



Dimensions (mm)
3965W x 1715D x 690H
Seat Height: 370

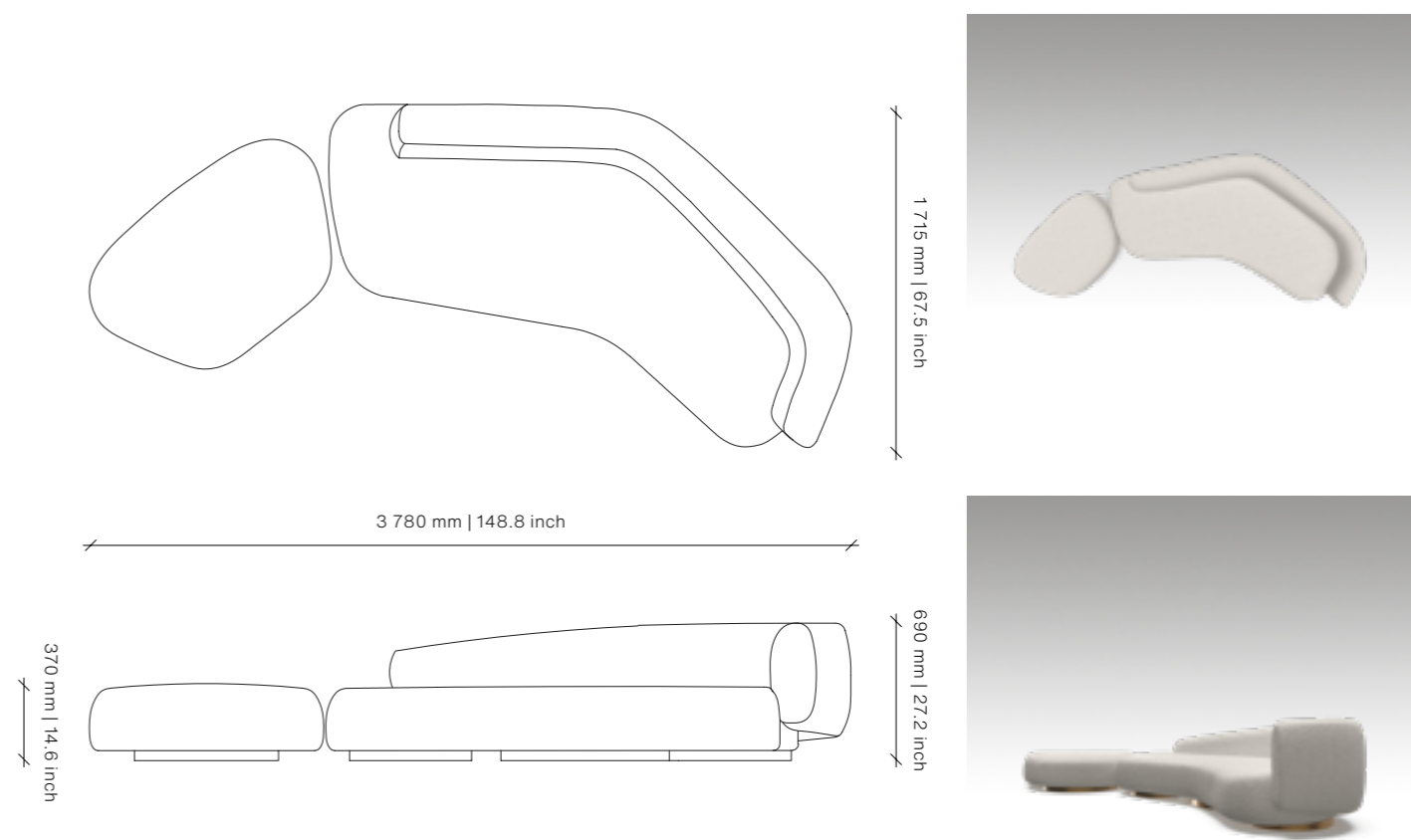
Dimensions (inches)
156.1W x 67.5D x 27.2H
Seat Height: 14.6

COM 15 m | 16.4 yd

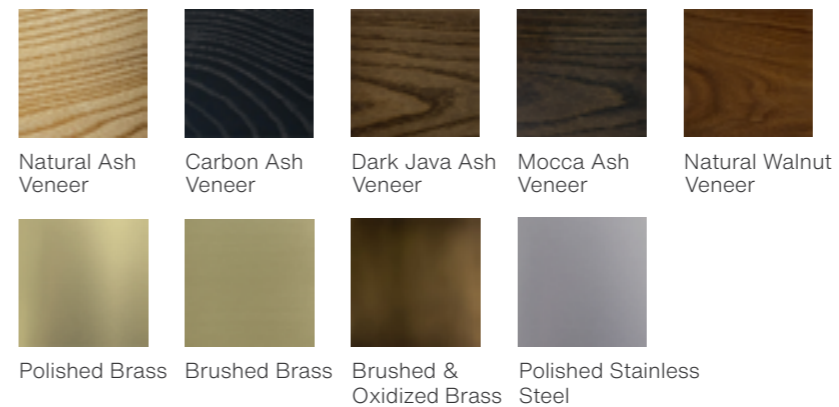
OKHA

REPOSE MODULE C Sofa

DESIGN BY OKHA



Plinth



Dimensions (mm)
3780W x 1715D x 690H
Seat Height: 370

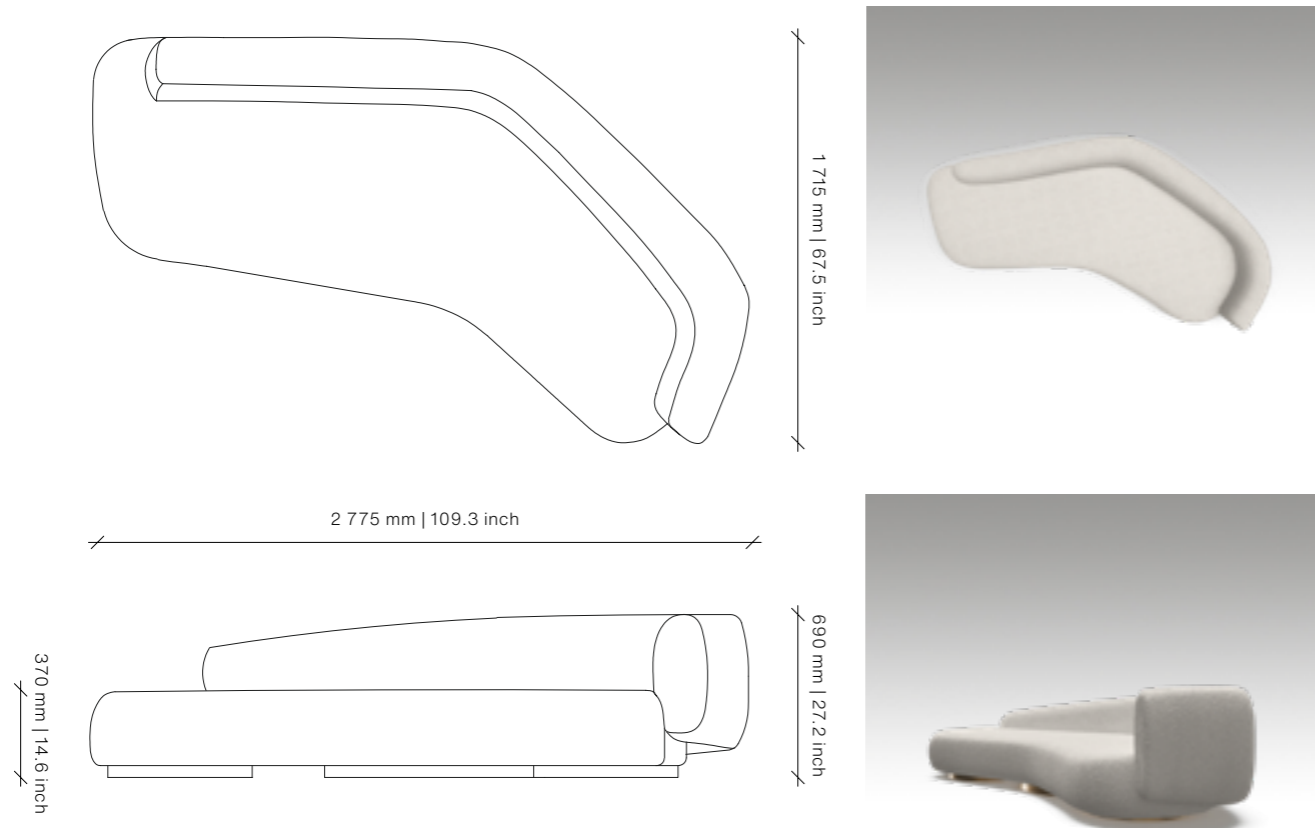
Dimensions (inches)
148.8W x 67.5D x 27.2H
Seat Height: 14.6

COM 15 m | 16.4 yd

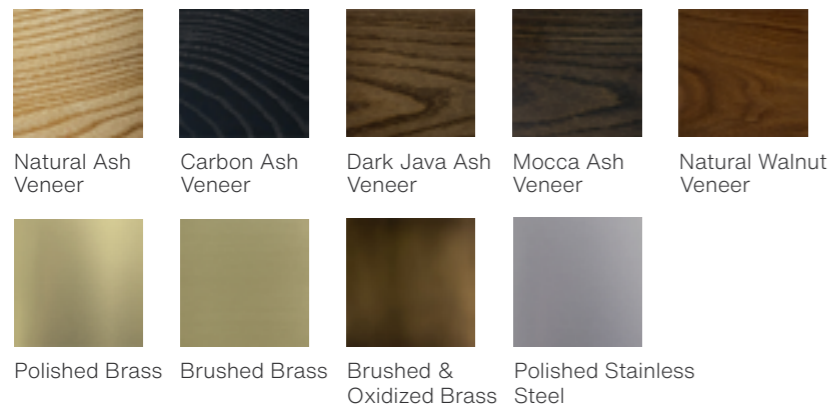
OKHA

REPOSE MODULE D Sofa

DESIGN BY OKHA



Plinth



Dimensions (mm)
2775W x 1715D x 690H
Seat Height: 370

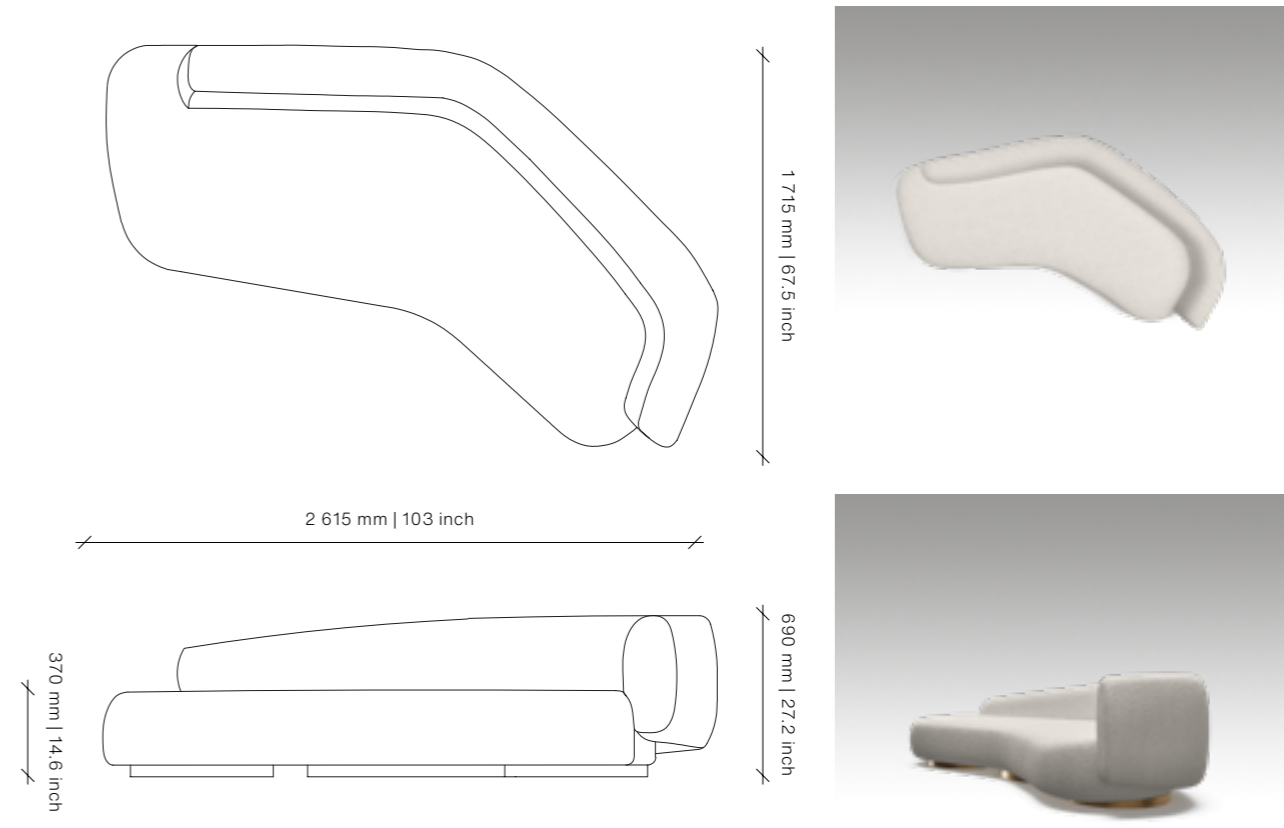
Dimensions (inches)
109.3W x 67.5D x 27.2H
Seat Height: 14.6

COM 12 m | 13.1 yd

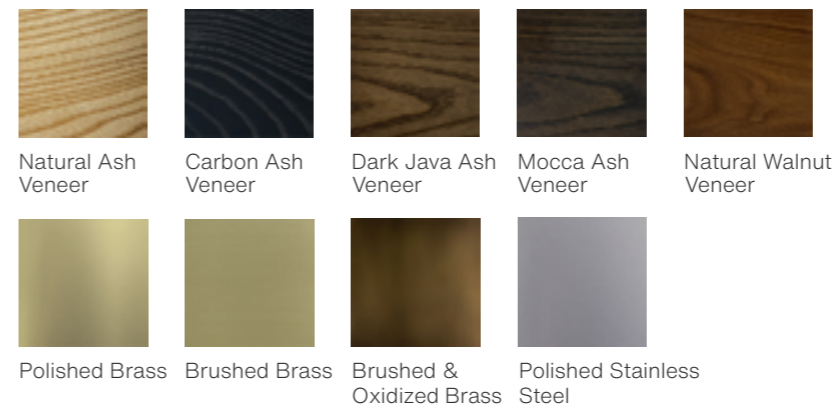
OKHA

REPOSE MODULE E Sofa

DESIGN BY OKHA



Plinth



Dimensions (mm)
2615W x 1715D x 690H
Seat Height: 370

Dimensions (inches)
103W x 67.5D x 27.2H
Seat Height: 14.6

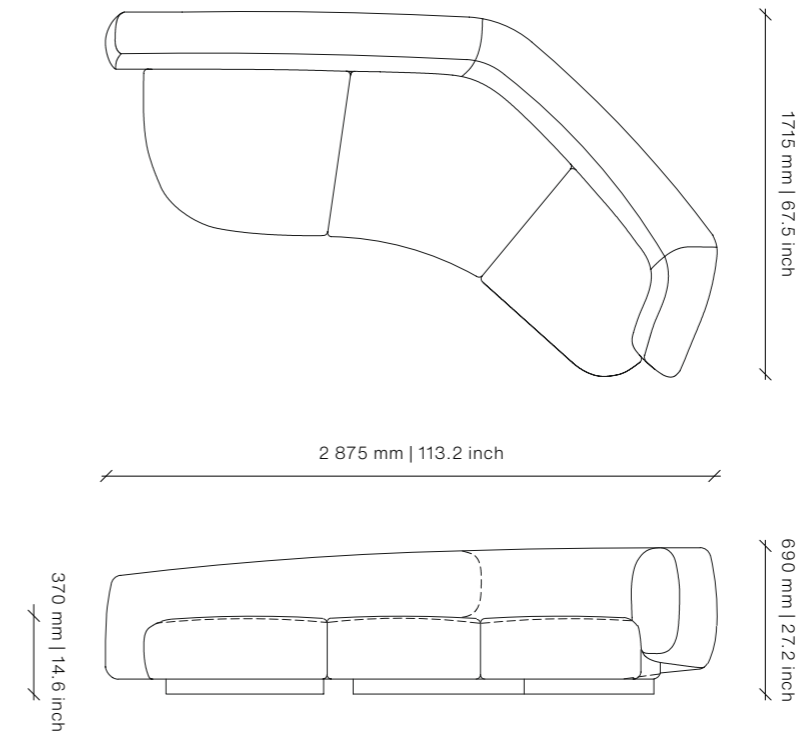
COM 12 m | 13.1 yd

OKHA



REPOSE MODULE F Sofa

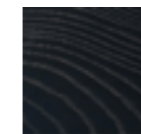
DESIGN BY OKHA



Plinth



Natural Ash Veneer



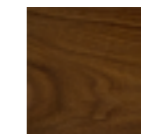
Carbon Ash Veneer



Dark Java Ash Veneer



Mocca Ash Veneer



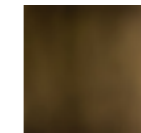
Natural Walnut Veneer



Polished Brass



Brushed Brass



Brushed & Oxidized Brass



Polished Stainless Steel

Dimensions (mm)

2 875W x 1 715D x 690H
Seat Height: 370

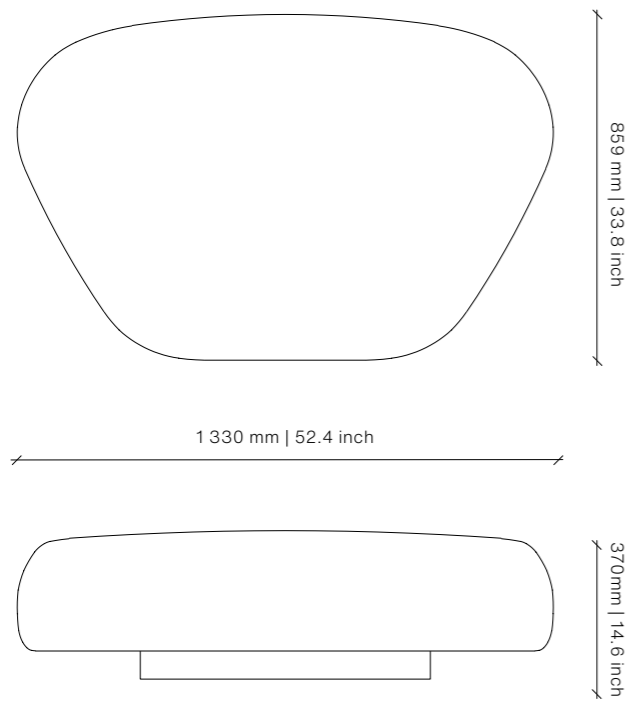
Dimensions (inches)

113.2W x 67.5D x 27.2H
Seat Height: 14.6

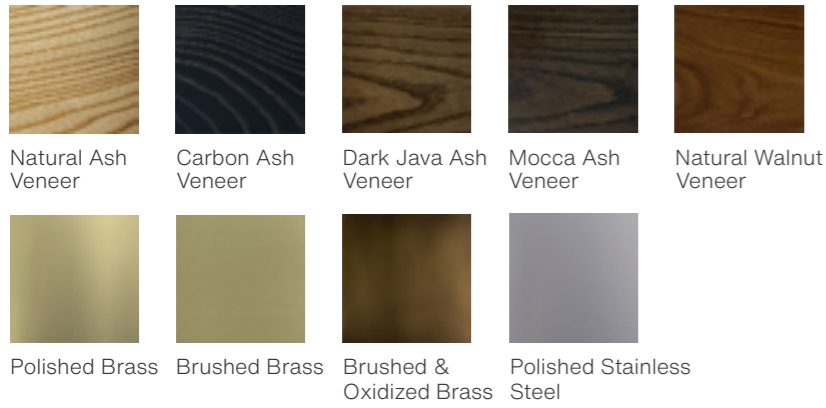
COM 15 m | 16.4 yd

REPOSE OTTOMAN Sofa

DESIGN BY OKHA



Plinth



Dimensions (mm)
1330W x 859D x 370H
Seat Height: 370

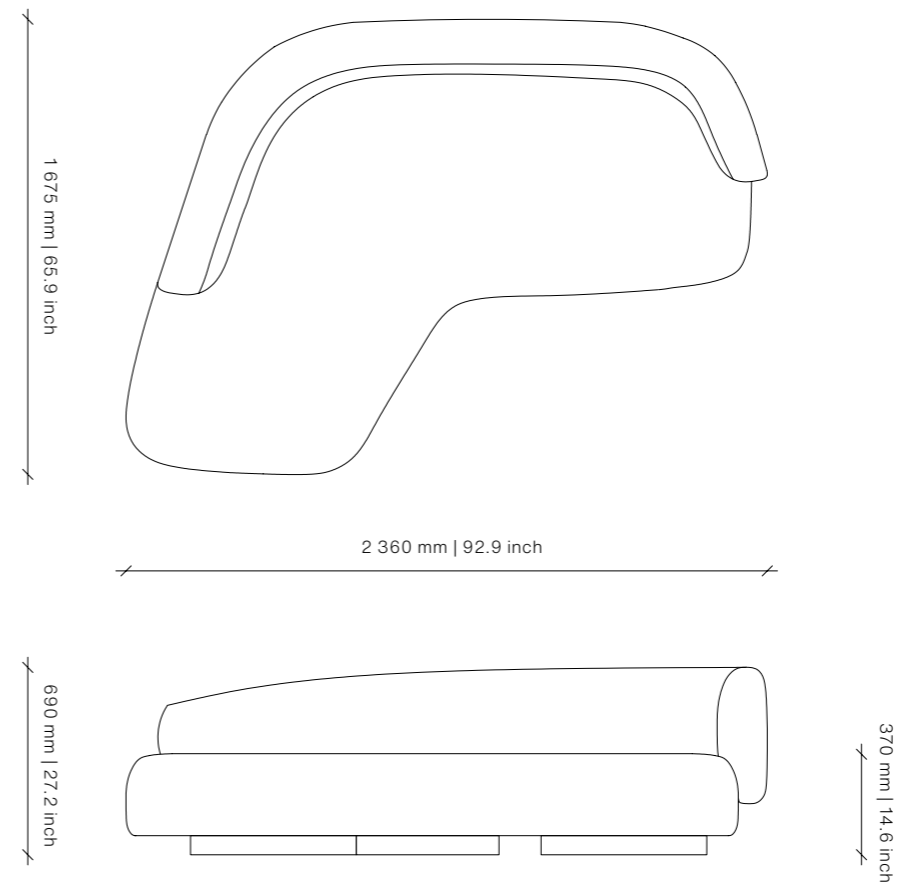
Dimensions (inches)
52.4W x 33.8D x 14.6H
Seat Height: 14.6

COM 3 m | 3.3 yd

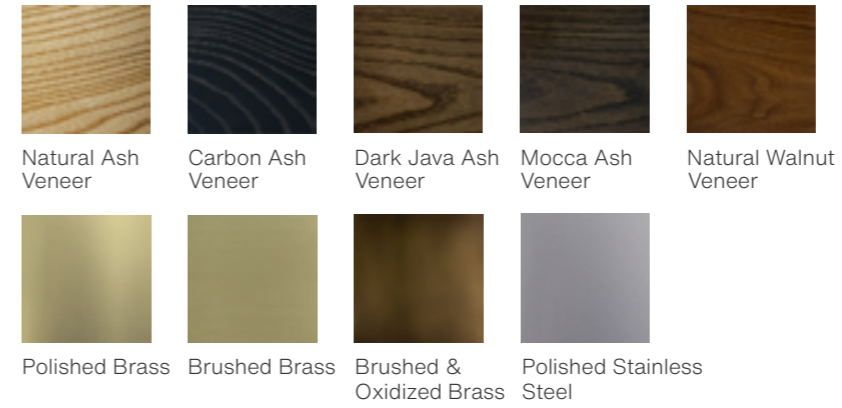
OKHA

REPOSE CHAISE Sofa

DESIGN BY OKHA



Plinth

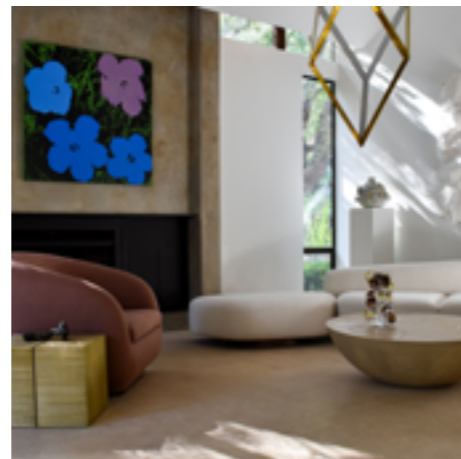


Dimensions (mm)
2360W x 1675D x 690H
Seat Height: 370

Dimensions (inches)
92.9W x 65.9D x 27.2H
Seat Height: 14.6

COM 12 m | 13.1 yd

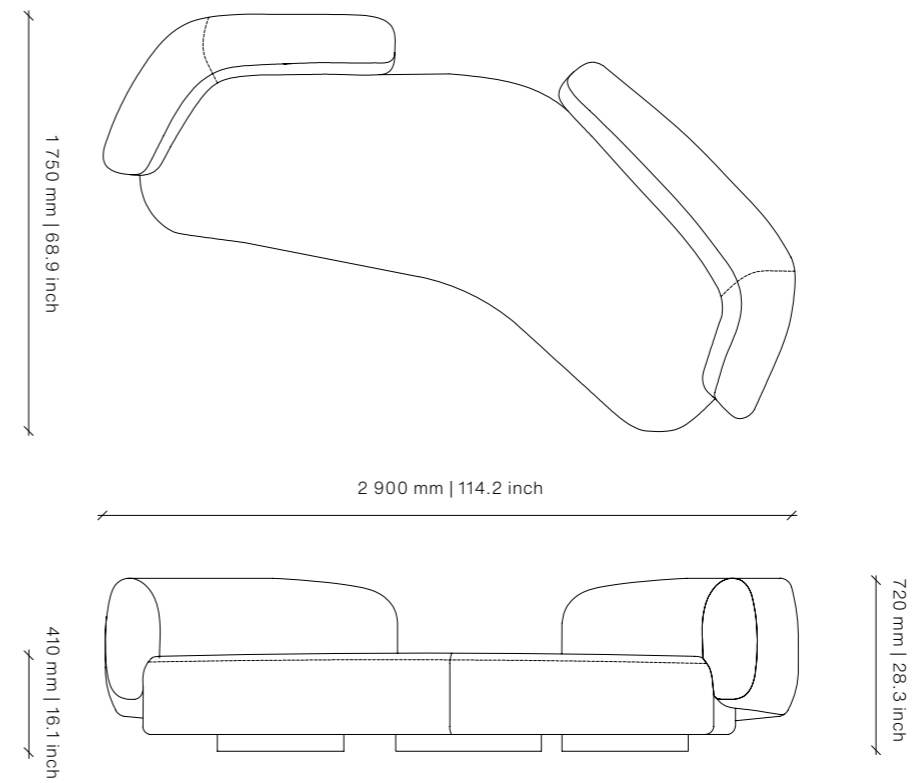
OKHA



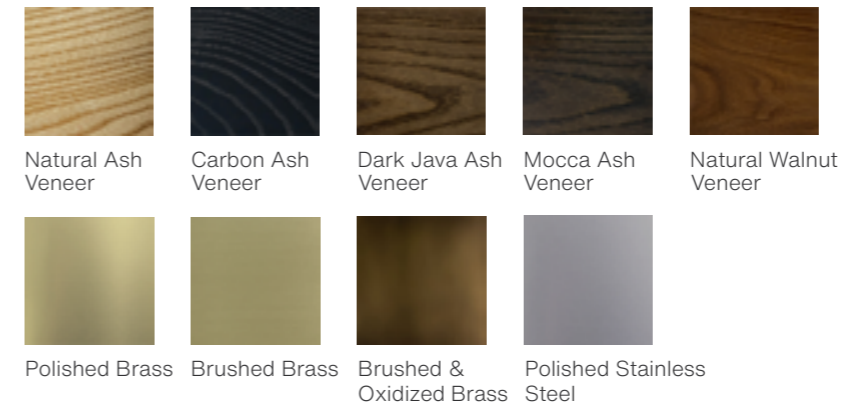


REVERB Sofa

DESIGN BY OKHA



Plinth



Dimensions (mm)

2900W x 1750D x 720H
Seat Height: 410

Dimensions (inches)

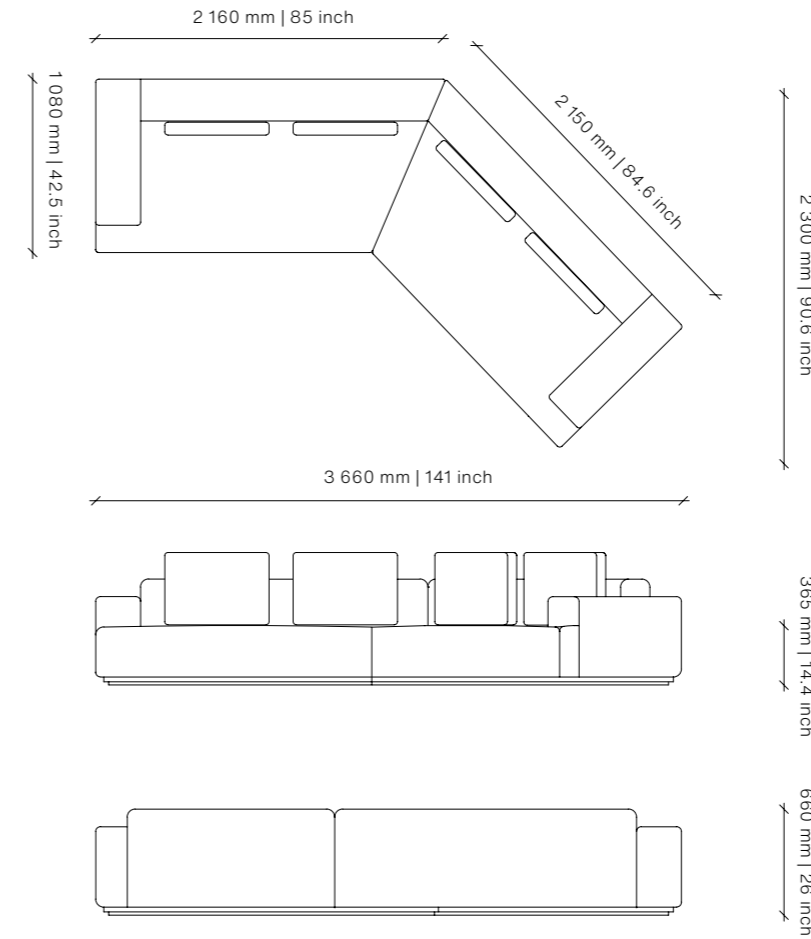
52.3W x 68.9D x 28.3H
Seat Height: 16.1

COM 18 m | 19.7 yd

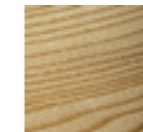


ZEPPELIN ANGLED Sofa

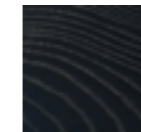
DESIGN BY OKHA



Frame



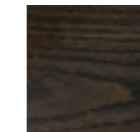
Natural Ash Veneer



Carbon Ash Veneer



Dark Java Ash Veneer



Mocca Ash Veneer

Dimensions (mm)

3660W x 2300D x 660H
Seat Height: 365

Dimensions (inches)

141W x 90.6D x 26H
Seat Height: 14.4

COM 22 m | 24.1 yd
COL 39.6m² | 426.3sq ft

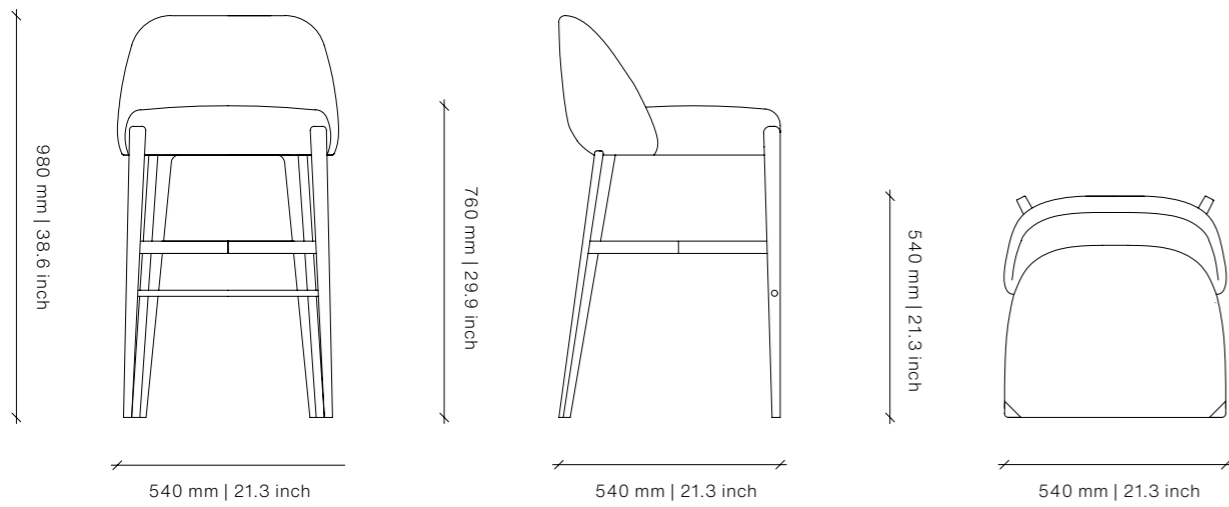
BAR & COUNTER STOOLS

OKHA



BALDUCCI Barstool

DESIGN BY OKHA



Frame



Natural Ash Carbon Ash Dark Java Ash Mocca Ash Natural Walnut

Footrest



Black
Ferrograin

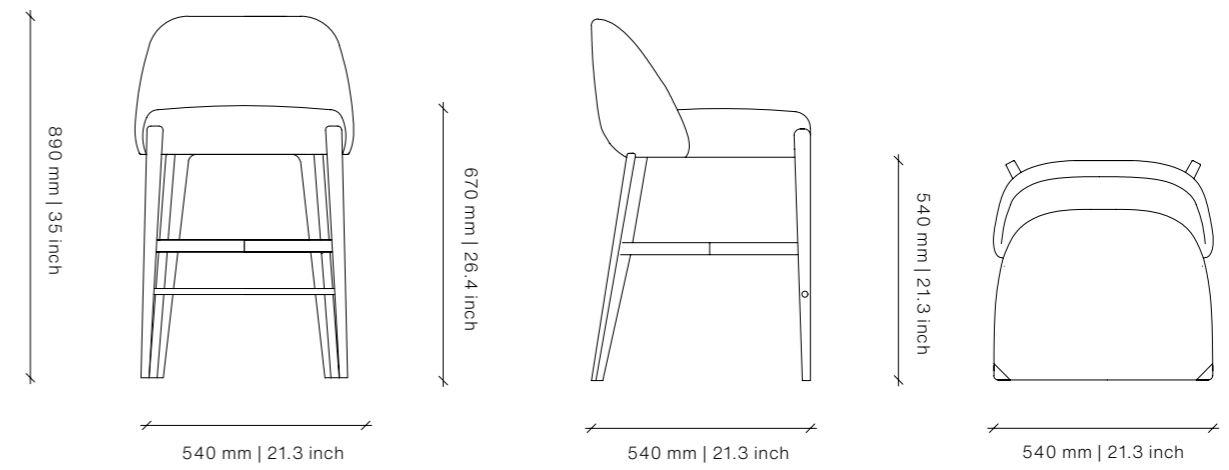
Dimensions (mm)
540W x 540D x 980H
Seat Height: 760

Dimensions (inches)
21.3W x 21.3D x 38.6H
Seat Height: 29.9

COM 1.6 m | 1.8 yd
COL 2.9 m² | 31 sq ft

BALDUCCI Counter Stool

DESIGN BY OKHA



Frame



Natural Ash Carbon Ash Dark Java Ash Mocca Ash Natural Walnut

Footrest



Black
Ferrograin

Dimensions (mm)
540W x 540D x 890H
Seat Height: 670

Dimensions (inches)
21.3W x 21.3D x 35H
Seat Height: 26.4

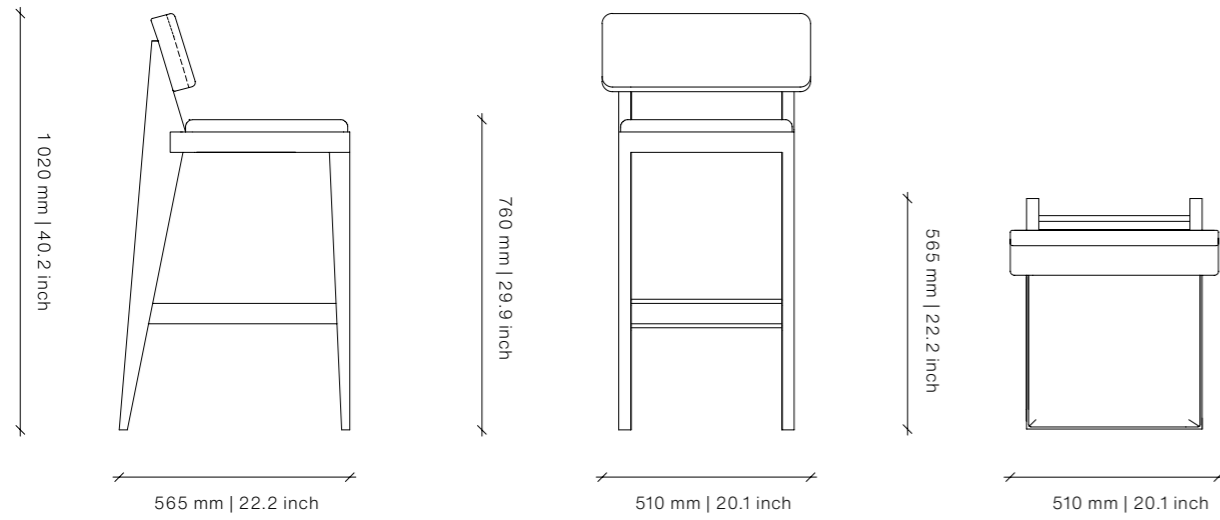
COM 1.6 m | 1.8 yd
COL 2.9 m² | 31 sq ft

OKHA

OKHA

CARLOTTA Barstool

DESIGN BY OKHA



Frame



Natural Ash Carbon Ash Dark Java Ash Mocca Ash Natural Walnut

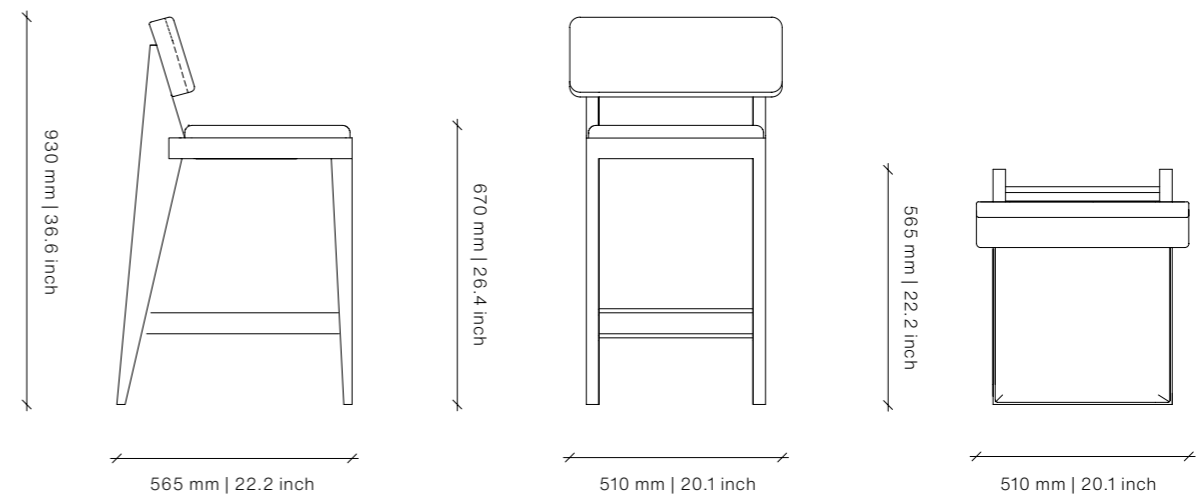
Dimensions (mm)
510W x 565D x 1020H
Seat Height: 760

Dimensions (inches)
20.1W x 22.2D x 40.2H
Seat Height: 29.9

COM 1 m | 1.1 yd
COL 1.8 m² | 19.4 sq ft

CARLOTTA Counterstool

DESIGN BY OKHA



Frame



Natural Ash Carbon Ash Dark Java Ash Mocca Ash Natural Walnut

Dimensions (mm)
510W x 565D x 930H
Seat Height: 670

Dimensions (inches)
20.1W x 22.2D x 36.6H
Seat Height: 26.4

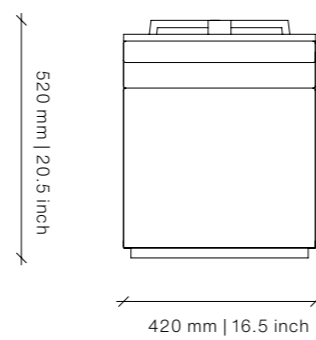
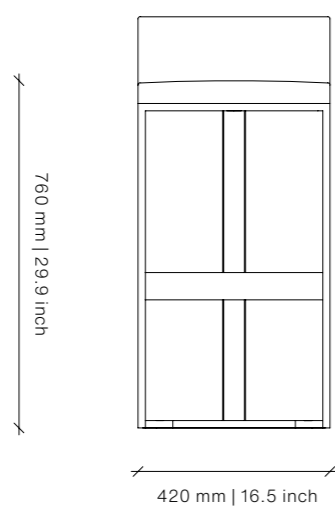
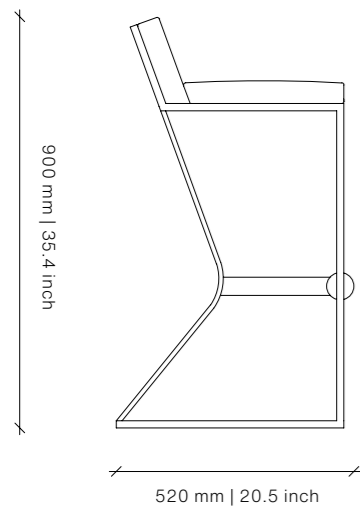
COM 1 m | 1.1 yd
COL 1.8 m² | 19.4 sq ft

OKHA

OKHA

FAYE Barstool

DESIGN BY OKHA



Frame



Black
Ferrograin

Saddlewood
Ferrograin

Light Grey
Ferrograin

White
Ferrograin

Dimensions (mm)
420W x 520D x 900H
Seat Height: 760

Dimensions (inches)
16.5W x 20.5D x 35.4H
Seat Height: 29.9

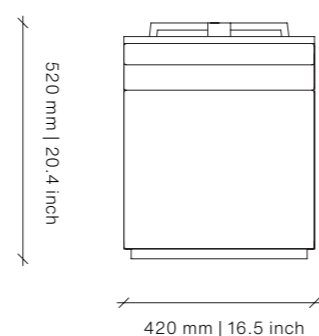
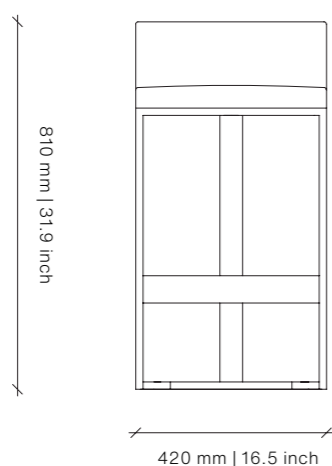
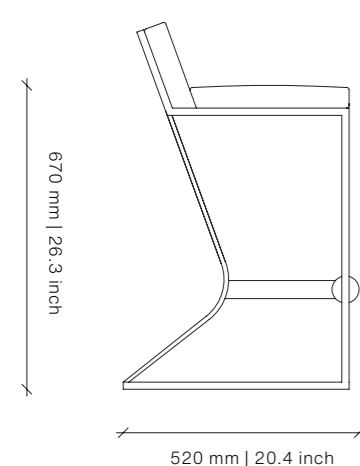
COM 1.2 m | 1.3 yd
COL 2.2 m² | 23.3 sq ft

OKHA



FAYE Counterstool

DESIGN BY OKHA



Frame



Black Ferrogain Saddlewood Ferrogain Light Grey Ferrogain White Ferrogain

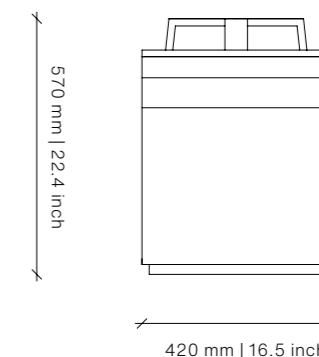
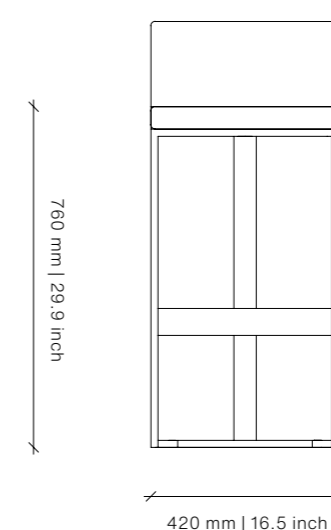
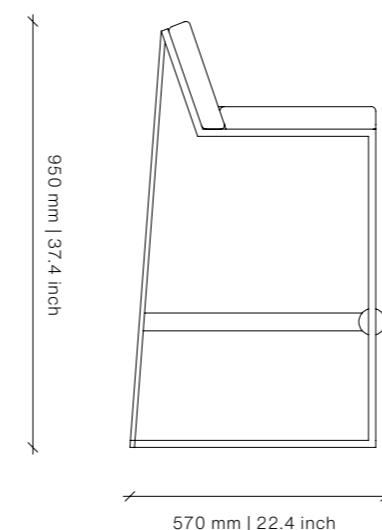
Dimensions (mm)
420W x 520D x 810H
Seat Height: 670

Dimensions (inches)
16.5W x 20.5D x 31.9H
Seat Height: 26.3

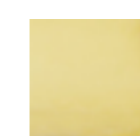
COM 1.2 m | 1.3 yd
COL 2.2 m² | 23.3 sq ft

FRANK GOLD Barstool

DESIGN BY OKHA



Frame



Gold Lacquer

Dimensions (mm)
420W x 570D x 950H
Seat Height: 760

Dimensions (inches)
16.5W x 22.4D x 37.4H
Seat Height: 29.9

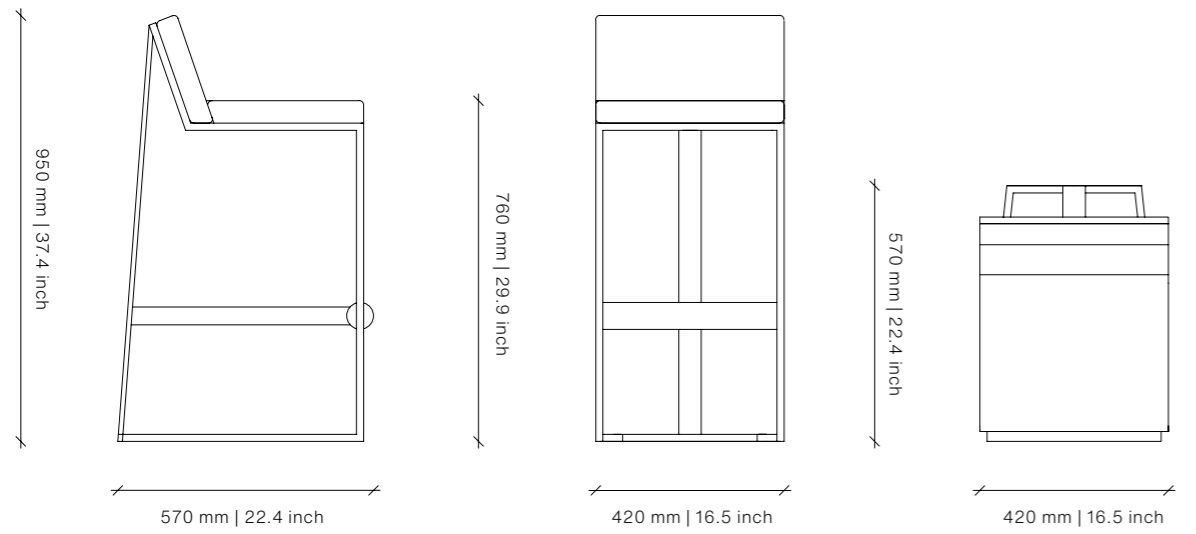
COM 1.2 m | 1.3 yd
COL 2.2 m² | 23.3 sq ft

OKHA

OKHA

FRANK Barstool

DESIGN BY OKHA



Frame



Black
Ferrograin Saddlewood
Ferrograin Light Grey
Ferrograin White
Ferrograin

Dimensions (mm)

420W x 570D x 950H
Seat Height: 760

Dimensions (inches)

16.5W x 22.4D x 37.4H
Seat Height: 29.9

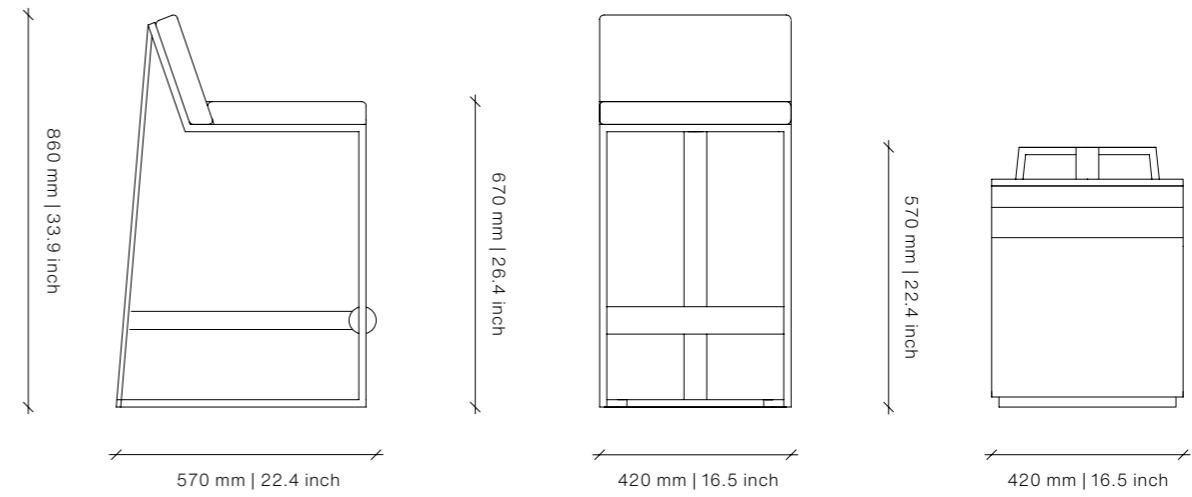
COM 1.2 m | 1.3 yd

COL 2.2 m² | 23.3 sq ft

OKHA

FRANK Counterstool

DESIGN BY OKHA



Frame



Black
Ferrograin Saddlewood
Ferrograin Light Grey
Ferrograin White
Ferrograin

Dimensions (mm)

420W x 570D x 860H
Seat Height: 670

Dimensions (inches)

16.5W x 22.4D x 33.9H
Seat Height: 26.4

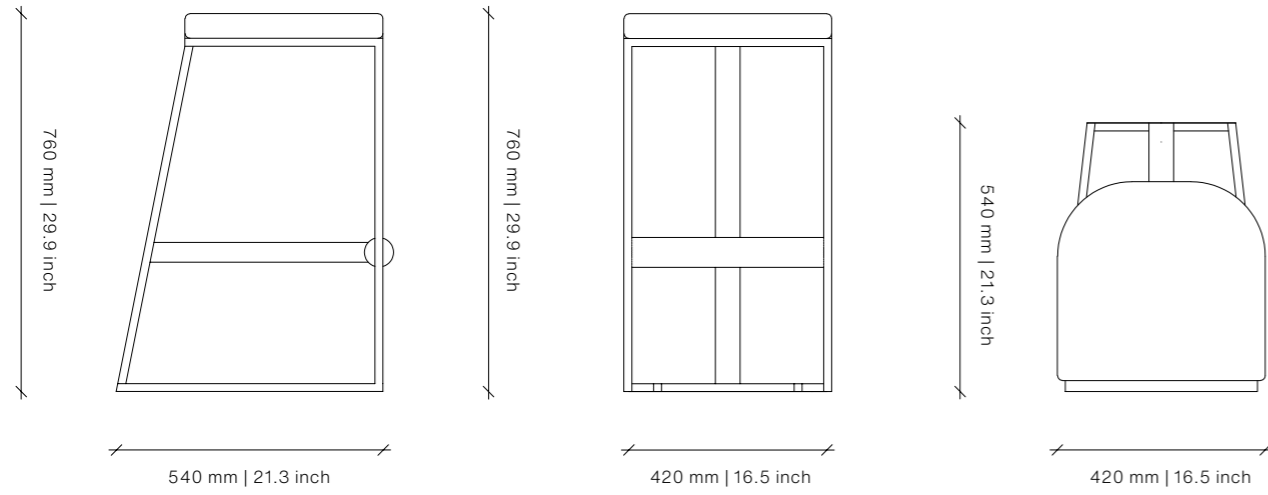
COM 1.2 m | 1.3 yd

COL 2.2 m² | 23.3 sq ft

OKHA

FRANKI Barstool

DESIGN BY OKHA



Frame



Black Ferrograin Saddlewood Ferrograin Light Grey Ferrograin White Ferrograin

Dimensions (mm)
420W x 540D x 760H
Seat Height: 760 mm

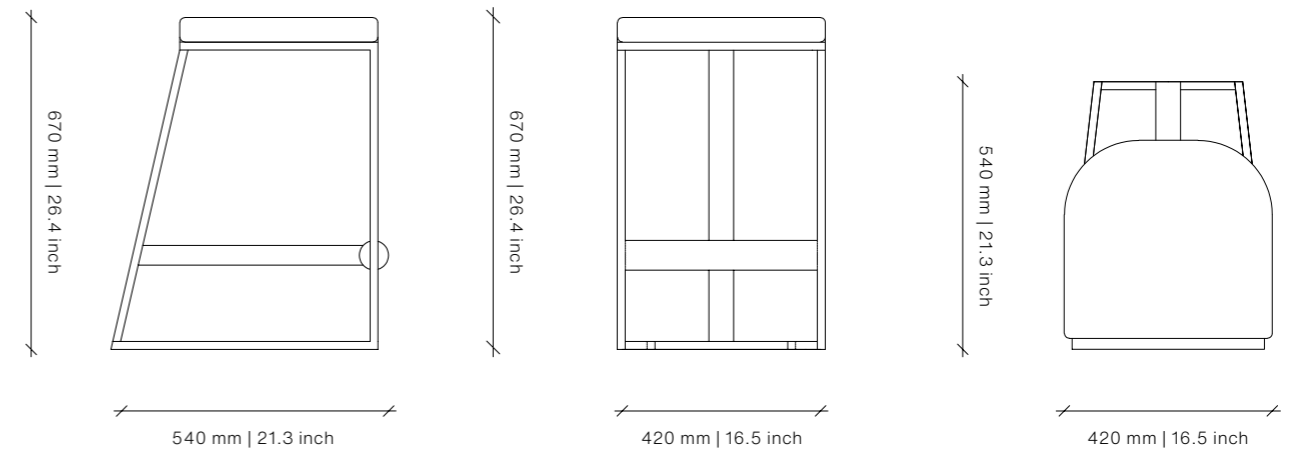
Dimensions (inches)
16.5W x 21.3D x 29.9H
Seat Height: 29.9 in

COM 1 m | 1.1 yd
COL 1.8 m² | 19.4 sq ft

OKHA

FRANKI Counterstool

DESIGN BY OKHA



Frame



Black Ferrograin Saddlewood Ferrograin Light Grey Ferrograin White Ferrograin

Dimensions (mm)
420W x 540D x 670H
Seat Height: 670 mm

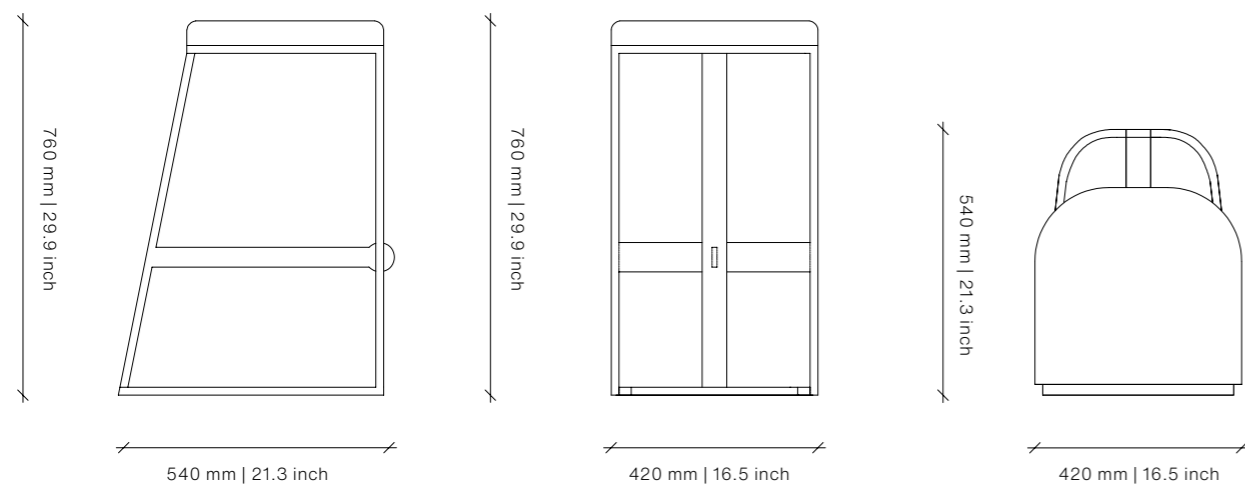
Dimensions (inches)
16.5W x 21.3D x 26.4H
Seat Height: 26.4 in

COM 1 m | 1.1 yd
COL 1.8 m² | 19.4 sq ft

OKHA

FRANKI II Barstool

DESIGN BY OKHA



Frame



Black Ferrograin Saddlewood Ferrograin Light Grey Ferrograin White Ferrograin

Dimensions (mm)
420W x 540D x 760H
Seat Height: 760 mm

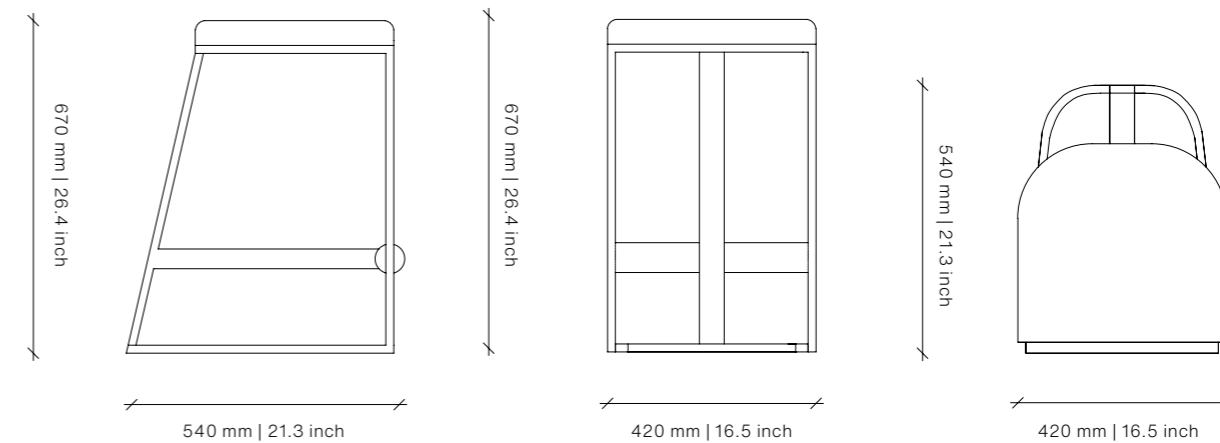
Dimensions (inches)
16.5W x 21.3D x 29.9H
Seat Height: 29.9 in

COM 1 m | 1.1 yd
COL 1.8 m² | 19.4 sq ft

OKHA

FRANKI II Counterstool

DESIGN BY OKHA



Frame



Black Ferrograin Saddlewood Ferrograin Light Grey Ferrograin White Ferrograin

Dimensions (mm)
420W x 540D x 670H
Seat Height: 670 mm

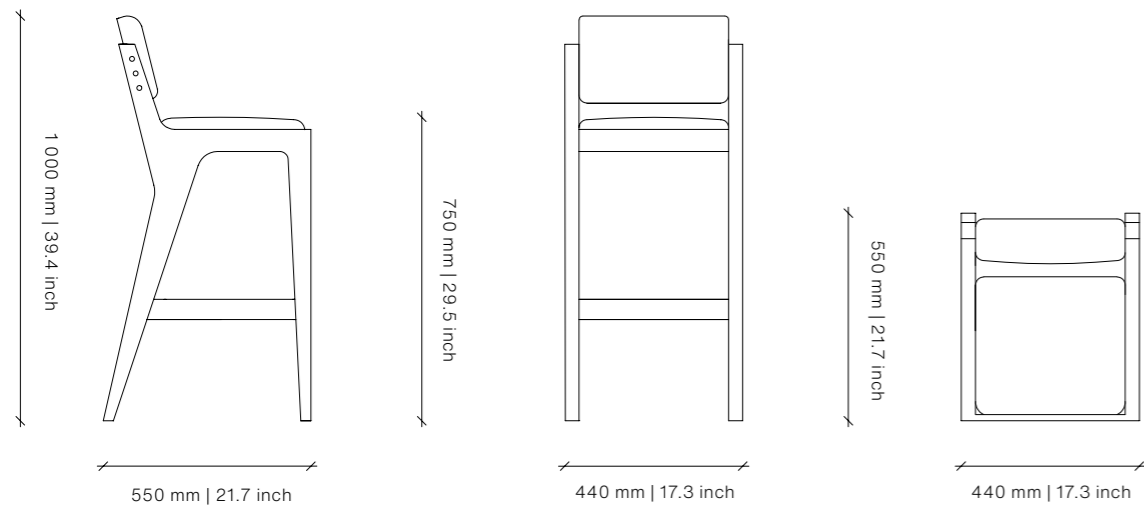
Dimensions (inches)
16.5W x 21.3D x 26.4H
Seat Height: 26.4 in

COM 1 m | 1.1 yd
COL 1.8 m² | 19.4 sq ft

OKHA

HENRY Barstool

DESIGN BY OKHA

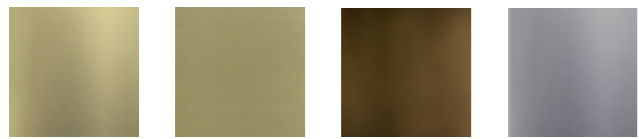


Frame



Natural Ash Carbon Ash Dark Java Ash Mocca Ash Natural Walnut

Brace



Polished Brass Brushed Brass Brushed & Oxidised Brass Polished Stainless Steel

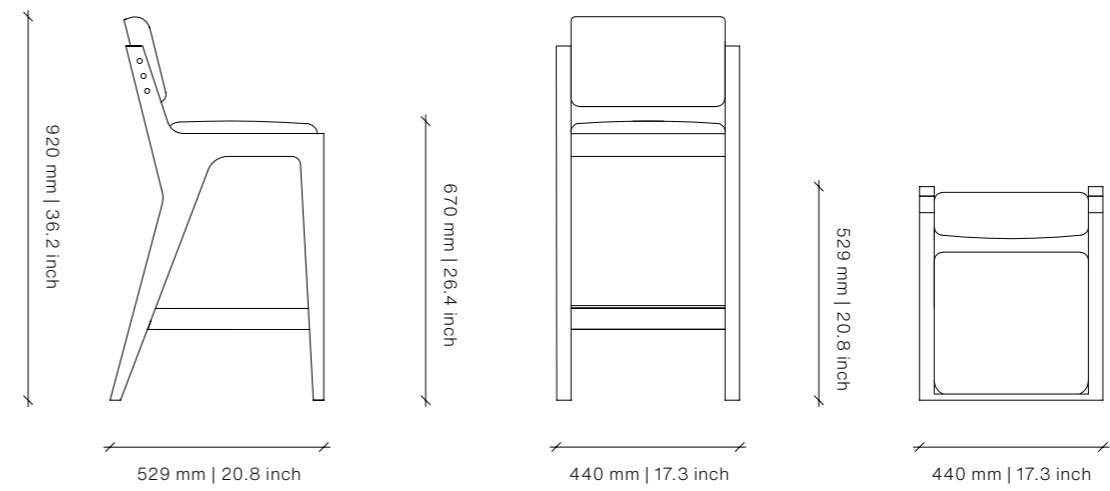
Dimensions (mm)
440W x 550D x 1000H
Seat Height: 750

Dimensions (inches)
17.3W x 21.7D x 39.4H
Seat Height: 29.5

COM 1 m | 1.1 yd
COL 1.8 m² | 19.4 sq ft

HENRY Counterstool

DESIGN BY OKHA

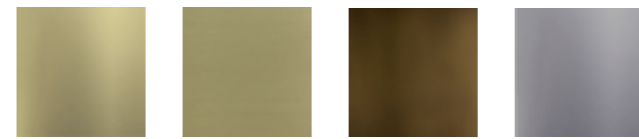


Frame



Natural Ash Carbon Ash Dark Java Ash Mocca Ash Natural Walnut

Brace



Polished Brass Brushed Brass Brushed & Oxidised Brass Polished Stainless Steel

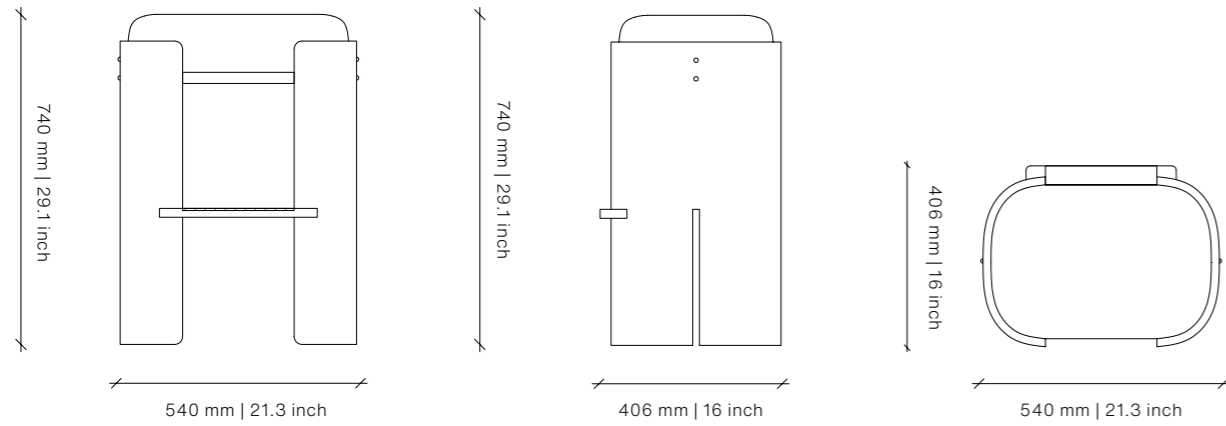
Dimensions (mm)
440W x 529D x 920H
Seat Height: 670

Dimensions (inches)
17.3W x 20.8D x 36.2H
Seat Height: 26.4

COM 1 m | 1.1 yd
COL 1.8 m² | 19.4 sq ft

LOLA Barstool

DESIGN BY OKHA



Inlay & Footrest



Brushed & Oxidised Brass Polished Brass Brushed Brass

Base



Natural Ash Veneer Carbon Ash Veneer Dark Java Ash Veneer Mocca Ash Veneer Natural Walnut Veneer

Dimensions (mm)

540W x 406D x 740H
Seat Height: 740

Dimensions (inches)

21.3W x 16D x 29.1H
Seat Height: 29.1

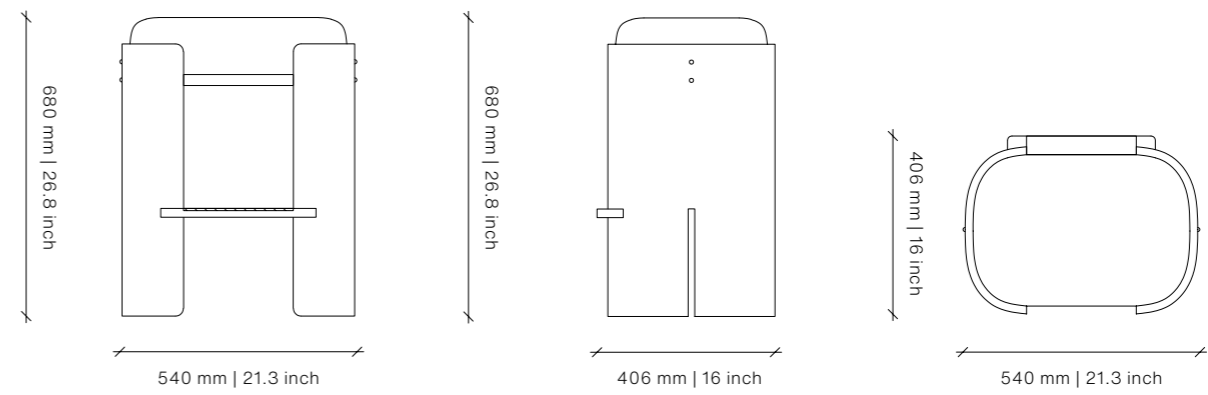
COM 0.8 m | 0.9 yd

COL 1.4 m² | 15.5 sq ft

OKHA

LOLA Counterstool

DESIGN BY OKHA



Inlay & Footrest



Brushed & Oxidised Brass Polished Brass Brushed Brass

Base



Natural Ash Veneer Carbon Ash Veneer Dark Java Ash Veneer Mocca Ash Veneer Natural Walnut Veneer

Dimensions (mm)

540W x 406D x 680H
Seat Height: 680

Dimensions (inches)

21.3W x 16D x 26.8H
Seat Height: 26.8

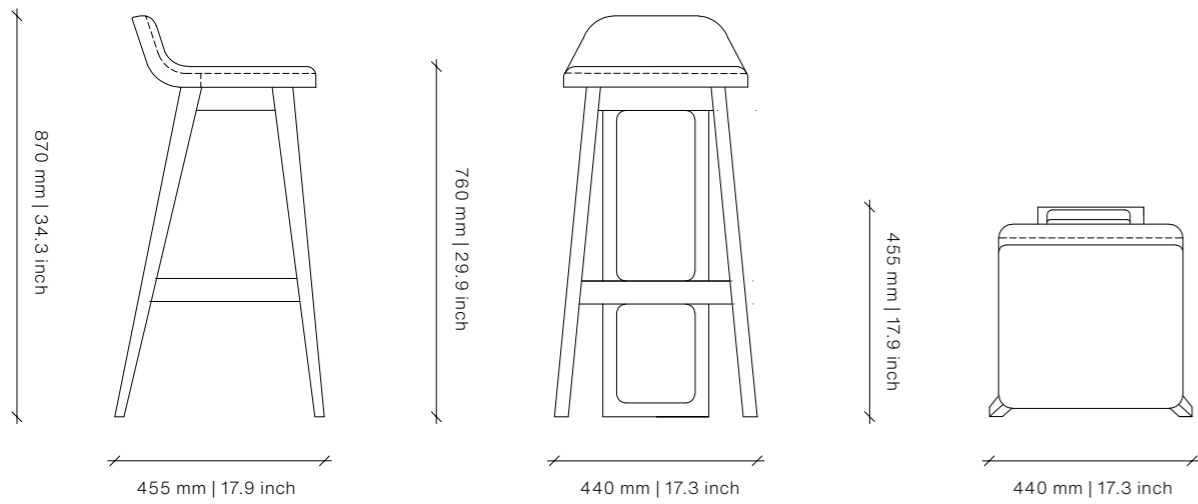
COM 0.8 m | 0.9 yd

COL 1.4 m² | 15.5 sq ft

OKHA

NANCY Barstool

DESIGN BY OKHA



Frame



Natural Ash Carbon Ash Dark Java Ash Mocca Ash Natural Walnut

Dimensions (mm)
440W x 455D x 870H
Seat Height: 760

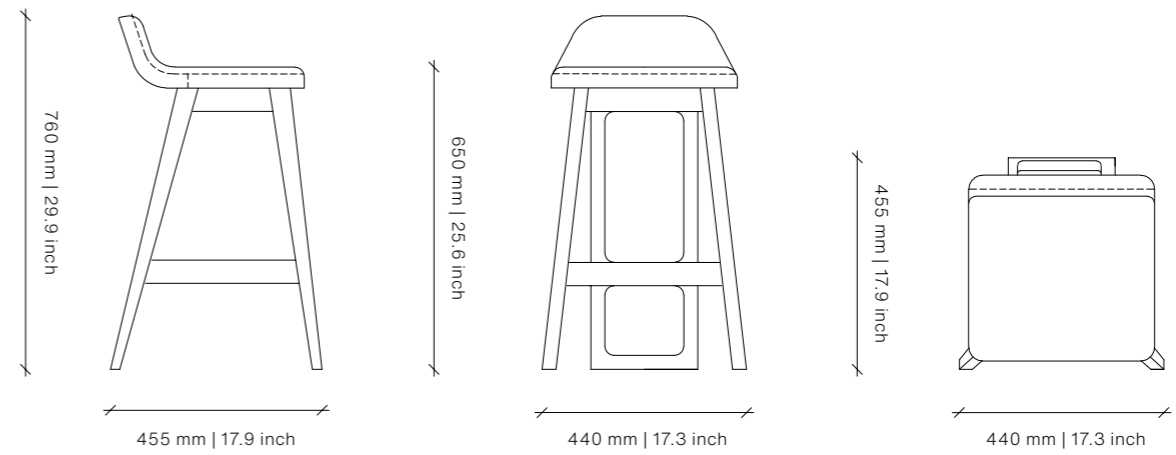
Dimensions (inches)
17.3W x 17.9D x 34.3H
Seat Height: 29.9

COM 0.8 m | 0.9 yd
COL 1.4 m² | 15.5 sq ft

OKHA

NANCY Counterstool

DESIGN BY OKHA



Frame



Natural Ash Carbon Ash Dark Java Ash Mocca Ash Natural Walnut

Dimensions (mm)
440W x 455D x 760H
Seat Height: 650

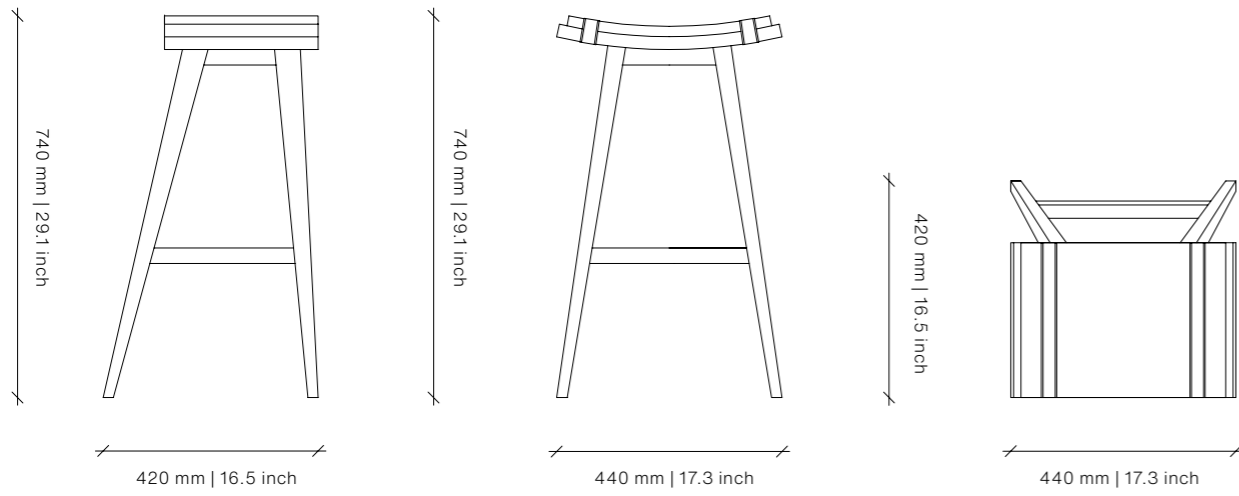
Dimensions (inches)
17.3W x 17.9D x 29.9H
Seat Height: 25.6

COM 0.8 m | 0.9 yd
COL 1.4 m² | 15.5 sq ft

OKHA

NEO Barstool

DESIGN BY OKHA



Frame



Natural Ash Carbon Ash Dark Java Ash Mocca Ash Natural Walnut

Dimensions (mm)

440W x 420D x 740H
Seat Height: 740

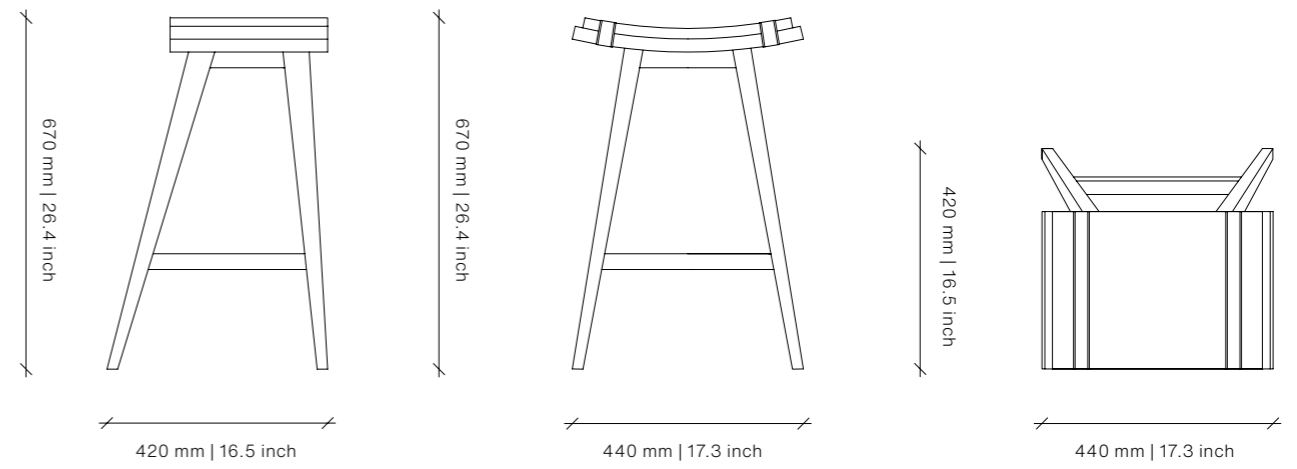
Dimensions (inches)

17.3W x 16.5D x 29.1H
Seat Height: 29.1

COL 2 m² | 21.5 sq ft

NEO Counterstool

DESIGN BY OKHA



Frame



Natural Ash Carbon Ash Dark Java Ash Mocca Ash Natural Walnut

Dimensions (mm)

440W x 420D x 670H
Seat Height: 670

Dimensions (inches)

17.3W x 16.5D x 26.4H
Seat Height: 26.4

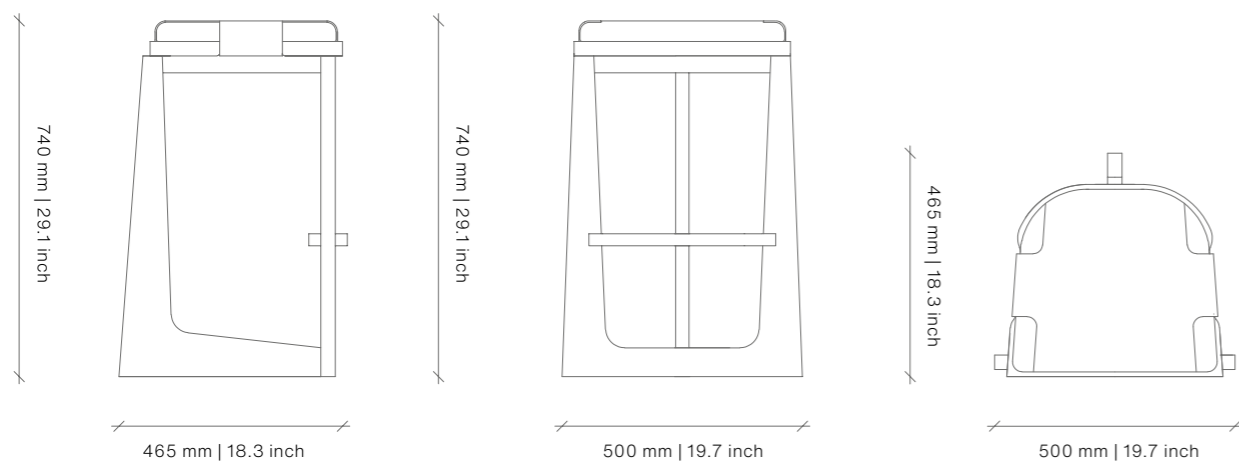
COL 2 m² | 21.5 sq ft

OKHA

OKHA

VOID Barstool

DESIGN BY OKHA



Frame



Natural Ash Carbon Ash Dark Java Ash Mocca Ash Natural Walnut

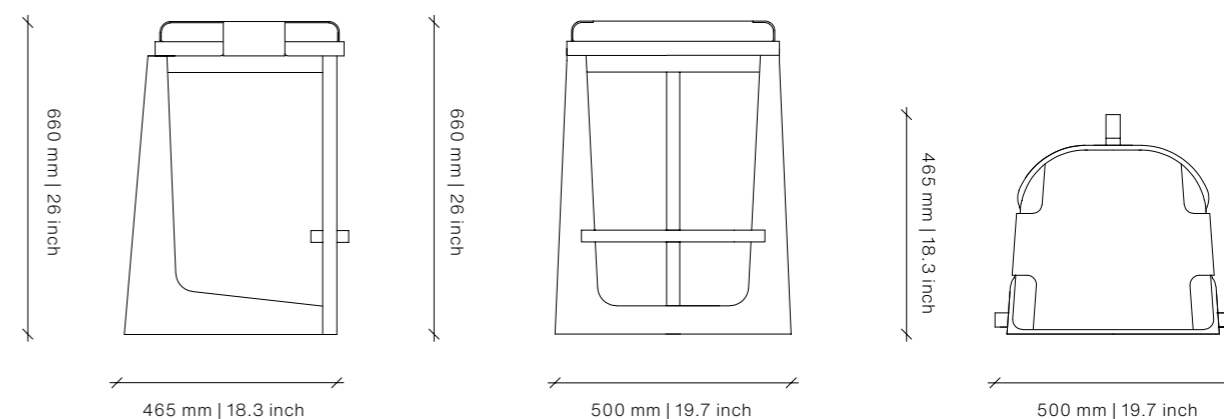
Dimensions (mm)
500W x 465D x 740H
Seat Height: 740

Dimensions (inches)
19.7W x 18.3D x 29.1H
Seat Height: 29.1

COL 1.6 m² | 17.2 sq ft

VOID Counterstool

DESIGN BY OKHA



Frame



Natural Ash Carbon Ash Dark Java Ash Mocca Ash Natural Walnut

Dimensions (mm)
500W x 465D x 660H
Seat Height: 660

Dimensions (inches)
19.7W x 18.3D x 26H
Seat Height: 26

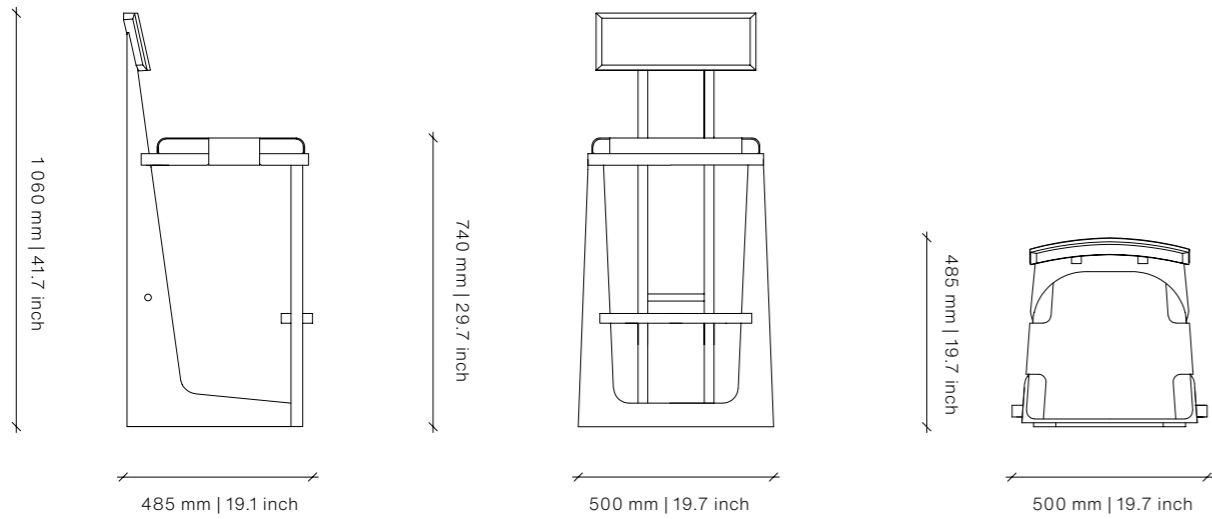
COL 1.6 m² | 17.2 sq ft

OKHA

OKHA

VOID High Barstool

DESIGN BY OKHA

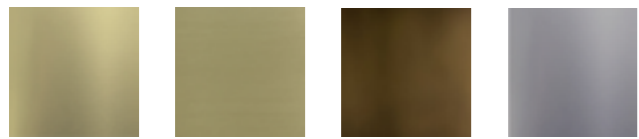


Frame



Natural Ash Carbon Ash Dark Java Ash Mocca Ash Natural Walnut

Footrest & Brace



Polished Brass Brushed Brass Brushed & Oxidised Brass Polished Stainless Steel

Dimensions (mm)

500W x 485D x 1060H
Seat Height: 740 mm

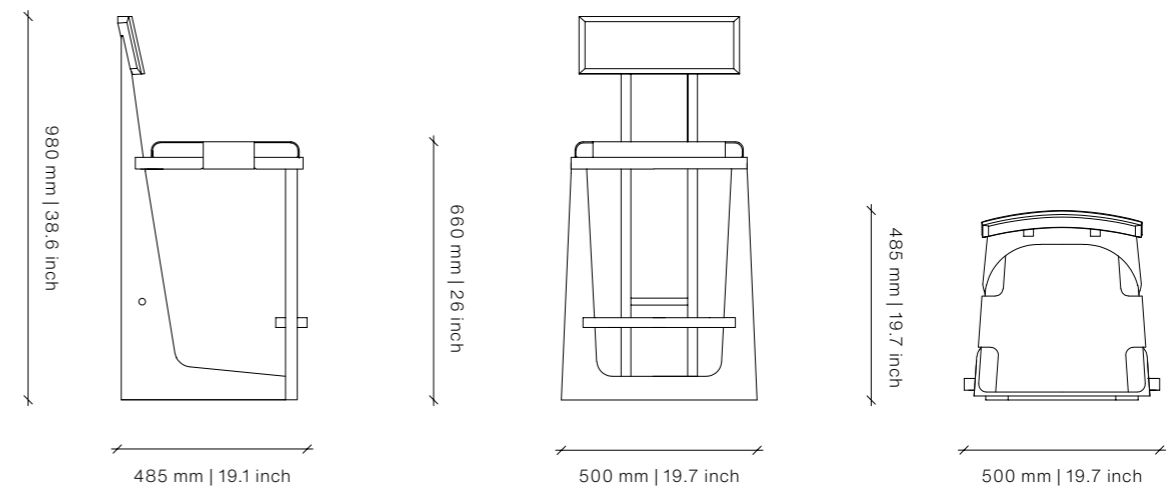
Dimensions (inches)

19.7W x 19.1D x 41.7H
Seat Height: 29.1 in

COL 1.6 m² | 17.2 sq ft

VOID High Counterstool

DESIGN BY OKHA



Frame



Natural Ash Carbon Ash Dark Java Ash Mocca Ash Natural Walnut

Footrest & Brace



Polished Brass Brushed Brass Brushed & Oxidised Brass Polished Stainless Steel

Dimensions (mm)

500W x 485D x 980H
Seat Height: 660 mm

Dimensions (inches)

19.7W x 19.1D x 38.6H
Seat Height: 26 in

COL 1.6 m² | 17.2 sq ft

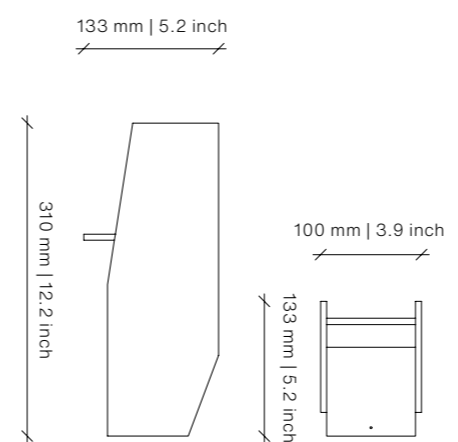
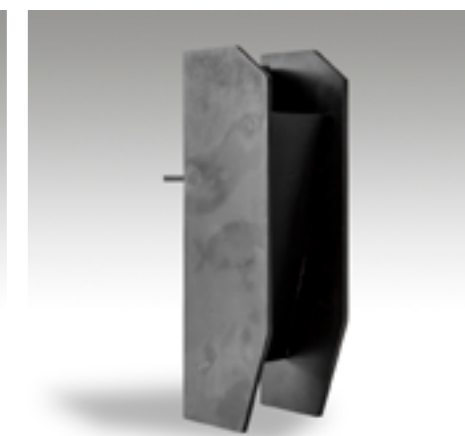
OKHA

OKHA

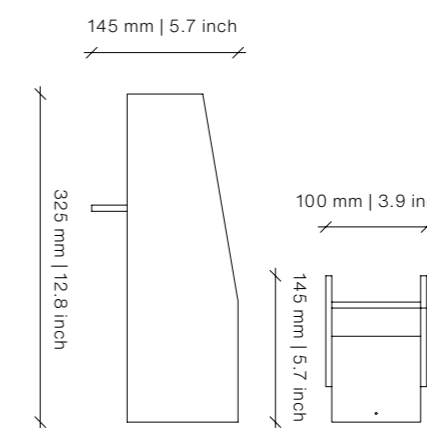
COMPLIMENTS

ALTA Candlestick

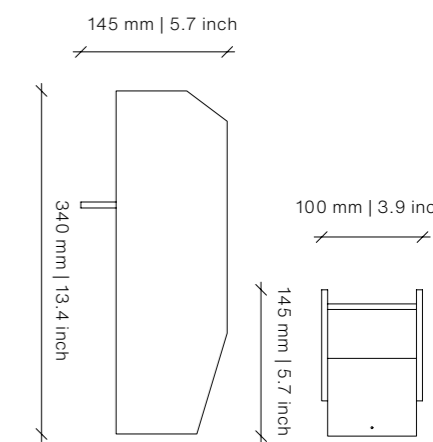
DESIGN BY OKHA



Alta A



Alta B

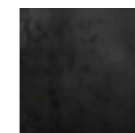


Alta C

Top



Polished Brass



Blackened Mild Steel

Alta A

Dimensions (mm)
100W x 133D x 310H

Dimensions (inches)
3.9W x 5.2D x 12.2H

Alta B

Dimensions (mm)
100W x 145D x 325H

Dimensions (inches)
3.9W x 5.7D x 12.8H

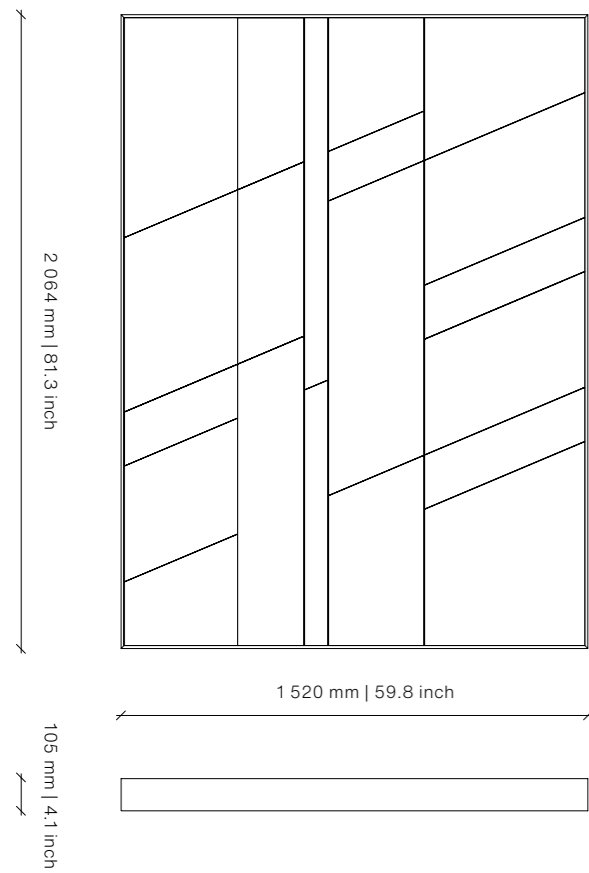
Alta C

Dimensions (mm)
100W x 145D x 340H

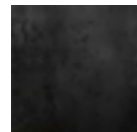
Dimensions (inches)
3.9W x 5.7D x 13.4H

BLACK RAIN Mirror (FABRICATED IN SOUTH AFRICA)

DESIGN BY OKHA



Frame



Blackened Mild Steel

Mirror



Bronze Tint Mirror



Grey Tint Mirror



Clear Mirror

Dimensions (mm)
1520W x 105D x 2064H

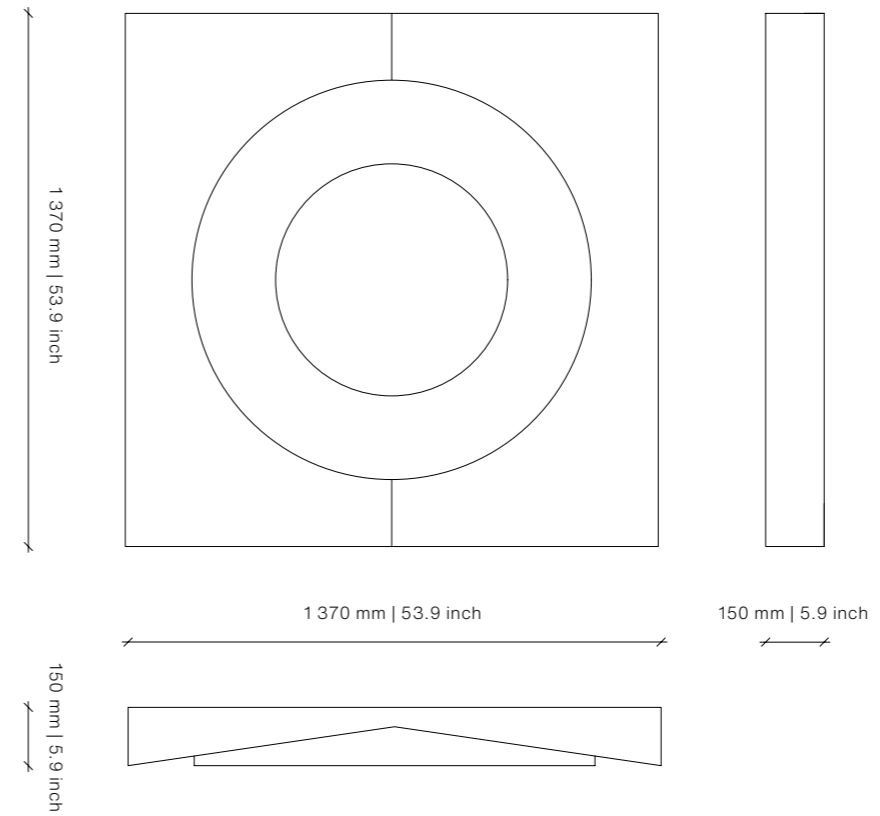
Dimensions (inches)
59.8W x 4.1D x 81.3H



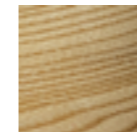
OKHA

PORT Mirror (FABRICATED IN SOUTH AFRICA)

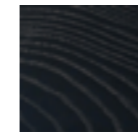
DESIGN BY OKHA



Frame



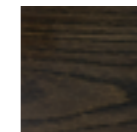
Natural Ash



Carbon Ash



Dark Java Ash



Mocca Ash

Surround



Polished Copper

Mirror



Bronze Tint Mirror



Grey Tint Mirror



Clear Mirror

Dimensions (mm)
1370W x 150D x 1370H

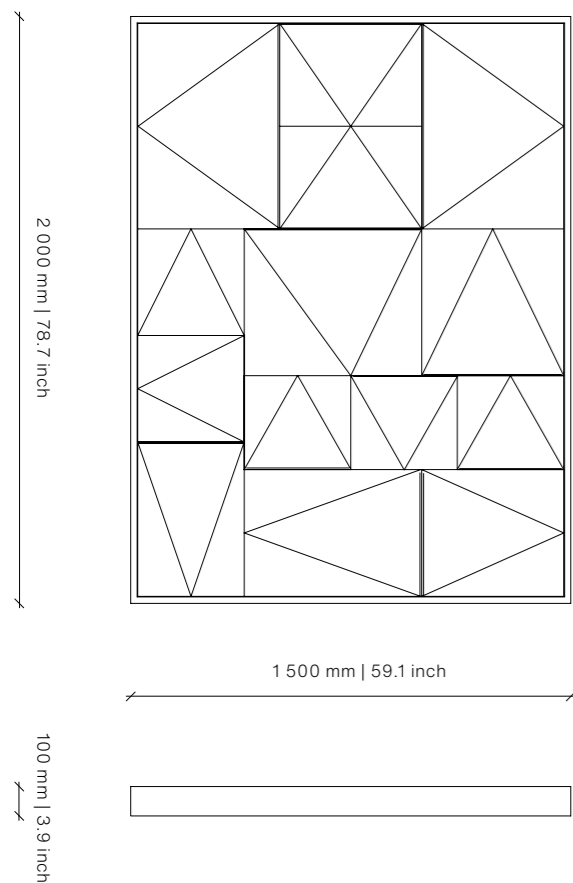
Dimensions (inches)
53.9W x 5.9D x 53.9H



OKHA

REFLECT Mirror (FABRICATED IN SOUTH AFRICA)

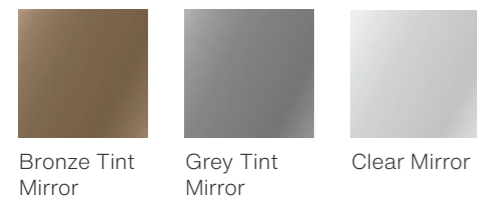
DESIGN BY OKHA



Frame



Mirror



Dimensions (mm)
1500W x 100D x 2000H

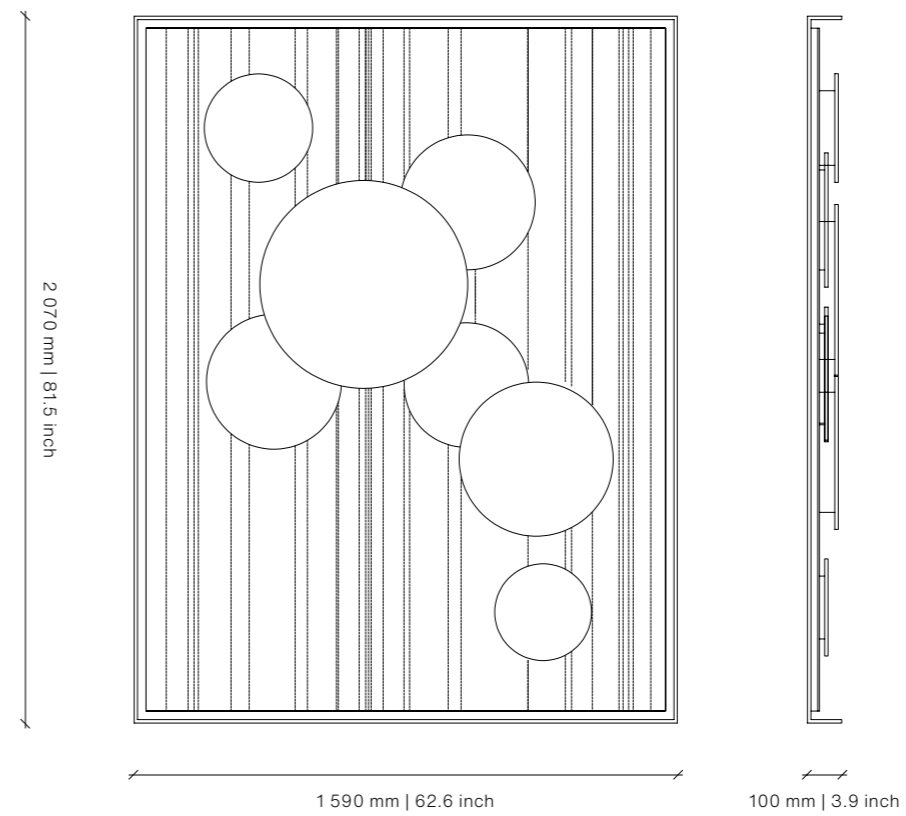
Dimensions (inches)
59.1W x 3.9D x 78.7H



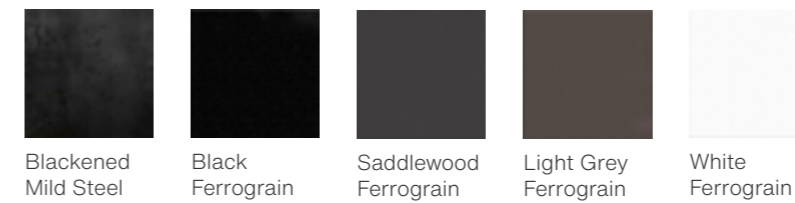
OKHA

SOLAR Mirror (FABRICATED IN SOUTH AFRICA)

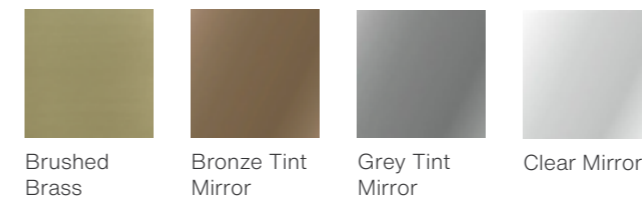
DESIGN BY OKHA



Frame



Backing



Dimensions (mm)
1590W x 100D x 2070H

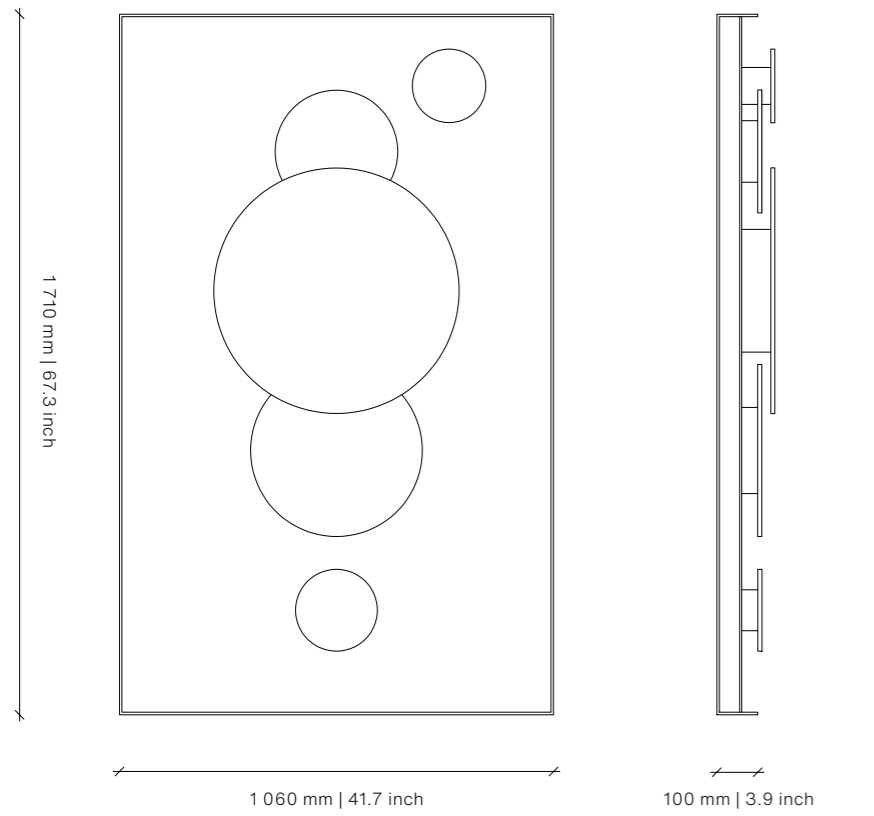
Dimensions (inches)
62.6W x 3.9D x 81.5H



OKHA

SOLAR II Mirror

DESIGN BY OKHA



Frame



Brushed & Patinated
Gradient Aluminium

Mirror



Bronze Tint
Mirror



Grey Tint
Mirror



Clear Mirror

Dimensions (mm)
1060W x 100D x 1710H

Dimensions (inches)
41.7W x 3.9D x 67.3H

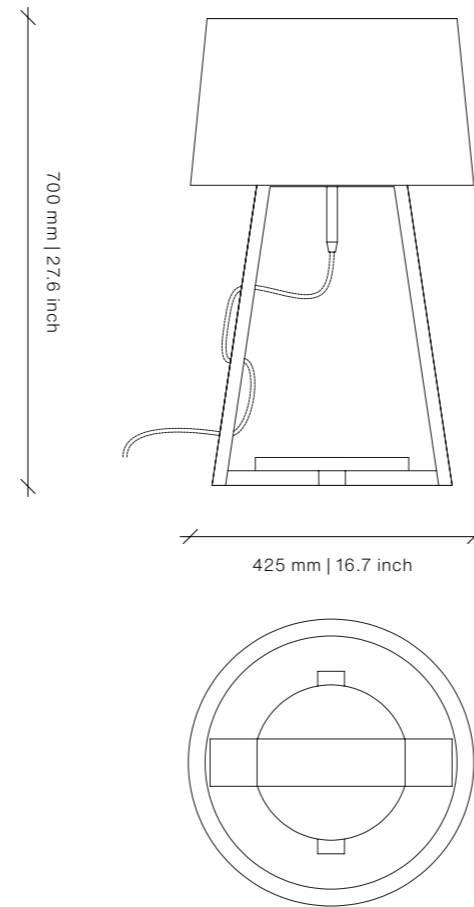


OKHA

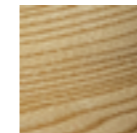
HEAVY WEIGHT Table Lamp (FABRICATED IN SOUTH AFRICA)

DESIGN BY OKHA

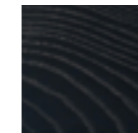
TABLE LAMPS



Frame



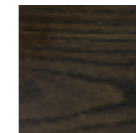
Natural Ash



Carbon Ash

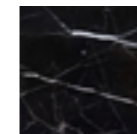


Dark Java Ash

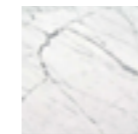


Mocca Ash

Insert



Nero Marquina



Carrara



Calacatta Venato

Custom marble available upon request

Dimensions (mm)

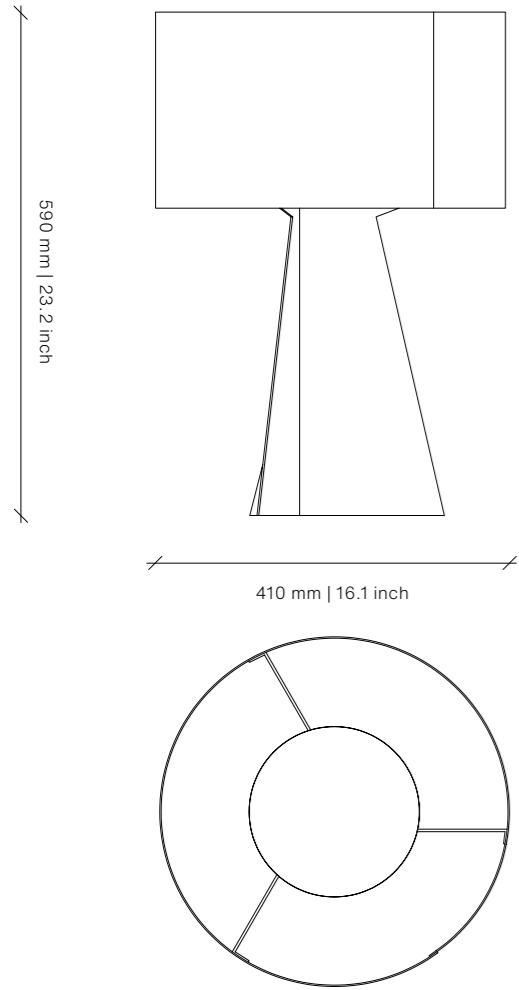
425 DIA x 700H

Dimensions (inches)

16.7 DIA x 27.6H

LAW & DISORDER Table Lamp

DESIGN BY OKHA



Frame



Polished Brass

Polished Copper

Polished Stainless Steel

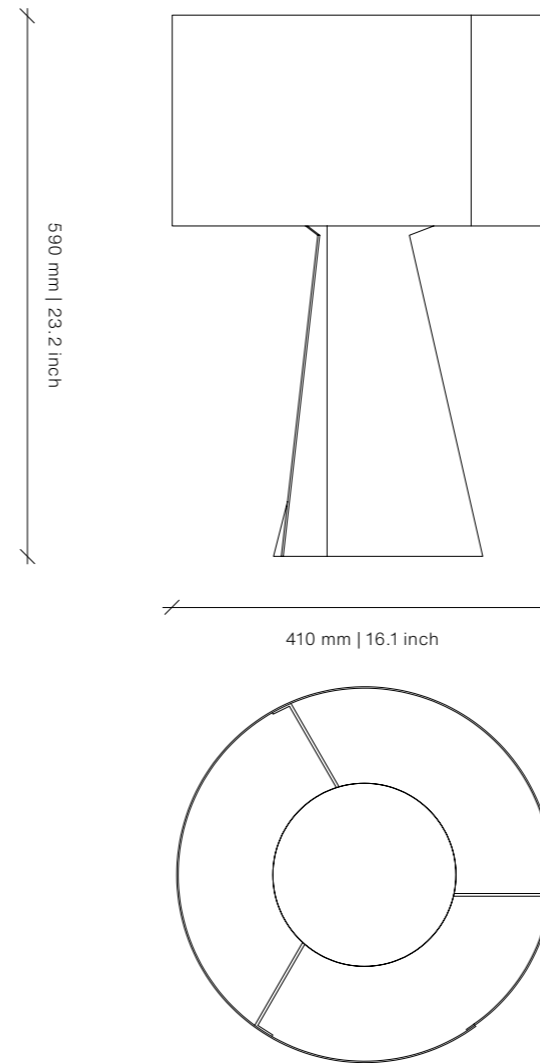
Dimensions (mm)
410 DIA x 590H

Dimensions (inches)
16.1 DIA x 23.2H

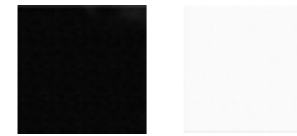
OKHA

LAW & DISORDER Table Lamp

DESIGN BY OKHA



Frame



Black Ferrograin

White Ferrograin

Dimensions (mm)
410 DIA x 590H

Dimensions (inches)
16.1 DIA x 23.2H

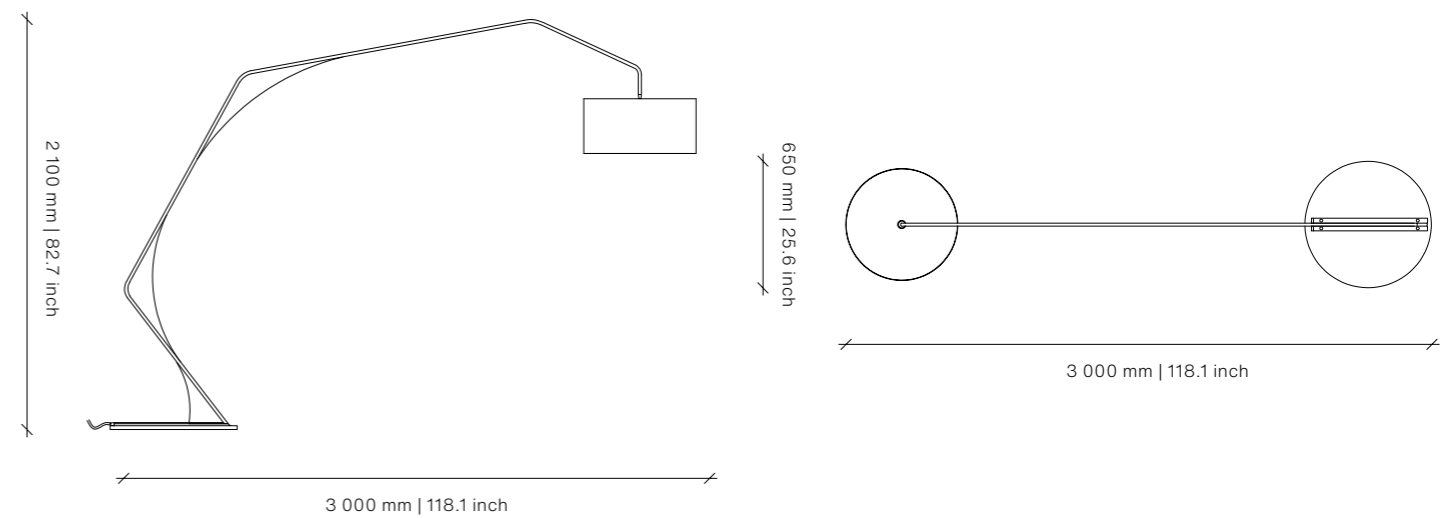
OKHA



DE RIGUOUR Standing Lamp (FABRICATED IN SOUTH AFRICA)

DESIGN BY OKHA

STANDING LAMPS



Frame



Black
Ferrograin Saddlewood
Ferrograin Light Grey
Ferrograin White
Ferrograin

Lamp Shade



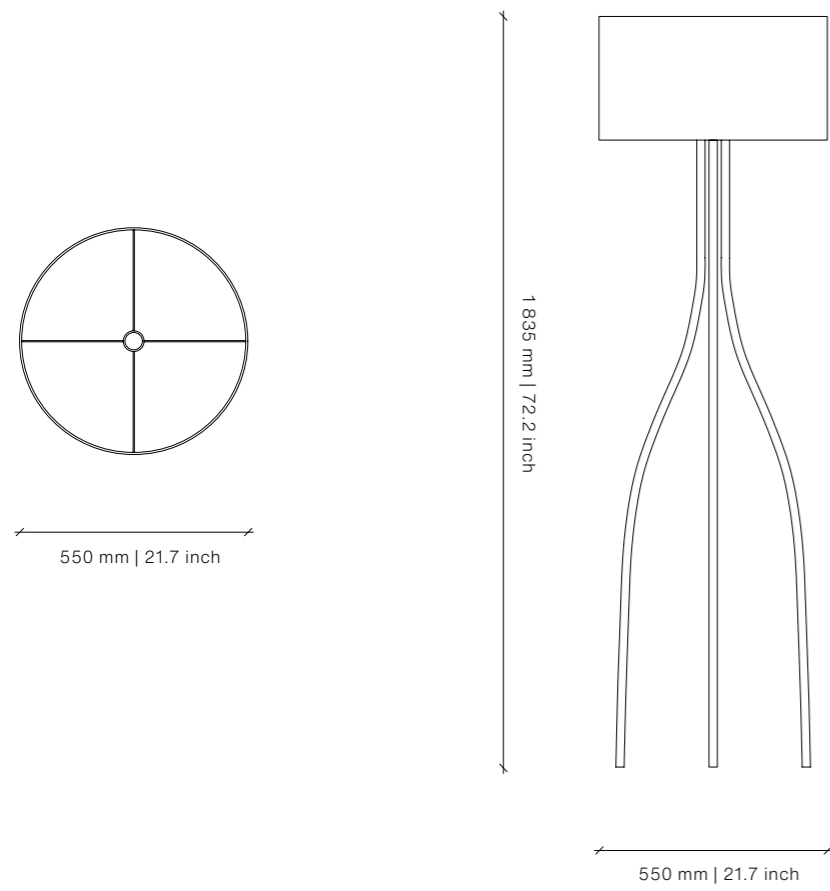
Black Grey White Natural

Dimensions (mm)
3000W x 650D x 2100H

Dimensions (inches)
118.1W x 25.6D x 82.7H

SHE Standing Lamp (FABRICATED IN SOUTH AFRICA)

DESIGN BY OKHA



Frame



Black
Ferrograin

Saddlewood
Ferrograin

Light Grey
Ferrograin

White
Ferrograin

Lamp Shade



Black

Grey

White

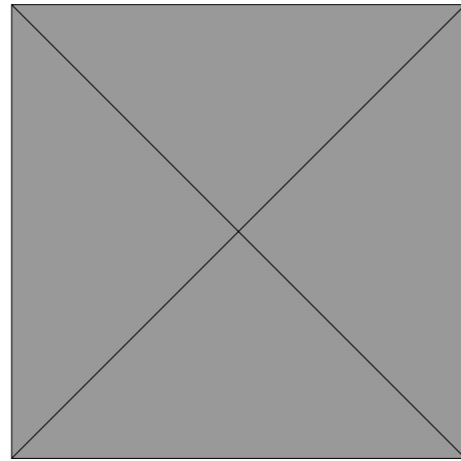
Natural

Dimensions (mm)

550 DIA x 1835H

Dimensions (inches)

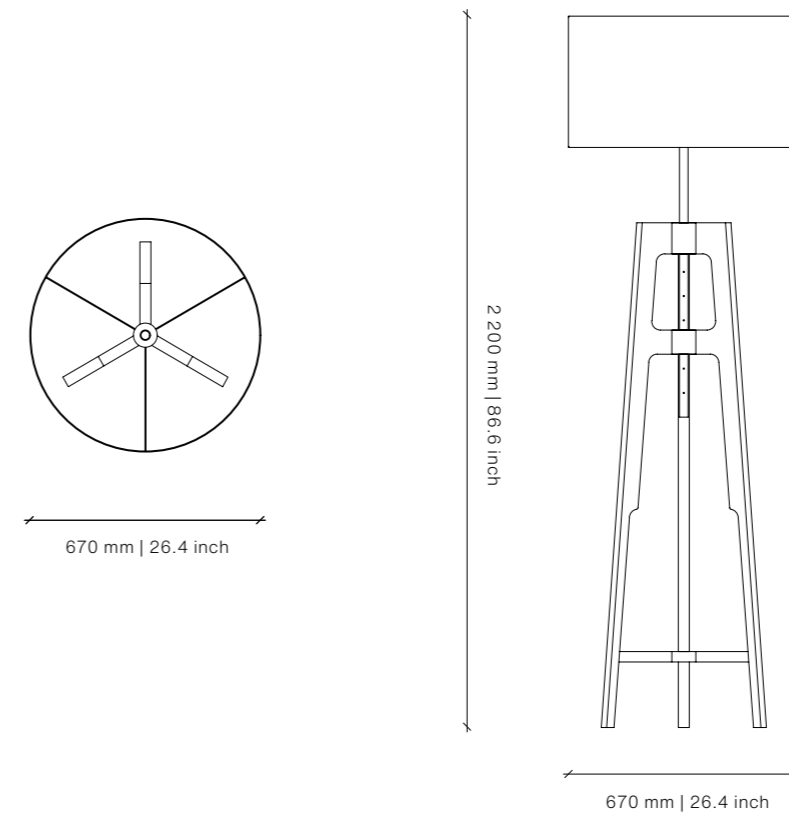
21.7 DIA x 72.2H



OKHA

STUDIO Standing Lamp (FABRICATED IN SOUTH AFRICA)

DESIGN BY OKHA



Frame



Natural Ash

Carbon Ash

Dark Java Ash

Mocca Ash

Natural Walnut

Stem



Polished Brass

Brushed Brass

Brushed & Oxidised Brass

Polished Stainless Steel

Lamp Shade



Black

Grey

White

Natural

Dimensions (mm)

670 DIA x 2200H

Dimensions (inches)

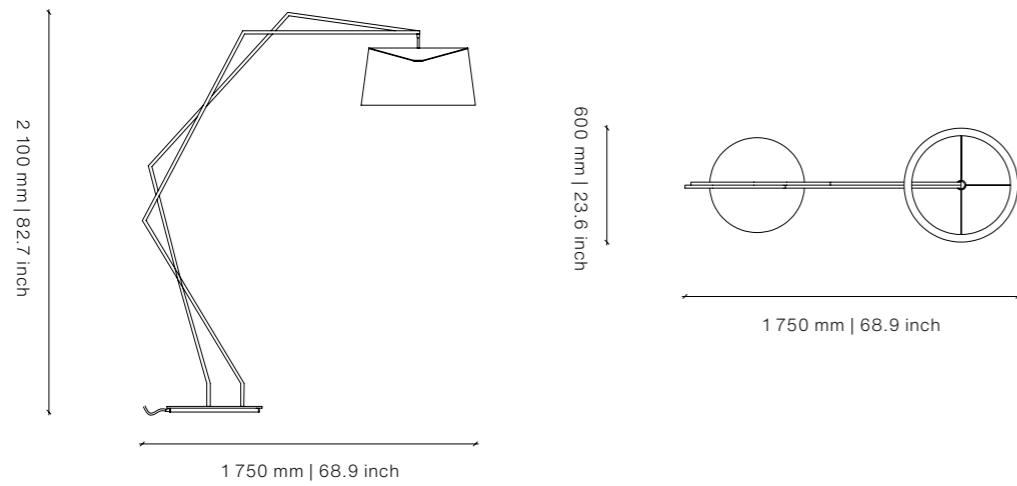
26.4 DIA x 86.6H



OKHA

TO BE ONE Standing Lamp (FABRICATED IN SOUTH AFRICA)

DESIGN BY OKHA



Frame



Black
Ferrograin Saddlewood
Ferrograin Light Grey
Ferrograin White
Ferrograin

Lamp Shade



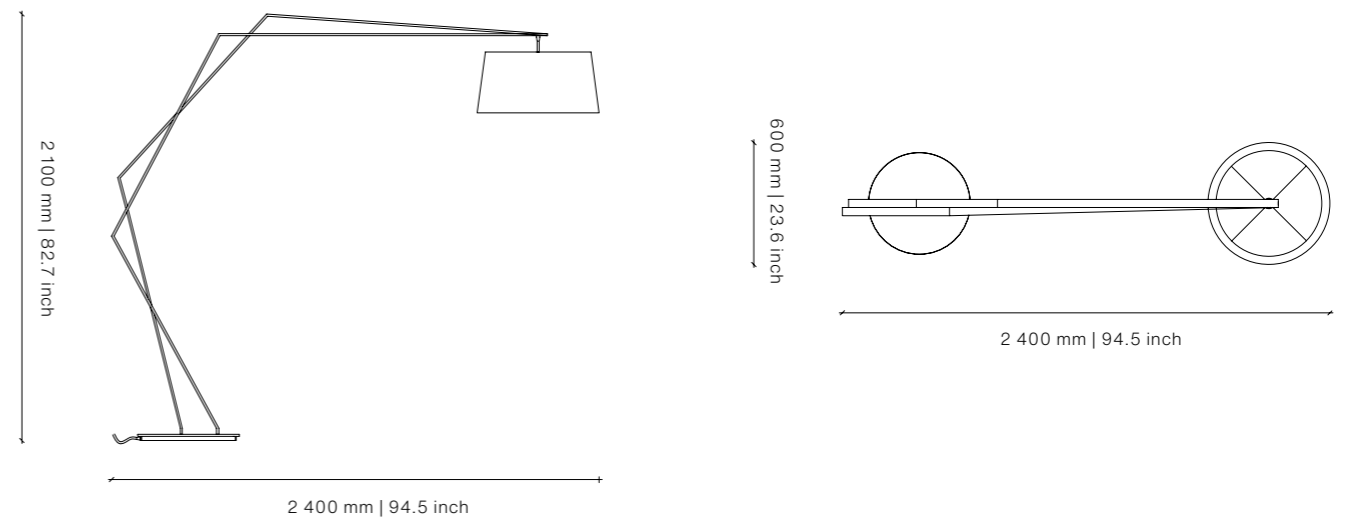
Black Grey White Natural

Dimensions (mm)
1750W x 600D x 2100H

Dimensions (inches)
68.9W x 23.6D x 82.7H

TWO BE TWO Standing Lamp (FABRICATED IN SOUTH AFRICA)

DESIGN BY OKHA



Frame



Black
Ferrograin Saddlewood
Ferrograin Light Grey
Ferrograin White
Ferrograin

Lamp Shade



Black Grey White Natural

Dimensions (mm)
2400W x 600D x 2100H

Dimensions (inches)
94.5W x 23.6D x 82.7H

OKHA

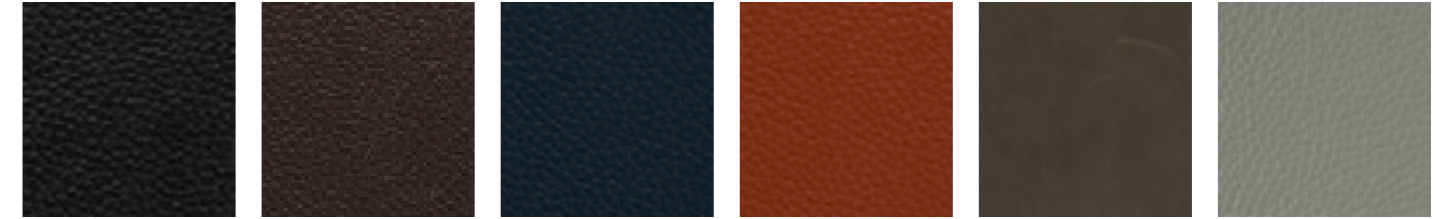
OKHA

FABRIC & LEATHER

DESIGN BY OKHA

FABRIC & LEATHER OPTIONS

GAZELLE



Black

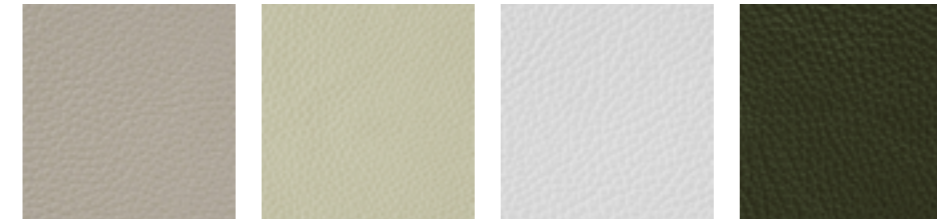
Mocca

Navy

Straw

Anthracite

Elephant



Oyster

Latte

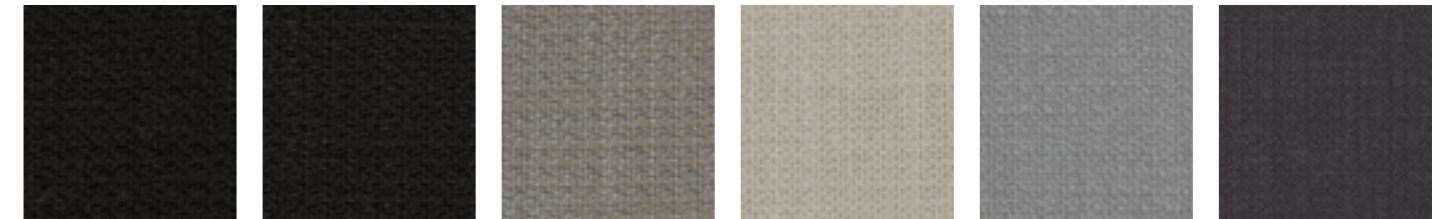
White

Moss

FABRIC

LOOP

[Click on fabric to view fabric webpage](#)



Carbon Grey
K5042/01

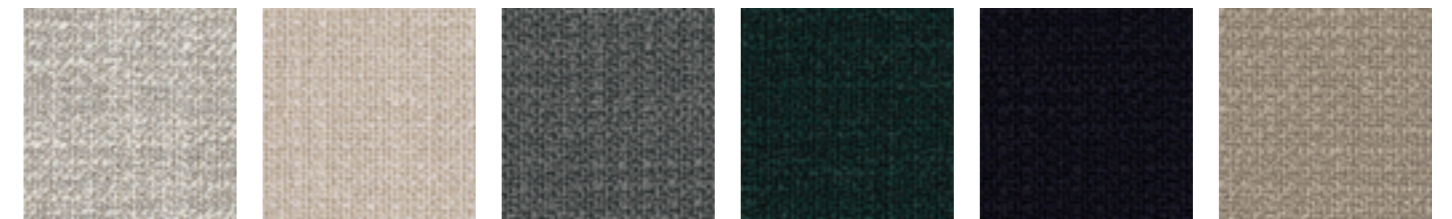
Graphite
K5042/02

Stone
K5042/08

vv
K5042/09

Dove
K5042/18

Gris
K5042/19



Liquorice
K5042/31

Cream
K5042/33

Seal
K5042/35

Evergreen
K5042/38

Marine
K5042/40

Linen
K5042/43



Petal
K5042/45

FABRIC & LEATHER

DESIGN BY OKHA

FORENZA

Click on fabric to view fabric webpage



Liquorice 7558/03 Espresso 7558/08 Carbon 7558/34 Sapphire 7558/47 Naval Blue 7558/48 Thunder 7558/56



Chutney 7558/59 Granite 7558/66 Andesite 7558/68 Osprey 7558/69 Briosca 7558/70 Agave 7558/74



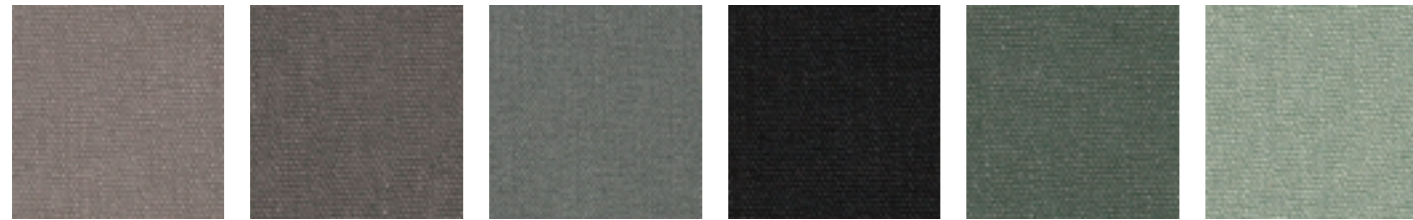
Hunter 7558/75 Maple 7558/77

SOHO

Click on fabric to view fabric webpage



Porcelain K5222/01 Chalk K5222/02 Parchment K5222/04 Flax K5222/06 Linen K5222/08 Fossil K5222/09

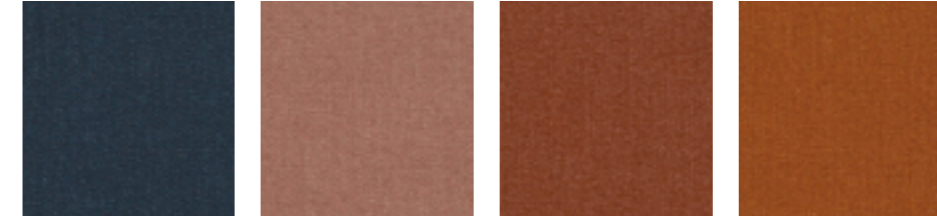


Pumice K5222/10 Espresso K5222/11 Gris K5222/17 Raven K5222/21 Eucalyptus K5222/23 Sage K5222/27

FABRIC & LEATHER

DESIGN BY OKHA

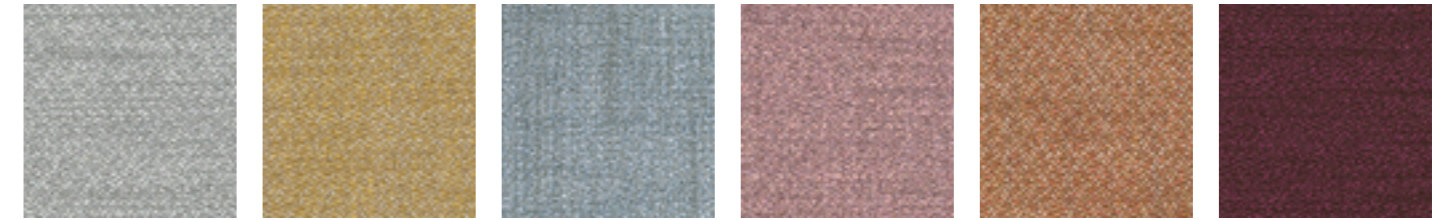
SOHO



Denim K5222/30 Vintage Rose K5222/40 Serendite K5222/41 Terracotta K5222/46

SAND

Click on fabric to view fabric webpage



Silver Grey K5247/01 Peridot K5247/02 Smoke Blue K5247/03 Grape K5247/04 Terracotta K5247/05 Plum K5247/06



Petrol K5247/07 Flax K5247/08 Porcelain K5247/09 Pumice K5247/10 Charcoal K5247/11

HEPWORTH

Click on fabric to view fabric webpage



Blizzard Z502/01 Moonbeam Z502/02 Silver Grey Z502/03 Buff Z502/05 Driftwood Z502/07

FABRIC & LEATHER

DESIGN BY OKHA

TEDDY

Click on fabric to view fabric webpage



Cream
K5296/01

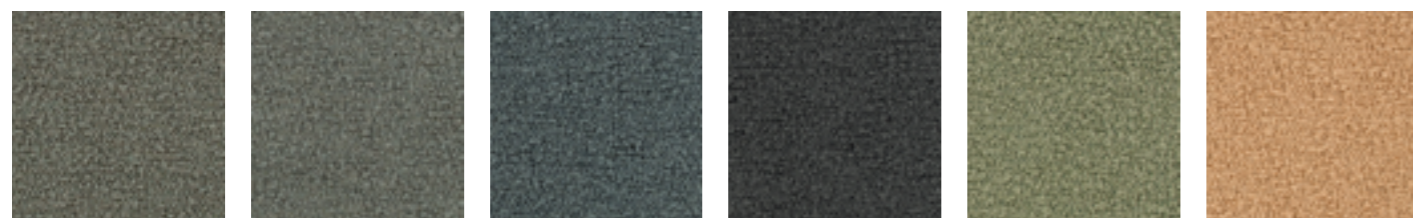
Parchment
K5296/12

Buff
K5296/13

Nude
K5296/10

Flax
K5296/11

Rhino
K5296/14



Combat
K5296/29

Gris
K5296/33

Whale
K5296/32

Carbon
K5296/16

Sage
K5296/27

Chai
K5296/22



Amber
K5296/21

Rosewater
K5296/04

Cedar
K5296/18

Terracotta
K5296/20

Fig
K5296/23

TRES BOUCLES



Ambriosa Parchment
Z706/01
R 6 000.00

Bouvier Cloud
Z697/01
R 5 300.00

Lucien Bone
Z704/01
R 6 000.00

Sloan Vellum
Z698/01
R 4 150.00

TERMS & CONDITIONS

General

1. Definitions and Interpretation

- 1.1. In these Terms and Conditions and in the Purchase Order:
- 1.1.1. "OKHA" means Okha Interiors Proprietary Limited, Registration Number 2017/112096/07, a company with limited liability registered in accordance with the company laws of the Republic of South Africa and having its principal place of business at 109 Hatfield Street, Gardens, Cape Town, 8001;
- 1.1.2. "Client" means OKHA's client in respect of the Purchase Order. References to the Client will be deemed to include the Client's authorised representatives and beneficial owner, unless the context requires otherwise;
- 1.1.3. "Contract" means (i) the Purchase Order and (ii) these Terms and Conditions;
- 1.1.4. "Parties" means the Client and OKHA, and "Party" means either of them;
- 1.2. Headings will not affect the interpretation of the Purchase Order or these Terms and Conditions.

2. Sale and Purchase

- 2.1. OKHA agrees to sell the products described in the Purchase Order to the Client on the following terms.

3. Pricing

- 3.1. The pricing for the products is as stipulated in the Purchase Order.
- 3.2. All pricing is exclusive of any transport related costs and includes standard crating appropriate to the items and mode of transport requirements.
- 3.3. Any alterations, upgrades or amendments to packaging and/or crating will be for the Client's account, payable prior to dispatch.
- 3.4. OKHA pricing will be reviewed and updated annually, with exception to pricing anomalies, fluctuations in exchange rates, material availability, raw material cost inflations, labour costs, freight cost fluctuations, which OKHA may adjust without prior notice.

4. Quotation and Invoices

- 4.1. Quotes are valid for thirty (30) days (unless stated otherwise).
- 4.2. Quotes for custom items may take up to two (2) weeks or longer to compile due to the nature of the design process and manufacturing process.
- 4.3. All requests for modifications to products outside OKHA's standard specifications must be submitted by the Client in writing and shall be subject to OKHA's approval. Additional lead time and surcharge will apply.
- 4.4. Transport estimates are subject to change at any point of the order without prior notice. The Client is liable for any additional freight charges incurred by fluctuating freight rates, payable prior to dispatch of the order once final payment has been made.
- 4.5. OKHA will not be held liable for any fines/penalties, storage, freight charges, freight upgrades, compensation or installation charges incurred due to changes in pricing for freight charges.
- 4.6. OKHA will issue a non-binding pro-forma invoice in order to proceed with order.
- 4.7. OKHA begins production shortly after orders are placed. Therefore, we are only able to change your order if manufacturing has not already started. Once your order has been confirmed any request for subsequent changes must be sent in writing. OKHA does not guarantee that the requested change can be made. Any approved amendments will incur additional costs and an extension to the manufacturing lead time.
- 4.8. OKHA reserves the right to amend lead times, pricing, design, production methods, more of transport, location transport charges, specifications or finishes once invoiced, without prior notice.
- 4.9. A Tax Invoice will only be issued once Deposit payment is received.
- 4.10. OKHA shall not be liable for any errors or omissions made in quotations and/or invoices.

5. Payment

- 5.1. A deposit of 60% of the total proforma / quotation is required and receipt of these funds shall be a confirmation of your order aswell as your acceptance of the quotation/proforma and the Contract.
- 5.2. All payments are to be made in cash, electronic funds transfer (EFT) or wire transfer.
- 5.3. OKHA reserves the right to demand final payment prior to delivery and to levy storage costs, should there be any delays in payment and/or delivery/collection not occasioned by OKHA or its suppliers.
- 5.4. Proof of payment is not accepted as confirmation of payment and therefore production will not commence until funds reflect in OKHA's account.
- 5.5. OKHA is not liable for any delays in funds reflecting in OKHA's account. Production of the order will not commence until funds are received and reflect in OKHA's account. OKHA will not be held liable for any storage, freight charges, freight upgrades, compensation or installation charges caused by these delays.
- 5.6. Goods remain the property of OKHA until paid in full.

6. Production Lead Time

- 6.1. Production lead time for standard product orders is estimated to take fourteen (14) to sixteen (16) weeks, excluding packaging, crating, freight for warder collection or delivery time, payment, and/or approvals from the Client.
- 6.2. Lead time for custom orders will be of a longer duration. Custom drawings, once accepted, are part of the Contract, and no further changes are permitted. Production lead times start on your written acceptance of drawings.
- 6.3. The estimated lead time may be adjusted at any point in production.
- 6.4. During times of high demand, holidays, industry closure dates, public holidays and/or any other unforeseen events (Load shedding,acts of god etc.) may extend custom and standard lead times. OKHA shall inform the Client of any delays within a reasonable time of receiving knowledge of such delays.

- 6.5. When producing in South Africa lead times may be subject to extension from October and leading up the yearly December design industry holiday period (which generally falls between 15 December and 15 January).
- 6.6. When producing in Portugal, lead times may be subject to extension leading up to Europe's yearly industry holiday period in August (which generally starts the 1 August ends mid September).
- 6.7. In the case where the design drawings are not signed by the Client within the first week of receipt, OKHA will not be held liable for any delays or additional charges caused by these delays in approval and signed Order Confirmation, Quotation and/or drawings.

7. Delivery

- 7.1. OKHA shall deliver the products to the Client at the address supplied in writing in the Purchase Order.
- 7.2. OKHA will be deemed to have made delivery to the Client in full and proper compliance with OKHA's obligation to make delivery of the products in terms of this Contract if:
 - 7.2.1. the Client has accepted delivery of the products; or
 - 7.2.2. the products has been delivered to the Client, and
 - 7.2.2.1. the Client does anything in relation to the products that would be inconsistent with OKHA's ownership of it; or
 - 7.2.2.2. after the lapse of seven (7) days, the Client keeps the products without informing OKHA that delivery has been rejected.
- 7.3. The Client is responsible for the costs related to the delivery of the products.
- 7.4. OKHA shall provide the Client with a quotation for the delivery on receipt of the quotation from the transportation company.
- 7.5. The Client acknowledges that a delivery date given in advance is an estimation of delivery date and OKHA shall not be liable for delays resulting from any cause beyond its control.
- 7.6. Risk and ownership of the product transfers to the Client upon the freight carrier taking possession of the order for transport from OKHA or the supplier. Liability for damages occurring in transit is the owner's risk, and OKHA shall not be liable in this regard, the carrier is responsible for a complete inspection of the products at the point of collection, any visible damage evident to external packaging/crating must be noted on the bill of lading ("BOL"), the signed BOL is confirmation by the carrier that the products are in good condition at the time of collection and that it has accepted responsibility in respect thereof.

8. Cancellation

- 8.1. The Client shall not cancel any order once production has commenced, materials have been ordered.
- 8.2. OKHA is not liable to resell any order which is cancelled, place the order on consignment or sell the item within any time period if the item is accepted on consignment.

9. Returns, Refunds and Credits

- 9.1. Products sold may only be returned and refunded within 7 (seven) days of invoice date, upon presentation of the invoice and on condition that the products are returned undamaged and in their original condition.
- 9.2. The repair, replacement or refund is at the discretion of OKHA. OKHA may at any time choose to change the refund, replacement or repair to any of the options.
- 9.3. Where possible, the Client and OKHA should agree to reallocate the refundable amount to existing orders or apply a credit for allocation to future orders.
- 9.4. Furniture must not be returned without written permission from OKHA. Furniture returned to OKHA's showroom or factories without permission will be refused.
- 9.5. Credits may be applied to existing or new orders at OKHA's discretion.
- 9.6. OKHA may request immediate payment in full due to an existing order, while a credit is being held with OKHA.
- 9.7. International refunds can take up to thirty (30) days and a surcharge of 5% of value will be levied against the refund.
- 9.8. All applications for refunds made by the Client must be accompanied by any documentation required by OKHA, written instructions to refund, banking details, proof of account and a copy of the original Tax Invoice from OKHA to the Client.
- 9.9. OKHA shall only refund the Client to the total of the payment received from the Client (in full or in part). OKHA will not be liable for any claims with regards to penalties, refund of transport costs, or installation charges imposed to the Client.

10. Warranty

- 10.1. All of OKHA'S furniture is hand made to exceptionally high standards, using only quality tested materials. Your satisfaction with our products and the length of usage is therefore determined by how you care for and treat your furniture. In the unlikely event that your furniture piece suffers from a manufacturing defect, OKHA'S warranty (as summarised below) provides for the repair, replacement or refund of any faulty component.
- 10.2. Warranty period is 2 (two) years from date of receipt of final payment.
- 10.3. The repair, replacement or refund is at the discretion of OKHA. OKHA may at any time choose to repair, replace or refund the item. OKHA may at any time choose to change the refund, replacement or repair to any of the three options.
- 10.4. Lead times on replacement or repairs will be OKHA's standard lead time or longer. OKHA will not be held liable for any freight charges, freight upgrades, compensation or installation charges caused by this lead time.
 - 10.5. OKHA will be liable to honour a warranty should the below criteria be met:
 - 10.5.1. the original invoice is provided;
 - 10.5.2. The claim is made by the original purchaser,
 - 10.5.3. Sufficient information, images and documentation is provided to OKHA to fully assess the product.
 - 10.5.4. The defect did not arise due to misuse or abuse during or after delivery or collection,'
 - 10.5.5. The product was assembled or installed incorrectly.
 - 10.5.6. The product concerned was only used for its intended purpose within a domestic environment (how do we differentiate between private and commercial usage and cover ourselves according.
 - 10.5.7. Client is to supply OKHA with all finish specifications and drawing pertaining to the original order and photographs requested of the original order.
 - 10.6. It is the responsibility of the consignee to examine the item and clearly note, photograph and document the faults of the product. All information must be provided to OKHA within the warranty period in terms of clause 10.2.
 - 10.7. If the item is replaced, please note that OKHA shall not guarantee that the exact colour or style which you had purchased previously will still be available, and you will accept the replacement notwithstanding such colour or style and/or size variation if you wish to rely on the warranty.
 - 10.8. The warranty does not extend to or cover: -
 - 10.8.1. the fabric or leather used to upholster products, as upholstery is subject to wear and tear associated with use and aging.
 - 10.8.2. natural or engineered stone due to the nature of the material.
 - 10.8.3. powder coating due to the climate/environment the finish is subjected to.
 - 10.8.4. raw metal finishes due to natural oxidization being part of metal's natural life cycle.
 - 10.8.5. timber staining due to wear and tear associated with usage and aging.
 - 10.8.6. glides due to wear and tear associated with usage.
 - 10.8.7. glass due to wear and tear associated with usage and aging.

OKHA

OKHA

11. Limited Liability

- 11.1. OKHA will not be held liable for delays resulting from Client late communication, payment, sign-off, final payment, COM/COL, deliveries, alterations or modifications (be it within or outside of OKHA's control).
- 11.2. OKHA will not be held liable for any fines/penalties, storage, freight charges, freight upgrades, compensation or installation charges incurred due to any delays, changes in pricing, design, lead times, materials, crating or transport of custom items. 11.3. OKHA takes no responsibility for the final outcome, performance or any complications which may occur during the quoting, design, production, production methods, location, packaging, crating or transport of custom items.
- 11.4. OKHA is not liable for any damage caused to items during storage thereof.
- 11.5. OKHA reserves the right to refuse to fabricate using certain materials.
- 11.6. Any defects which appear on a product once received, which is not evident during OKHA's final quality check, will be for the Client's account to rectify and any associated costs will be for the Client's account.
- 11.7. It is the responsibility of the Client to ensure that the correct cleaning method is used. Any cleaning, maintenance or remedial works are to be completed by a professional. OKHA shall not be held liable for improper cleaning methods of products.
- 11.8. OKHA products are hand made and will vary in finish, dimension, design and structure between orders/batches. OKHA shall not be held liable for any damages of any nature whatsoever due to these variations.
- 11.9. Images of the products on OKHA's website are for illustrative purposes only.
- 11.10. OKHA shall not guarantee that any screen display will display the colours accurately or reflect the colours of the product finishes.
- 11.11. Many wood, marble and metal finishes are applied by hand and may vary in colour tone and character. While our manufacturers make every effort to match a finish, no guarantee can be made of an exact match.
- 11.12. All drawings, descriptive matter, weights dimensions, descriptions and illustrations contained OKHA.com are close approximations only and intend to give a general description of the goods and shall not form part of this Contract.
- 11.13. No contestation or refusal of merchandise will be accepted in.

12. Force Majeure

- 12.1. OKHA shall not be liable for any failure to deliver any of the products and/or services due to unforeseen causes beyond OKHA's control, such causes include, but are not limited to, pandemics, epidemics, earthquakes, strikes, fires, floods, labour disputes, civil unrest, war, accidents, military disturbances, acts of terrorism, loss of malfunction of utilities, power failures, computer failures, an inability to obtain labor and transportation, an inability to obtain raw materials or supplies, excessive demand for product over the available supply, customs, duties or surcharges, any interruption for any reason in the manufacture or supply of components or other products by OKHA's suppliers, any act of god, or the action of any government.
- 12.2. If OKHA is able to partially perform, OKHA shall attempt to allocate deliveries among its similar Clients in a commercially reasonable manner, OKHA shall have the right, in the event of the above circumstances, to cancel delivery or any part thereof without resulting liability, it being understood that OKHA shall use reasonable efforts which are consistent with accepted practices in the Banking industry to resume performance as soon as practicable under the circumstances.
- 12.3. The Client is not allowed to use any OKHA branding / Images / Drawing / Project Images (taken by OKHA or by self), without permission.

13. Ownership of Documents and Confidentiality

- 13.1. Copyright of all documents prepared by the Designer in accordance with the relevant provisions of the copyright Act (Act 98 of 1978) relating to the Project shall be vested in the Designer. The Client shall be entitled to use the documents or copy them only for the purposes for which they are intended in regard to the Project and need not obtain the Designer's permission to copy for such use.
- 13.2. The ownership of data and factual information collected by the Designer and paid for by the Client shall, after payment by the Client, lie with the Client.
- 13.3. The Client shall have no right to use any documents prepared by the Designer whilst the payment of any fees and expenses due to the Designer in terms of the Contract is overdue.
- 13.4. Both parties shall keep all commercially sensitive information obtained by them in the context of the Contract confidential and shall not divulge it without the written approval of the other Party.

14. Notices and Domicilium

- 14.1. The parties choose as respective addresses for service of any documents, the addresses set out in the relevant order.

15. Costs

- 15.1. In the event of either party having to institute legal or arbitration proceedings against the other for any reason whatsoever and/or for the recovery of any amounts due in terms of this Contract, the successful party shall be entitled to costs on the scale as between attorney and own Client, including collection commission.

16. General

- 16.1. Personal Information
- 16.1.1. Your submission of personal information through the store is governed by our Privacy Policy. To view our Privacy Policy.
- 16.2. Governing law
- 16.2.1. Law governing the Contract shall be the law of the Republic of South Africa.
- 16.3. Language
- 16.3.1. The language of the Contract and of all communications between the Parties shall be English.
- 16.4. Succession and assignment
- 16.4.1. The Parties shall not be capable to cede or assign the Contract (whether in whole or in part) without the written consent of the other.
- 16.5. No waiver of rights
- 16.5.1. No indulgence granted by one party to the other shall prejudice or constitute a waiver of the rights of the grantor.
- 16.6. Sole agreement
- 16.6.1. The Contract constitutes the sole agreement between the Parties for the performance of the Services and no representation not contained therein shall be of any force or effect. The terms and conditions may be changed by OKHA at any time, without prior notice.

SHIPPING

17. Freight

- 17.1. Delivery duty paid (DDP)
- 17.2. OKHA undertakes all responsibility in taking care of all delivery formalities, including payment for all the costs associated with the delivery of goods right up until they get to the named place of destination.
- 17.3. The Client is responsible for unloading at the end destination. Before ordering from OKHA, it is the Client's responsibility to ensure the ability to receive the products ordered. This includes ensuring that the products ordered will pass freely into the Client's home, can be transported through the door of the Client's home or room, stairs and doorways, and there are no other issues that could make delivery more complicated or impossible. The freight charge covers a single delivery at ground level during normal weekday delivery hours.
- 17.4. The Client is responsible for checking that all orders are in good condition within 48 hours of delivery.
- 17.5. Any shipments returned as a result of the Client's unexcused delay or failure to accept delivery will require the Client to pay all additional costs incurred, including storage fees. Damages occurring in-transit and delivery must be noted within 48 hours of delivery. All damages must be noted on the delivery waybill, failure to do so will result in an unsuccessful insurance claim and OKHA shall not be held liable for any costs, compensation, refund or replacement.
- 17.6. If the Client selects their own freight carrier, freight claims must be filed directly with their marine insurance provider. OKHA shall not be liable for the Client's own or third party freight damage and claim. Nor will OKHA take any part in the claim process or communication with the freight company or claims department, other than providing standard OKHA documentation directly to the Client.
- 17.7. The success of the Client's own or third party freight claim will remain with the Client. Should the claim be unsuccessful, OKHA will not be held liable for any costs, compensation, refunds or replacement.
- 17.8. DELIVERY AT PLACE (DAP)
- 17.9. OKHA shall be responsible for taking care of all formalities until the port of destination, excluding payment for all the costs associated with the delivery of goods. The Client will be liable for payment of the delivery costs, including but not limited to customs and taxes.
- 17.10. The Client shall be responsible for the unloading, the customs clearance, duties, taxes, and insurance.
- 17.11. EX WORKS
- 17.12. All orders manufactured and supplied from South Africa, shall by law, incur a 15% VAT charge, should the Client choose to utilize their own or third party freight.
- 17.13. The Client will have ten (10) working days to collect any order, from date of formal notice from OKHA. Thereafter, OKHA will proceed to invoice a weekly storage fee, in accordance with the size, weight, location and handling costs associated with the storage of the item. These fees must be paid in full prior to the release of the item.
- 17.14. OKHA reserves the right to refuse to manage the transport of any OKHA order, at any time, resulting in the order being treated as EX Works.
- 17.15.

18. Packaging

- 18.1. The Client must confirm his/her packaging of choice, pricing will be applicable to the Client's preference. The Client shall pay all additional charges should his/her packaging and crating requirements fall outside of OKHA's standard packaging.
- 18.2. Any associated delays caused by communications, alterations/upgrades to packaging and crating shall be excluded from OKHA's lead time, any fines/penalties, freight charges, freight upgrades, compensation or installation charges incurred due to these delays.
- 18.3. OKHA recommends timber crating for all items being exported. Should the Client specify a means of packaging/crating below this standard, the order will be treated as EX WORKS and all associated communication, documentation, payments and management of the shipment will be the responsibility of the Client. OKHA is not responsible for managing, supervising, providing remedial/repair works for damaged items which have been transported EX WORKS.
- 18.4. The measurements indicated including weights, dimensions and capacities provided by OKHA are approximate only. OKHA shall not be liable for any additional fees incurred by freight handlers should the estimated weights, dimensions and capacities provided not match the physical item.

19. Insurance

- 19.1. The insurance cover is based on retail value. Should the Client provide his/her own materials the Client will be responsible to provide such estimated cost to OKHA for inclusion in the retail value for insurance purposes.
- 19.2. Any refund or replacement subject to an insurance claim will only take place after approval of the claim.
- 19.3. OKHA will not be held liable for any fines/penalties, freight upgrades, compensation or installation charges incurred due to damages.
- 19.4. Damages occurring in-transit and delivery must be noted within 48 hours of receipt. All damages must be noted on the delivery waybill, failure to do so will result in an unsuccessful insurance claim and OKHA will not be held liable for any costs, refund, compensation or replacement.
- 19.5. It is the responsibility of the consignee to examine the shipment and note damages or exceptions on the waybill in the driver's presence.
- 19.6. For repair/remedial works, OKHA may at any time, refuse to cover costs of repair/remedial works sourced by the Client if the workmanship is not to standard or beyond our insurance claim amount. The Client is solely responsible for the outcome of any repair/remedial works which are not done by an OKHA approved manufacturer / repairman. OKHA shall not be held liable for any repair/remedial works which are completed by manufacturer/ repairman who is not an approved OKHA manufacturer.
- 19.7. All damages are to be supplied to OKHA via email with the following:
- 19.8. Full description of damages
- 19.9. Images of the exterior of the crate from all angles (front, back, left and side, right hand side, top and underside)
- 19.10. Images of the interior of the crate
- 19.11. Images of the damaged product (front, back, left and side, right hand side, top and underside, close up of damage, and an image of the full item showing the area of damage)
- 19.12. If the furniture claim does not meet the warranty criteria stated above, then the costs (if any) of delivery and collection of the product(s) concerned, as well as the storage of them, will be for the Client's expense, and the products will only be released upon payment of those costs.

OKHA

OKHA

MATERIAL

20. Stone

- 20.1. OKHA accepts no risk associated with utilising stone and risks in shipping natural stone.
- 20.2. OKHA shall not be liability for any costs, fines or compensation for breakages.
- 20.3. Any requests for replacement/remake of items/elements (which are not associated with a defective product or shipping damages) will incur additional costs for the Client's account.
- 20.4. Any stone, including marble, granite and limestone, are products of nature, and no two pieces are exactly alike.
- 20.5. Stone selections are made at the discretion of OKHA and the appointed manufacturer with considerations of stone characteristics, fractures and material wastage.
- 20.8. Standard practice by stone masons is to strengthen any fractures with liquid epoxy. These fractures will remain visible.
- 20.9. A sample of stone shows only a small portion of the slab, therefore it is impossible for the image of the sample to be repeated across the surface area of the slab. OKHA does its best to select slabs as close to the provided samples of the material, however, as it is natural stone, OKHA shall not be liable for variations in the colour and/or pattern in the material. Most natural stone material, by nature, has pits and fissures which is a signature that is a natural product. These pits and fissures are not considered imperfections and OKHA shall not be held liable for any repairs or replacement due to natural variations.
- 20.10. Should the Client specify a custom stone or material, OKHA reserves the right to reject any material which it feels is inappropriate.
- 20.11. OKHA shall not be liable for the suitability, variation or cost implications of a Client-specified custom stone or material.
- 20.12. OKHA shall not be liable for stone fractures or colour variations from one slab to another.
- 20.13. OKHA shall not be liable for mishandling by the client or third parties. All damages to natural stone after delivery by OKHA, will be for the clients account.
- 20.14. The seam placement is at the discretion of OKHA, seam will be visible to the eye and touch. Every effort will be made to ensure that the seam is placed in the best location for aesthetics and structural integrity. It is impossible to match colour or veining when seaming two pieces of stone together.
- 20.15. Colour coordinated epoxy will be used to fill the seam to blend with the countertop. The location and number of seams is a function of manufacturing and installation.
- 20.16. OKHA uses a high-quality sealer. Although this sealer is meant to protect the stone it does not guarantee against staining. Polished marble is especially susceptible to acids and any spills should be immediately cleaned up.
- 20.17. OKHA makes no warranties implied or expressed as to stain resistance or imperviousness of the products to scratches and etching.
- 20.18. It is recommended that marble be resealed every six (6) to eighteen (18) months, by a professional.
- 20.19. By purchasing any product the Client agrees to this disclaimer.

21. Stone Care

- 21.1. All sealants do not make this product impenetrable but allows for limited time to clean after spillage of various liquids.
- 21.2. Clean stone with a clean, slightly damp cloth and then dry with a soft towel. A damp cloth and a small amount of soapy water for heavy residue or debris.
- 21.3. Never leave a chemical, citric or acidic item or substance on stone. Avoid ammonia, bleach, cleaning solvents or caustics, as these will remove the sealant.
- 21.4. Bleach, acidic cleaners or any abrasive house hold cleaners will result in etching and dullness in the stone.
- 21.5. Any additional cleaning, polishing or restorative works on stone are to be completed by a professional.

22. Timber

Timber is a natural product, therefore, grain patterns, colouration and texture may vary between individual timber elements. The timber used by OKHA is a very characterful wood and no uniformity tone or colour throughout the wood is guaranteed. It is the character of timber and not a fault/defect.

- 22.1. As timber is a natural product, it will react to humidity by movement within the timber in unpredictable directions.
- 22.2. Temperature and humidity variations will result in expanding and contracting of timber, these changes will be noticeable in the physical appearance of the product. Movements and cracks are a natural occurrence for timber and is not a fault/defect. OKHA will not be liable for any replacement, remedial works or compensation for any such natural occurrences in timber.
- 22.3. Wood will absorb stain at different rates and therefore variation in staining may appear between timber section, as well as on the same plank.
- 22.4. OKHA is not liable for variations in timber tone variations, grain variations, stain variations, timber texture variations, timber movement, timber cracking, and/or natural anomalies.
- 22.5. OKHA accepts no risk or liability associated with utilising timber and no liability for any costs, fines or compensation for breakages. Any requests for replacement/remake of items/elements (which are not associated with a defective product or shipping damages) will incur additional costs for the Client's account.
- 22.6. OKHA takes no responsibility for any structural integrity of a timber element which is utilised outside of items standard use and/or strength constraints.
- 22.7. By purchasing any product you agree to this disclaimer.

23. Timber Care

- 23.1. Wood furniture should be dusted as often as needed using a fine furniture dusting cloth. Use a soft, lint free, absorbent cloth such as a dry micro fibre cloth and always work with the grain of the wood.
- 23.2. Clean up spills immediately, use a blotting action rather than a wiping action.
- 23.3. Avoid placing furniture in direct sunlight, as sunlight causes fading and timber movement. Avoid extremes in room humidity too high or too low humidity can cause wood to warp or the glue lines to fail or direct aircon.
- 23.4. We advise you to keep the product in consistent, stable conditions to minimize the affects of temperature and moisture change in the atmosphere.
- 23.5. Avoid extreme changes in temperature and arrange furniture away from radiators, fireplaces, and air-conditioning units.
- 23.6. Avoid placing plastic or rubber objects on a wood finish, as their ingredients react with those of the finish. Use pads, cloth or felt to protect the furniture surface from plastic, rubber, hot dishes, beverages, bookends, flower pots, and vases.
- 23.7. Lift and place objects, do not drag them across the furniture surface.
- 23.8. No products which contain wax, silicone or petroleum-distillate solvents may be utilized on timber.
- 23.9. Any additional cleaning, waxing or restorative works on timber are to be completed by a professional.

24. Metal

- 24.1. All metals has the opportunity to age/rust and oxidize based on natural environmental changes.
- 24.2. Avoid extremes in humidity, as it may cause natural aging/rusting and oxidization. This is not a fault/defect, but a natural occurrence of raw metals.
- 24.3. OKHA takes no responsibility for any structural integrity of a metal element which is utilized outside of items standard use and/or strength constraints.
- 24.4. OKHA accept no risk associated with utilising metal and no liability for any costs, fines or compensation for breakages. Any requests for replacement/remake of items/elements (which are not associated with a defective product or shipping damages) will incur additional costs for the Client's account.
- 24.5. OKHA takes no responsibility for aging/rust or oxidization of any metal component once dispatched from OKHA's facilities.

25. Metal Care

- 25.1. Metal should be dusted as often as needed using a fine dusting cloth. Use a soft, lint free, absorbent cloth such as a dry micro fibre cloth.
- 25.2. Prevent stains by mopping spillages as soon as they occur to avoid permanent marks.
- 25.3. Avoid using abrasive cleaning products to prevent damaging the surface of any metal item. Test any cleaning product on a small area first, and read direction label before using the product.
- 25.4. Any additional cleaning, polishing or restorative works on metal are to be completed by a professional.

26. Fabric

- 26.1. Certain fabrics may acquire new characteristics.
- 26.2. All fabrics used by OKHA in the following list is by no means exhaustive and we recommend that any natural characteristics be fully acknowledged by the Client:
- 26.2.1. Textured or piled fabrics may flatten. Fabric pile (notably velvet) may distort with use, packaging and transport (wrapping). OKHA takes not responsibility for any distortion of any fabric from use, packaging/wrapping or transport.
- 26.2.2. Any fabric, particularly linen, will stretch/sag. Linen may crease easily.
- 26.2.3. Flat weaves, Boucle and large weaves may pill or bobble.
- 26.3. All fabrics will eventually fade. To reduce natural fading, protect the item from harsh, direct sun light.
- 26.4. Silk, in general, has low light-fast characteristics and no claims will be accepted for fading. Upholstery fabrics should be kept out of direct sunlight.
- 26.5. Whilst loose covers that are too loose are unsightly, the fit and outcome any upholstered item is subject to the scale, size and design of the furniture piece, as well as the fabric applied to the design. Upholstery of furniture pieces is done as such to avoid tearing of seams and stress on fixing points of the fabric to the framework.
- 26.6. All fabric will stretch from use and therefore will not resemble the same fit as when the item was new.
- 26.7. OKHA is not liable for these changes in the fabric and upholstery after use (from such time as the item is delivered) and any cost associated with updating the fit of upholstery will be for the Client's account.
- 26.8. All seams are placed at the discretion of OKHA and the manufacturer, in accordance with the design and usability of the fabric. Any discrepancy in reference to OKHA product images, reference images or product renders any warrantee and/or liability of OKHA void.
- 26.9. Any cleaning, steaming, heating, reupholstery, or restorative works on upholstery are to be completed by a professional.

27. Fabric Care

- 27.1. The Client must consult the manufacturer of the fabric for washing instructions, unique to that fabric.
- 27.2. Cleaning instructions must be adhered to in relation to temperature, washing, drying and ironing methods. All woven fabrics, particularly those made from natural fibers such as cotton and linen, will shrink to some extent.
- 27.3. Furnishing fabrics will shrink during washing, sometimes as much as 5-6%.

28. Leather

- 28.1. Leather is a natural product produced as a byproduct of animal hides (mostly cows steer and water buffalo). Leather will always have natural markings such as brand, insect bites, scars fat wrinkles, stretch marks, abrasions and burns. These natural markings are not considered faults/defects.
- 28.2. Some natural markings may be less evident in leathers that have had the top grain altered via sanding processes and then covered up with pigments. These leathers tend to be more uniform in colour and texture but sacrifice the natural softness and raw beauty of the product.
- 28.3. Most high quality leathers are only stained with translucent dyes that allow all the natural beauty of the leather to show including the markings mentioned above. In addition to these distinct characteristics, the leather may also vary (some-times excessively) in dye lot colouration. Much like the staining of wood products.
- 28.4. Some leathers such as "pull-ups" (leather with waxes and oils pressed into the surface) are created to enhance this dye variation and will become extreme as the leather is pulled over upholstered frames.
- 28.5. It is the policy of OKHA to accept no returns or replacements on products purchased for any reason where the cause is due to the nature of the product.
- 28.6. Whilst loose covers that are too loose are unsightly, the fit and outcome any upholstered item is subject to the scale, size and design of the furniture piece, as well as the leather applied to the design. Upholstery of furniture pieces is done as such to avoid tearing of seams and stress on fixing points of the fabric to the framework.
- 28.7. All leather will stretch from use and therefore will not resemble the same fit as when the item was new.
- 28.8. OKHA is not liable for these changes in the leather and upholstery after use (from such time as the item is delivered) and any cost associated with updating the fit of upholstery will be for the Client's account.
- 28.9. All seams are placed at the discretion of OKHA and the manufacturer, in accordance with the design and usability of the leather. Any discrepancy in reference to OKHA product images, reference images or product renders any warrantee and/or liability of OKHA void.
- 28.10. Any cleaning, steaming, heating, reupholstery, or restorative works on upholstery are to be completed by a professional.
- 28.11. By purchasing any product you agree to this Disclaimer

29. COM/COL

- 29.1. Client Own Material ("COM") may only be dispatched upon OKHA's instruction and must be labeled in accordance to OKHA specified label for identification once received.
- 29.2. All COM must be shipped with DDP Incoterms. All destination charges (duties, clearance, Taxes or Vat) are for the Client's account and are not payable by OKHA.
- 29.3. Delay in receiving COM will result in a delay in production. Revised lead times will be calculated upon recipe of the COM.
- 29.4. OKHA shall not be held liable for any delays in receiving COM, resulting in delays in the project.
- 29.5. Any penalties incurred due to a delay in receipt of COM will be for the Client's account and OKHA shall not be held liable for costs incurred. OKHA will not be held liable for any freight charges, freight upgrades, compensation or installation charges caused by these delays.
- 29.6. OKHA will supply a delivery/label reference which must appear on the packaging of the COM, as well as the delivery waybill. The delivery/label reference is directly related to the order. Should the provided delivery/label reference not be including on the packaging or shipping documents, OKHA shall not be held liable for any loss or delay of the fabric, or delays incurred on the project due to these delays.

OKHA

OKHA

- 29.7. Tracking must be provided to OKHA, in the form of a copy of the waybill.
- 29.8. OKHA will not be liable for any loss /replacement due to incorrect or no labelling and/or tracking provided.
- 29.9. OKHA will not be liable for replacement should the incorrect fabric/leather/dye lots be provided for manufacture by the Client.
- 29.10. It is the policy of OKHA to accept no returns or replacements on products purchased for any reason where the cause is due to the nature of the product.
- 29.11. COM samples to be sent to OKHA for approval of suitability for purpose. OKHA to provide address details (project specific).
- 29.12. OKHA shall not be held liable or guarantee suitability for the purpose of any fabric supplied by the Client. OKHA shall not be held liable for the final outcome of upholstery utilising COM, any fabric fault/defect, including but not limited to loosened, stretched seams, visible seams, undesirable seams, seam placement/alignment, rippling, undulations, colour and grain matching, denting/impressions, or detailing. If necessary, additional seams, pleating, panels, fabric direction, or change in stitching may be applied without notice from OKHA.
- 29.13. OKHA can request at any point, a sample to be sent to OKHA.
- 29.14. OKHA shall not be held responsible for pattern matching should the design of the product not allow.
- 29.15. OKHA shall not be held liable for faults/defects which may be present in fabric supplied by the Client.
- 29.16. OKHA specifies fabric requirements based on a standard width of 1.4m width fabrics. Any fabric which may be supplied by the Client which does not fall within the standard width used (1.4 meters) will result in additional fabric required to complete the item, at the cost of the Client. All costs incurred will be for the Client's account, including the costs of the fabric, all transport related costs, any costs incurred due to delays.
- 29.17. The Client is warned that after-treatments may alter the fabrics in respect of resistance to abrasion; tear strength; breaking strength; seam slippage/ splitting; colour; light fastness and resistance to change in colour by rubbing, and cleaning methods.
- 29.18. OKHA shall not accept liability for the performance, durability or finish of fabrics which are given any sort of treatment subsequent to purchase.
- 29.19. The entire responsibility is that of the Client for ensuring that after such processing the fabric remains a satisfactory quality for its intended purpose.
- 29.20. OKHA reserves the right to request additional COM or change the COM requirements at any time (during quoting, invoicing, production), if the product requires. All associated costs of COM, transport, clearance and duties will be for the Client's account. OKHA will not be held liable for any freight charges, freight upgrades, compensation or installation charges caused by any delays due to this adjustment and lead time of additional COM.
- 29.21. By purchasing any product you agree to this Disclaimer.
- 29.22. Client Own Leather ("COL") may only be dispatched upon OKHA's instruction and must be labeled in accordance to OKHA specified label for identification once received.
- 29.23. All COL must be shipped with DDP incoterms. All destination charges (duties, clearance, Taxes or Vat) are for the Client's account and are not payable by OKHA.
- 29.24. Tracking must be provided to OKHA, in the form of a copy of the waybill.
- 29.25. Delay in receiving COL will result in a delay in production. Revised lead times will be calculated upon receipt of the COL.
- 29.26. Any penalties incurred due to a delay in receipt of COL will be for the Client's account and OKHA shall not be held liable for costs incurred. OKHA will not be held liable for any freight charges, freight upgrades, compensation or installation charges caused by these delays.
- 29.27. OKHA will supply a delivery/label reference which must appear on the packaging of the COL, as well as the delivery waybill. Should the provided delivery/label reference not be including on the packaging or shipping documents, OKHA shall not be held liable for any loss or delay of the fabric, or delays incurred on the project due to these delays.
- 29.28. OKHA will not be liable for any loss /replacement due to incorrect or no labelled and/or tracking provided.
- 29.29. COL samples to be sent to OKHA/Manufacturer for approval of suitability for purpose. OKHA to provide address details (project specific).
- 29.30. OKHA will not be liable for replacement should the incorrect fabric/leather/dye lots be provided for manufacture by the Client.
- 29.31. OKHA cannot guarantee the result of any leather supplied by the Client. OKHA shall not be held liable for the final outcome of upholstery utilizing COL, any leather defect or failing. If necessary, additional seams, pleating, panels, grain direction, or change in stitching may be applied without notice from OKHA.
- 29.32. OKHA shall not be held responsible for colour/texture matching of leather, due to the natural variation of colour and texture in a single hide/batch of hides.
- 29.33. OKHA can not be held liable for defects which may be present in leather supplied by the Client. These defects may appear on the completed item.
- 29.34. OKHA specifies leather requirements based on a standard area of a hide at 4.5-5.5 square meters. Any leather hides which may be supplied by the Client which does not fall within the standard area size will result in additional leather required to complete the item, at the cost of the Client. All costs incurred will be for the Client's account, including the costs of the leather, all transport related costs, any costs incurred due to delays.
- 29.35. OKHA reserves the right to request additional/change the COL requirements at any time (during quoting, invoicing, production), if the product requires. All associated costs of COL, transport, clearance and duties will be for the Client's account. OKHA will not be held liable for any freight charges, freight upgrades, compensation or installation charges caused by any delays due to this adjustment and lead time of additional COL.

30. Samples

- 30.1. ALL samples prior to the current year are redundant and must be discarded by the Client.
- 30.2. Should any prior year sample be approved by the Client for a current or future orders, it is the responsibility of the Client to inform and update OKHA of this by means of providing a clear image of the front and back of the sample and/or releasing the sample to OKHA's specified location to match.
- 30.3. OKHA takes no liability for incorrect samples being shown and approved by the Client.
- 30.4. OKHA takes no responsibility for alteration and variations between the current sample and final finished product as these changes can be due to the environmental elements and conditions noted above (pt 2) or due to incorrect handling and/or improper cleaning of samples or product.
- 30.5. Variations will occur with all samples and final product finishes. All natural products will vary in colour, texture, tone, grain and stain application and absorption.
- 30.6. Samples are an industry standard size; larger samples can be requested and will be charged accordingly.
- 30.7. Should you require additional samples, please formally request via email the sample names, description and quantities from an OKHA Sales Consultant. Additional samples and freight thereof will be for the Client's account. All associated packaging and transport costs of samples will be for the Client's account.
- 30.8. OKHA is not responsible for the lead time of samples, as well as any associated delays incurred by the lead time of manufacturing, approving and transporting of the sample. OKHA will not be held liable for any freight charges, freight upgrades, compensation or installation charges caused by these delays.

OKHA

+27 21 461 7233
info@okha.com
okha.com

109 Hatfield Street
Gardens
Cape Town
8001
South Africa

OKHA